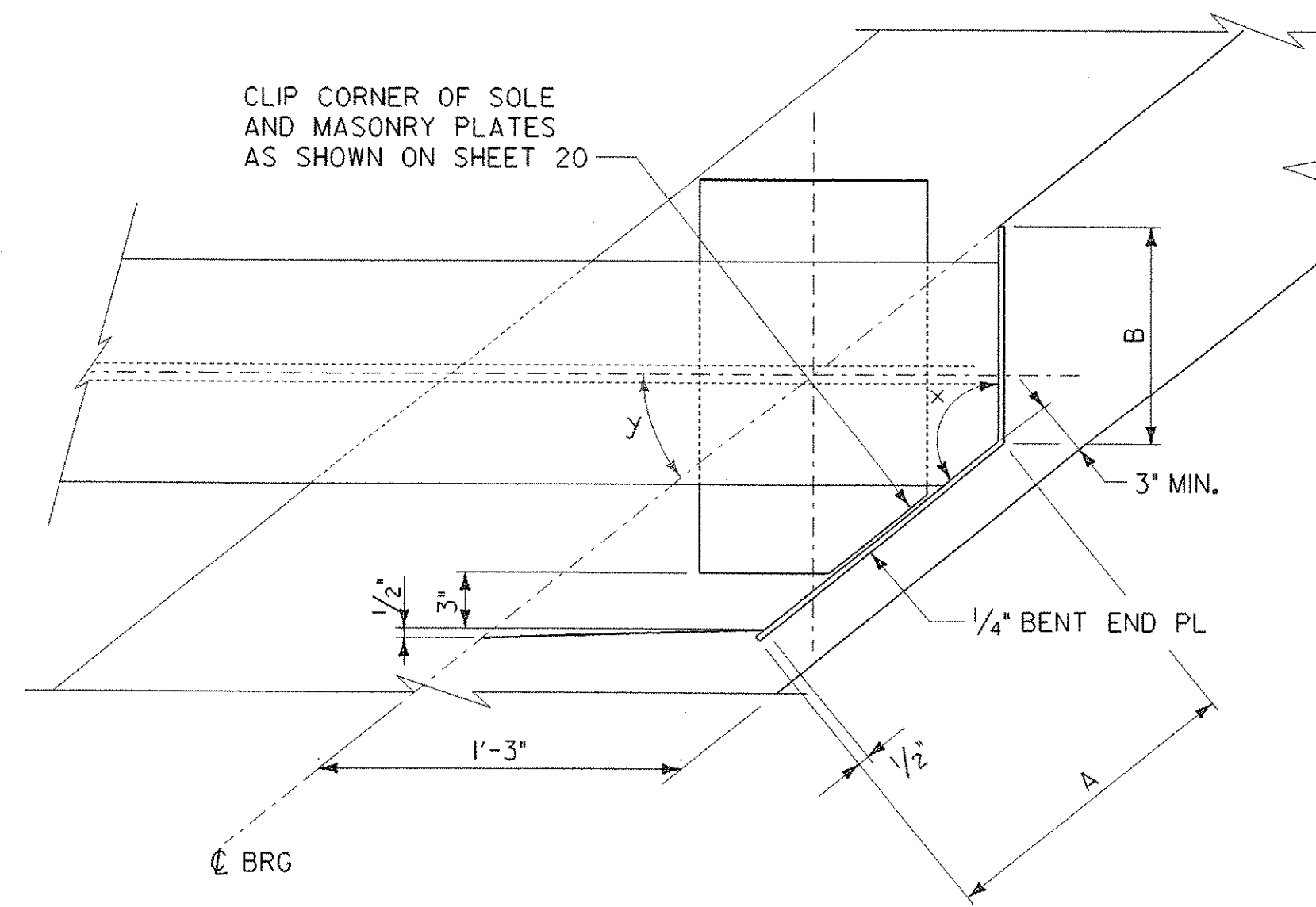
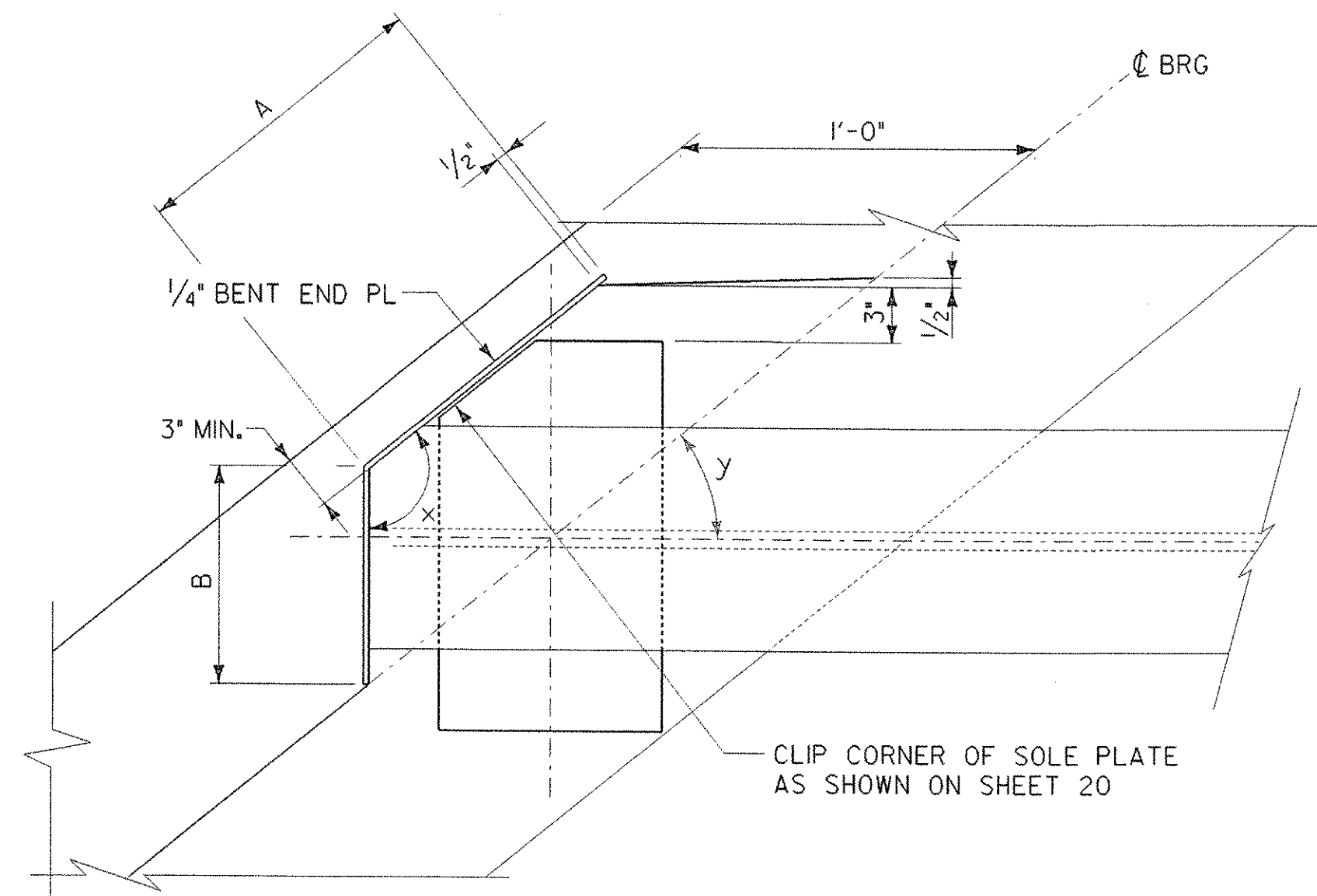


PLAN - B1  
SCALE: 1/2" = 1'-0"

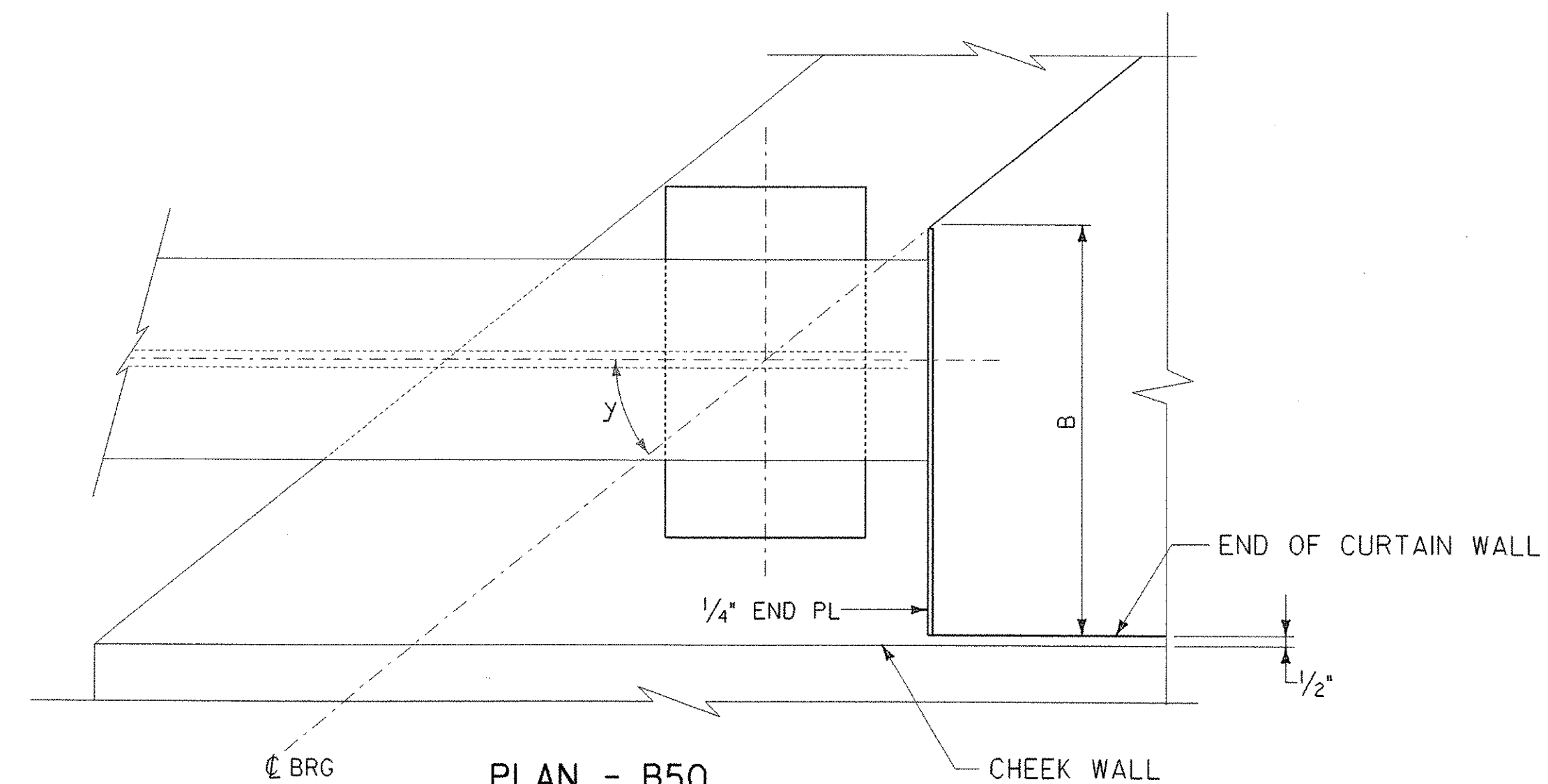


PLAN - B46, B47, B48 & B49  
SCALE: 1/2" = 1'-0"

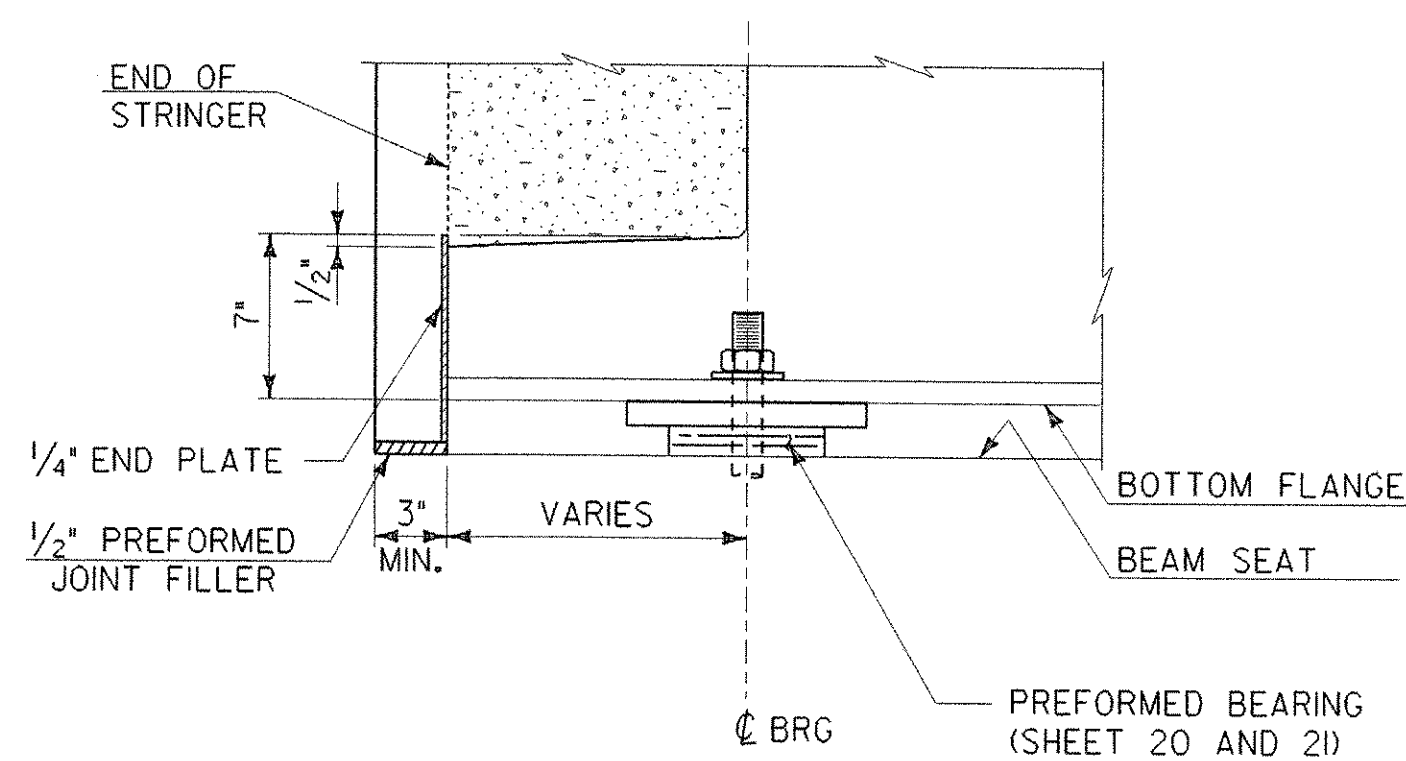
NOTES:  
1. SOLE PLATE WILL REQUIRE ONE CORNER TO BE CLIPPED TO CLEAR CURTAIN WALL. FOR DETAILS AND DIMENSIONS OF THE CLIP, SEE SOLE PLATE PLAN - FIXED, BEARING DETAILS SHEET 20.



PLAN - B2, B3, B4 & B5  
SCALE: 1/2" = 1'-0"

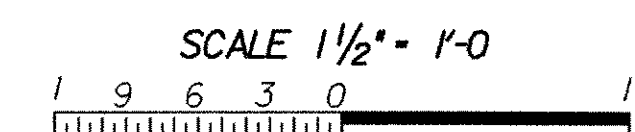


PLAN - B50  
SCALE: 1/2" = 1'-0"



STRINGER BOXOUT DETAILS  
SCALE: 1/2" = 1'-0"

| END PLATE SCHEDULE |           |            |                 |                |
|--------------------|-----------|------------|-----------------|----------------|
| BEAM               | A         | B          | x               | y              |
| B1                 | -         | 2'-0 3/8"  | -               | -              |
| B2, B3 & B4        | 1'-2 7/8" | 1'-0 5/8"  | 134°-37'-04.45" | 44°-37'-04.45" |
| B5                 | 1'-2 1/6" | 1'-0 3/4"  | 135°-08'-37.22" | 45°-08'-37.22" |
| B46                | 1'-2 1/2" | 1'-2 3/8"  | 123°-17'-23.52" | 33°-17'-23.52" |
| B47, B48 & B49     | 1'-2 1/4" | 1'-2 3/8"  | 124°-05'-00.02" | 34°-05'-00.02" |
| B50                | -         | 1'-10 3/8" | -               | -              |



STATE OF VERMONT  
AGENCY OF TRANSPORTATION

|  |                             |
|--|-----------------------------|
| Town Of HARTLAND                                       | Bridge No. 38               |
| Highway No. 1-91                                       | Log Sta.                    |
| BRIDGE END AND MISCELLANEOUS<br>DETAILS (SHEET 2 OF 2) |                             |
| Designed By S. YONGHO                                  | Drawn By R. J. FERRANTE     |
| Checked By S. YONGHO                                   | Date FEB. 2001              |
| Bridge Design Supervisor<br>E. JOHNSTON Date FEB. 2001 |                             |
| PROJECT HARTLAND                                       | PROJECT NO.<br>IM 091-1(36) |
| Drawing Name za272be2.dgn                              | Sheet 18A of 85             |

STONE & WEBSTER, INC.

10-DEC-2002

v:\Struc\working\za272be2.dgn