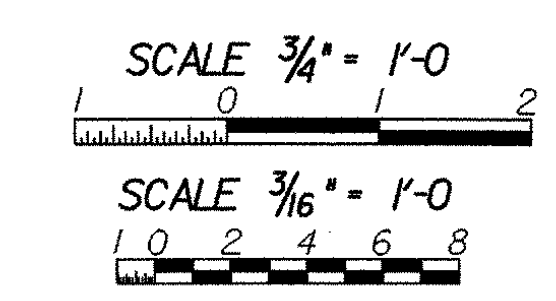
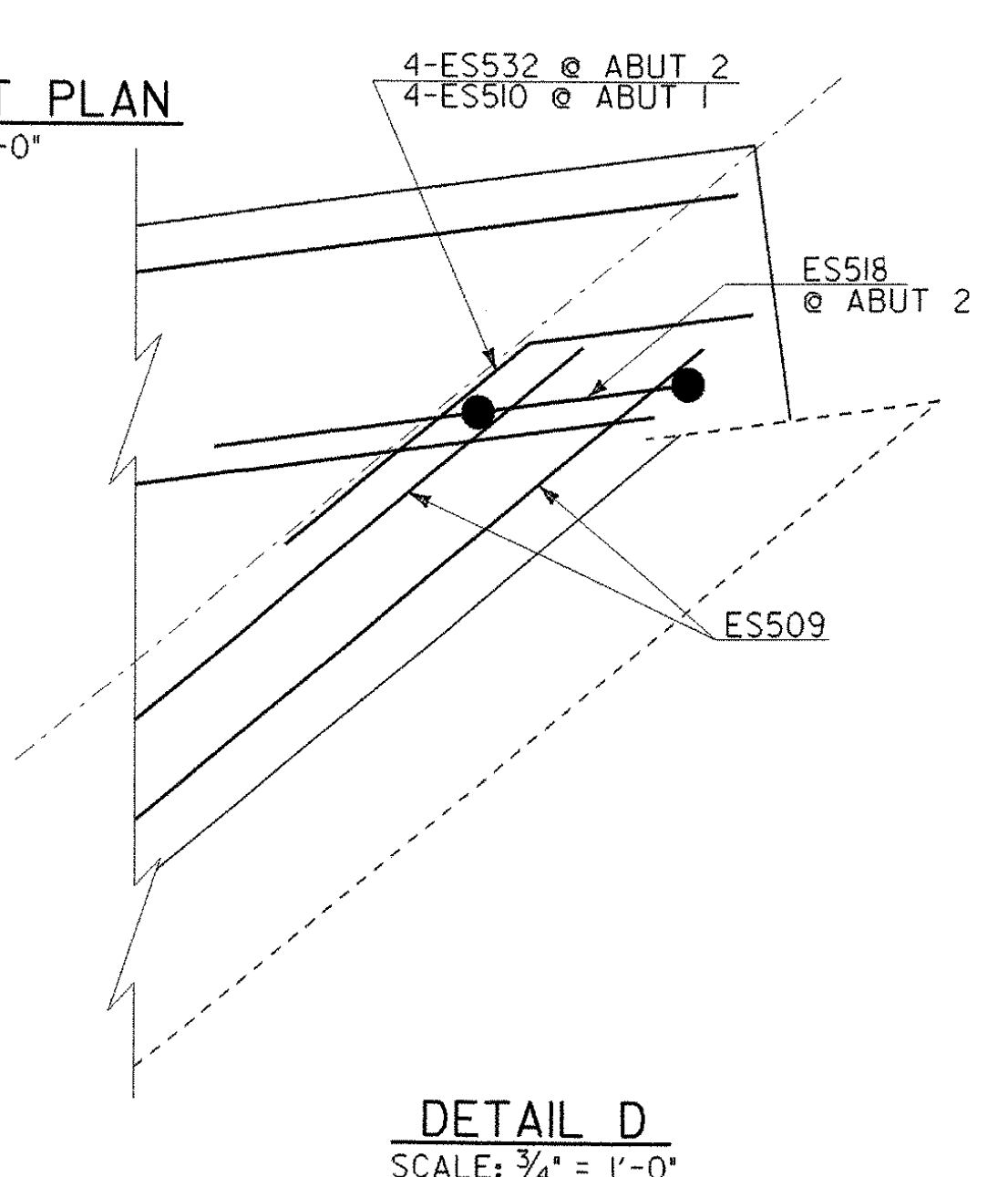
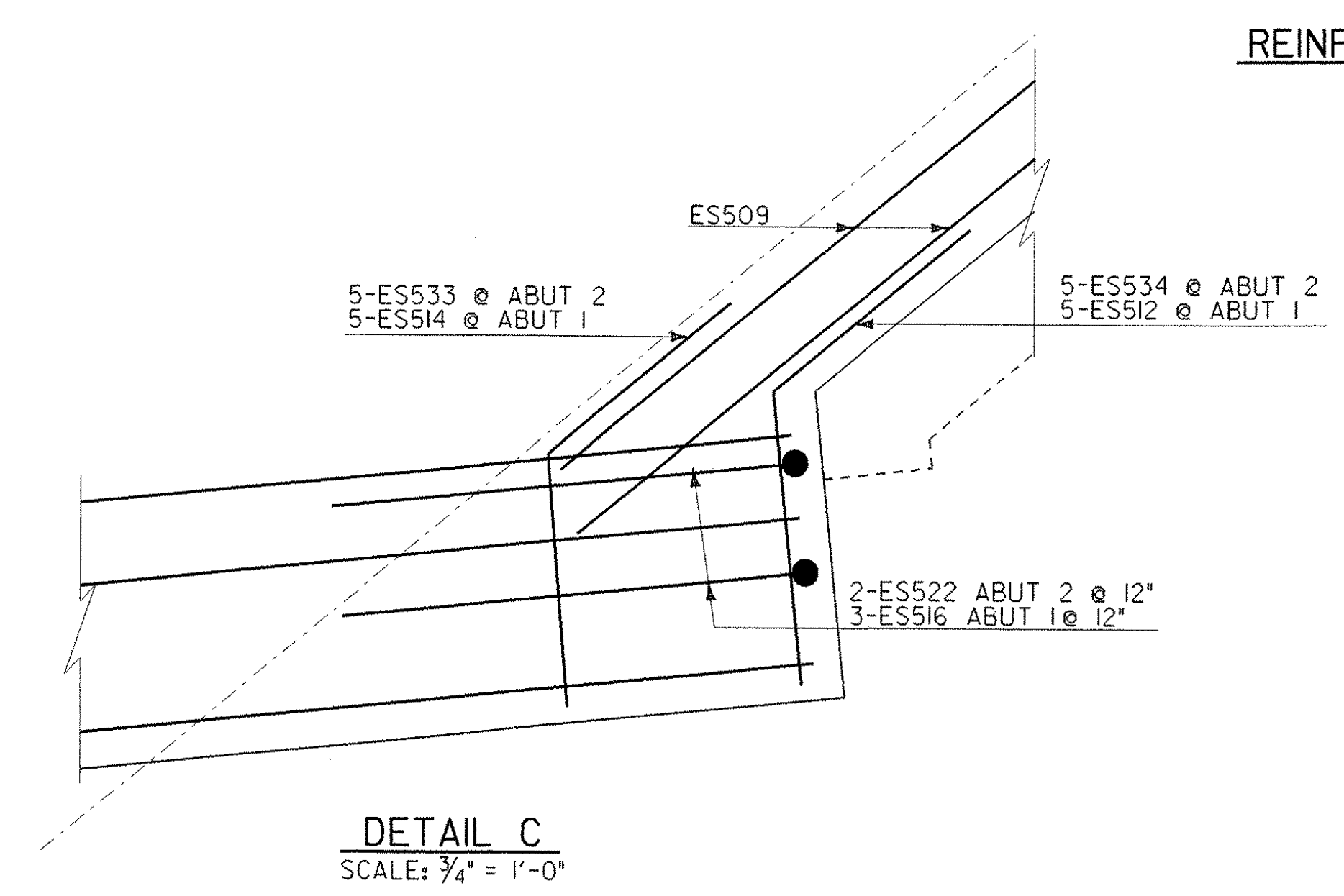
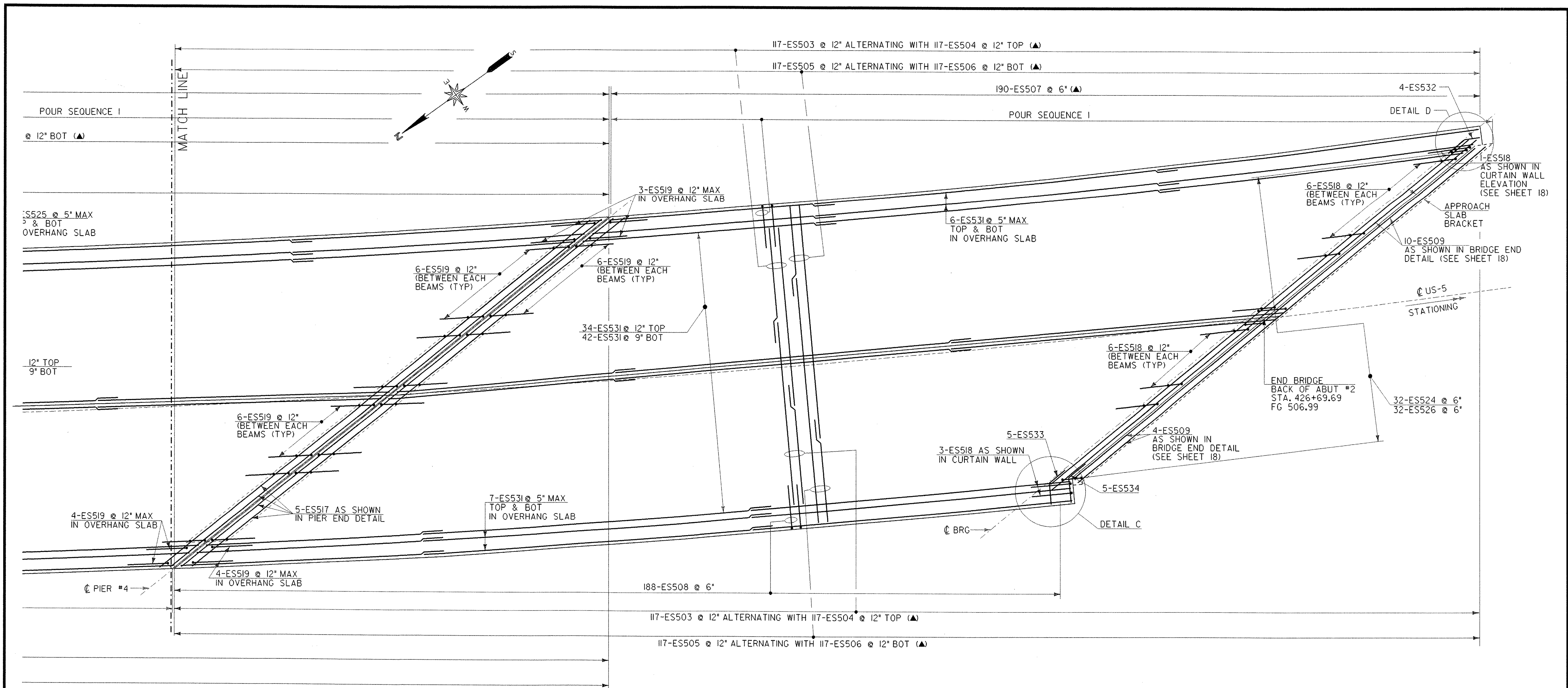


v:\Struct\working\za272dr3.dgn 04-FEB-2003



STONE & WEBSTER, INC.

<b>STATE OF VERMONT AGENCY OF TRANSPORTATION</b>	
Town Of HARTLAND	Bridge No. 38
Highway No. 1-91	Log Sta. Surv. Sta.
DECK REINFORCEMENT & DETAILS	
SHEET 3 OF 3	
Designed By S. YONGHO	Drawn By N. HERRERA
Checked By E. JOHNSTON	Date DEC 2000
Bridge Design Supervisor E. JOHNSTON Date FEB. 2001	
PROJECT HARTLAND	PROJECT NO. IM 091-1(36)
Drawing Name za272dr3.dgn	
Bridge Sheet No.	Sheet 17 of 85