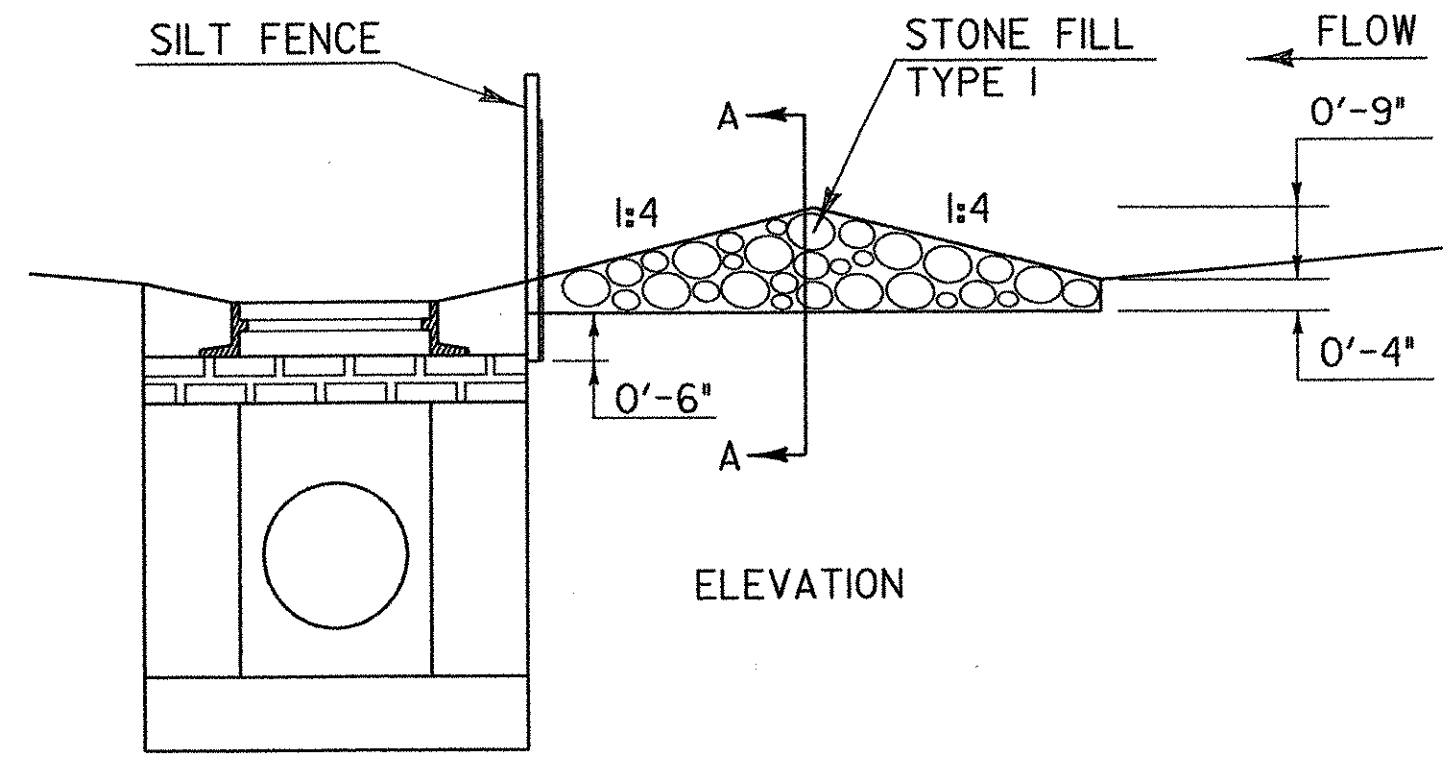
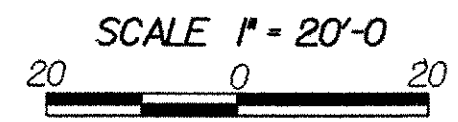


SEDIMENT AND EROSION CONTROL PLAN
SCALE: 1" = 20'-0"

DITCHLINE ROCK CHECK DAMS
NOT TO SCALE

LEGEND
 - - - - - LIMIT OF FILL
 - - - - - GEOTEXTILE FILTER FABRIC (SILT FENCE)

- CONSTRUCTION NOTES:**
1. REFER TO STANDARD DRAWING T-1 FOR SILT FENCE DETAILS.
 2. PRIOR TO EARTHWORK ACTIVITIES, INSTALL GEOTEXTILE FILTER FABRIC AT LOCATIONS SHOWN. THE FABRIC SHALL BE ON THE UPHILL SIDE OF ALL WOOD POSTS. THE FABRIC SHALL BE ANCHORED IN A 6" TRENCH.
 3. FILTER FABRIC SHALL NOT BE PLACED ACROSS ANY STREAM OR SWALE.
 4. CONTRACTOR SHALL CLEAN ALL SILT/DEBRIS FROM FENCE ON A MONTHLY BASIS.
 5. CONTRACTOR SHALL REMOVE FILTER FABRIC AFTER ALL SEEDING/MULCHING IS COMPLETED, OR AT THE DIRECTION OF THE ENGINEER.



DROP INLET ROCK CHECK DAM
NOT TO SCALE

- NOTES:**
- * L = THE DISTANCE SUCH THAT POINTS A AND B ARE OF EQUAL ELEVATION.
 - * SEDIMENT SHOULD BE REMOVED IF DEPTH REACHES HALF THE ORIGINAL HEIGHT OF ROCK CHECK DAM.
 - * ROCK CHECK DAMS SHOULD BE REMOVED AFTER PERMANENT VEGETATION HAS ESTABLISHED.
 - * GEOTEXTILE SHOULD BE USED UNDERNEATH STONE TO IMPROVE STABILITY AND ASSIST IN REMOVAL.
 - * LARGER STONE MAY BE REQUIRED FOR ROCK CHECK DAMS THAT ARE LOCATED ON STEEPER SLOPES. THIS STONE SHOULD BE PLACED ON THE DOWN STREAM HALF OF THE ROCK CHECK DAM FOR SUPPORT.
 - * ALL WORK NEEDED FOR CONSTRUCTION AND REMOVAL OF THE ROCK CHECK DAMS WILL BE PAID FOR UNDER THE FOLLOWING ITEMS.
 - * THE SILT FENCE SHALL BE PAID FOR UNDER ITEM 649.51 "GEOTEXTILE FOR SILT FENCE".
 - * THE 3/4" STONE AND STONE FILL, TYPE I, WILL BE PAID FOR UNDER ITEM 613.10 "STONE FILL, TYPE I (MOD) (ROCK CHECK DAMS)".
 - * THE GEOTEXTILE FILTER FABRIC UNDER THE STONE FILL SHALL BE PAID FOR UNDER ITEM 649.31 "GEOTEXTILE UNDER STONE FILL".
 - * SEED AND HAY MULCH SHALL BE PAID FOR UNDER THEIR INDIVIDUAL ITEMS 651.15 AND 651.25.

STATE OF VERMONT			
AGENCY OF TRANSPORTATION			
Town Of	HARTLAND	Bridge No.	38
Highway No.	1-91	Log Sta.	
		Surv. Sta.	
SEDIMENT AND EROSION CONTROL			
PLAN			
Designed By	J. BARRACK	Drawn By	N. HERRERA
Checked By	J. BARRACK	Date	DEC. 2000
		Bridge Design Supervisor	E. JOHNSTON Date FEB. 2001
PROJECT	HARTLAND	PROJECT NO.	IM 091-1(36)
Drawing Name	za272ecs.dgn	Bridge Sheet No.	Sheet 13 of 85

STONE & WEBSTER, INC.

04-FEB-2003
w:\civil\working\za272ecs.dgn