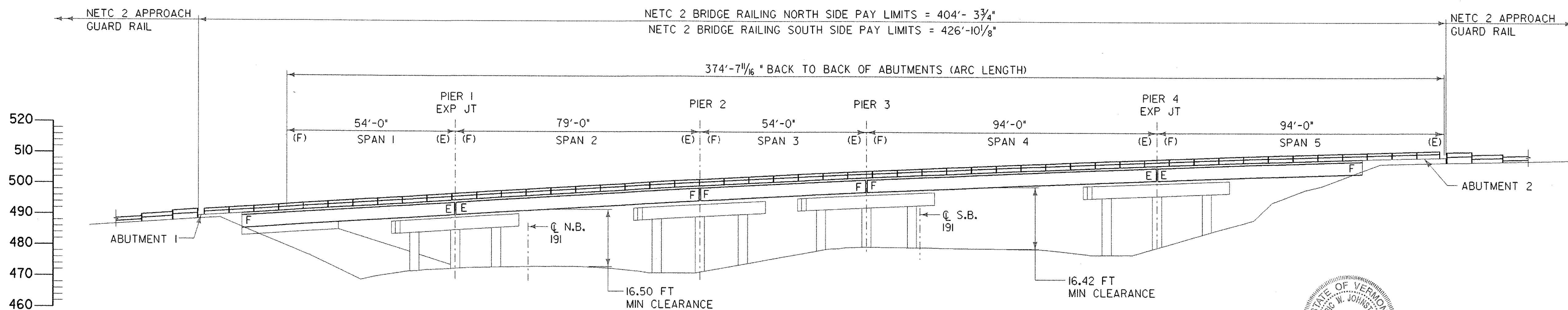
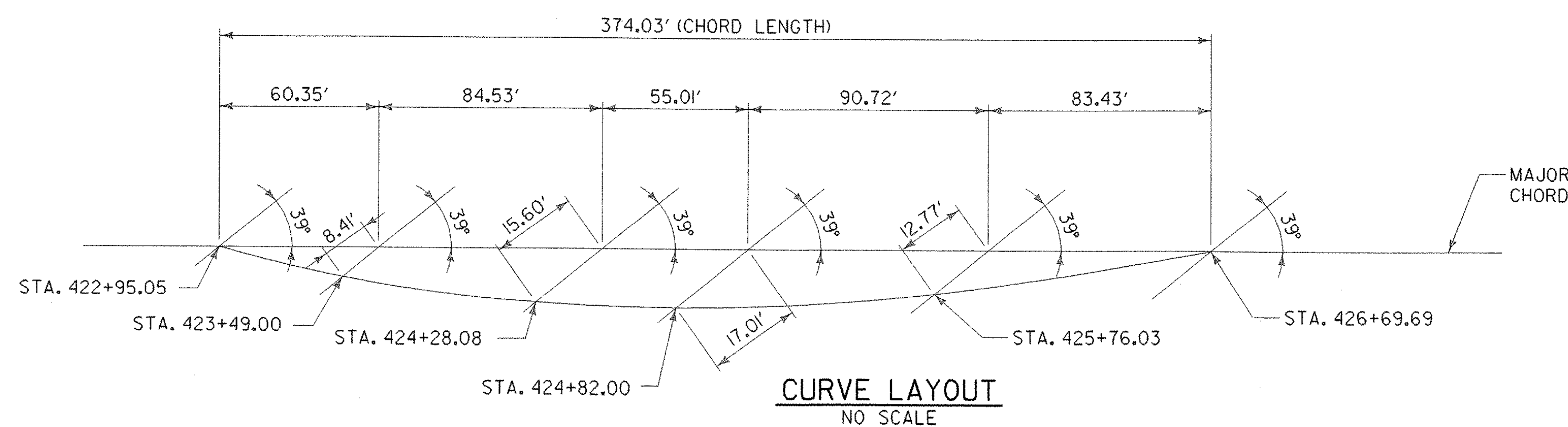


PLAN
SCALE: 1"=20'



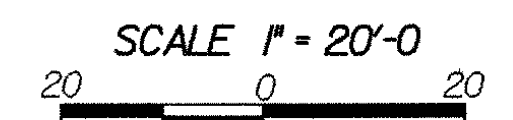
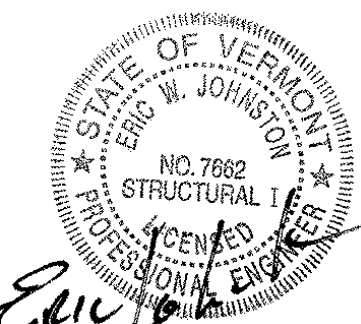
ELEVATION
SCALE: 1"=20'



CURVE LAYOUT
NO SCALE

NOTES:

1. STATIONING IS NOT IN ACCORDANCE WITH STANDARD VTRANS PROCEDURE BUT HAS BEEN SELECTED TO MAINTAIN CONSISTENCY WITH THE ORIGINAL BRIDGE PLANS.
2. REFER TO THE LAYOUT SHEET (SHEET 6) FOR NEW HORIZONTAL ALIGNMENT DATA.
3. REFER TO THE PROFILE SHEET (SHEET 7) FOR NEW VERTICAL PROFILE DATA.
4. THE VERTICAL DATUM USED IS THE 1998 NAVD DATUM, THE ORIGINAL BRIDGE VERTICAL DATUM WAS THE NGVD 1929 DATUM.
5. STATIONS ARE BASED ON SURVEY DATA. PIER 3 ORIGINAL BRIDGE STATION WAS HELD.
6. EXPANSION/FIXED BEARING LOCATIONS NOTED (E) AND (F) ARE FOR THE EXISTING CONDITION ONLY. "E" AND "F" AT THE BEAM ENDS DENOTE THE FINAL BEARING TYPE.
7. DECK EXPANSION JOINTS OCCUR ONLY AT PIERS 1 & 4. THE DECK WILL BE CONTINUOUS OVER PIERS 2 & 3. DECK CLOSURE POURS OVER PIERS 2 & 3 SHALL BE PLACED AFTER THE DECK HAS BEEN PLACED IN SPANS 2, 3, AND 4. FOR CLOSURE DETAILS REFER TO SHEETS 15 - 17



**STATE OF VERMONT
AGENCY OF TRANSPORTATION**

Town of HARTLAND	Bridge No. 38
Highway No. 1-91	Log Sta.
Surv. Sta.	
GENERAL PLAN AND ELEVATION	
Designed By E. JOHNSTON	Drawn By N. HERRERA
Checked By E. JOHNSTON	Bridge Design Supervisor E. JOHNSTON
Date DEC. 2000	Date FEB. 2001
PROJECT HARTLAND	PROJECT NO. IM 091-1(36)
Drawing Name za272gpe.dgn	Sheet 12 of 85
Bridge Sheet No.	

STONE & WEBSTER, INC.

04-FEB-2003

v:\Struc\working\za272gpe.dgn