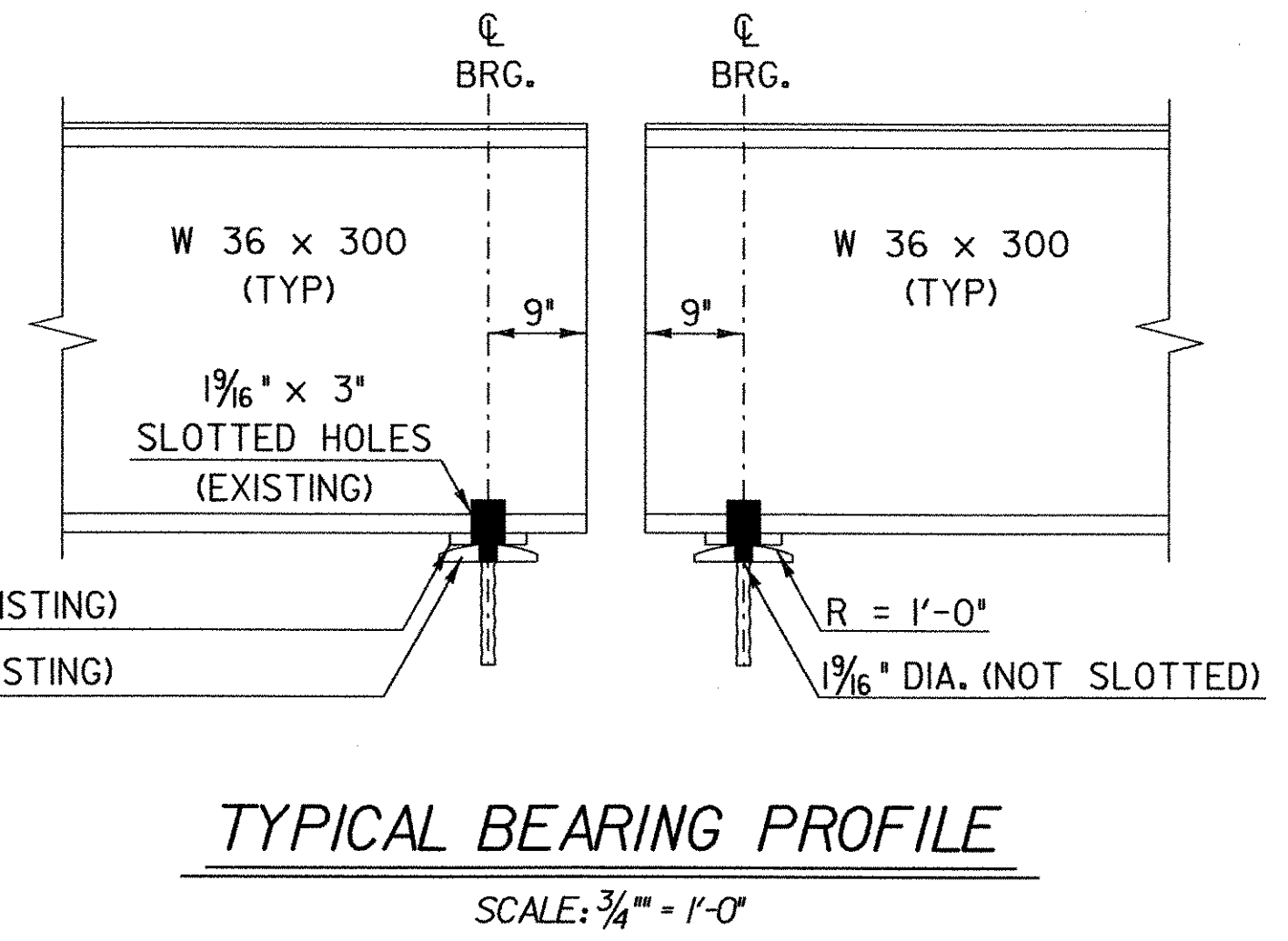
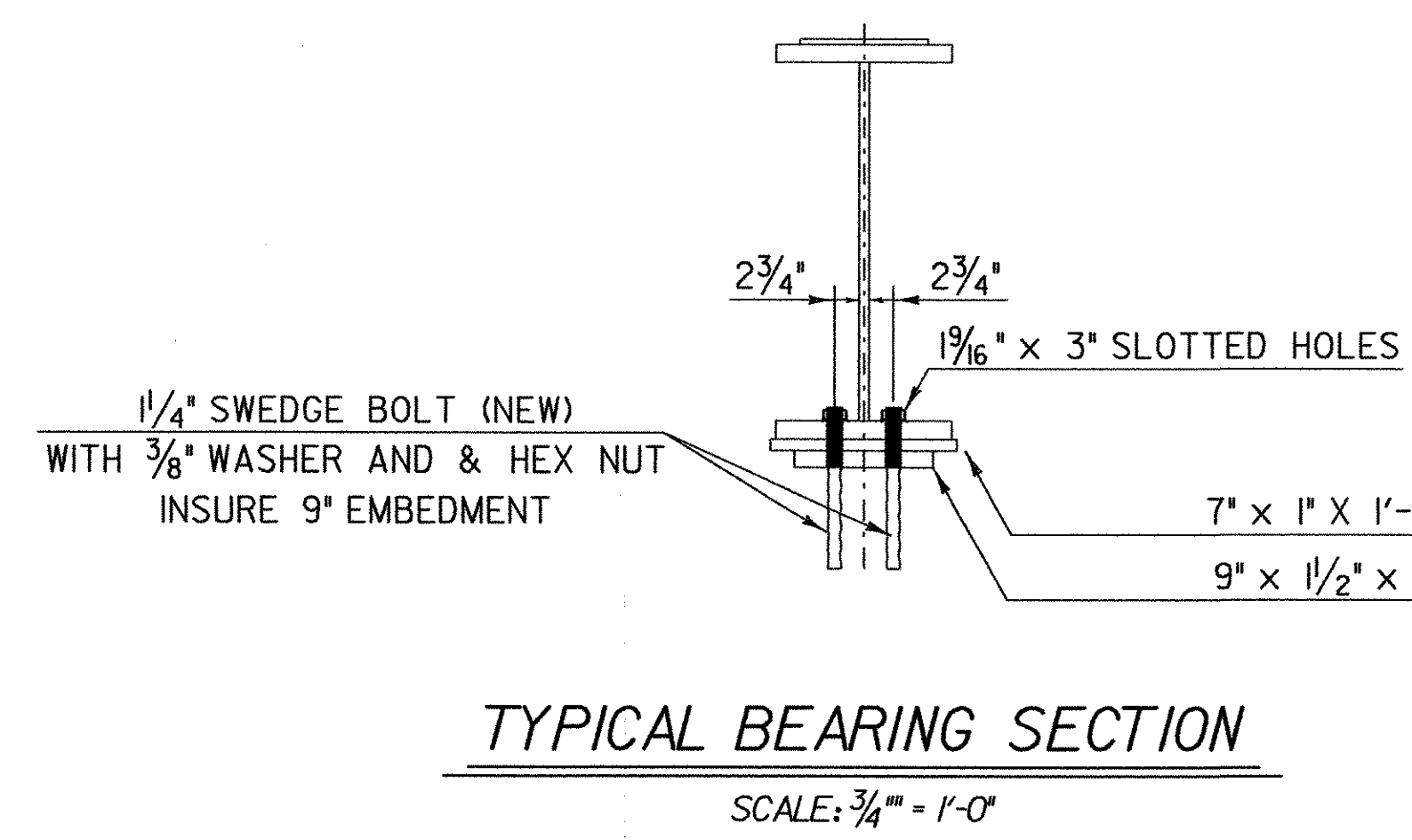
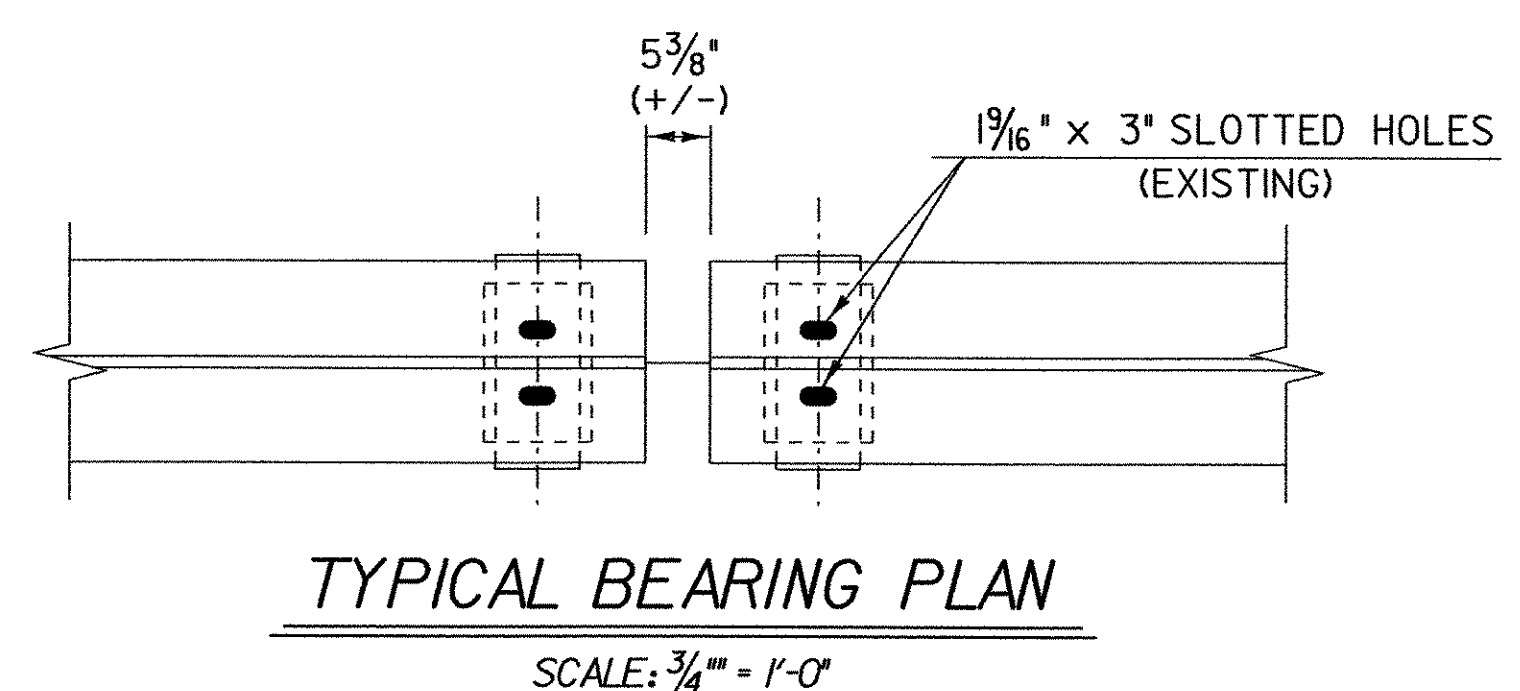
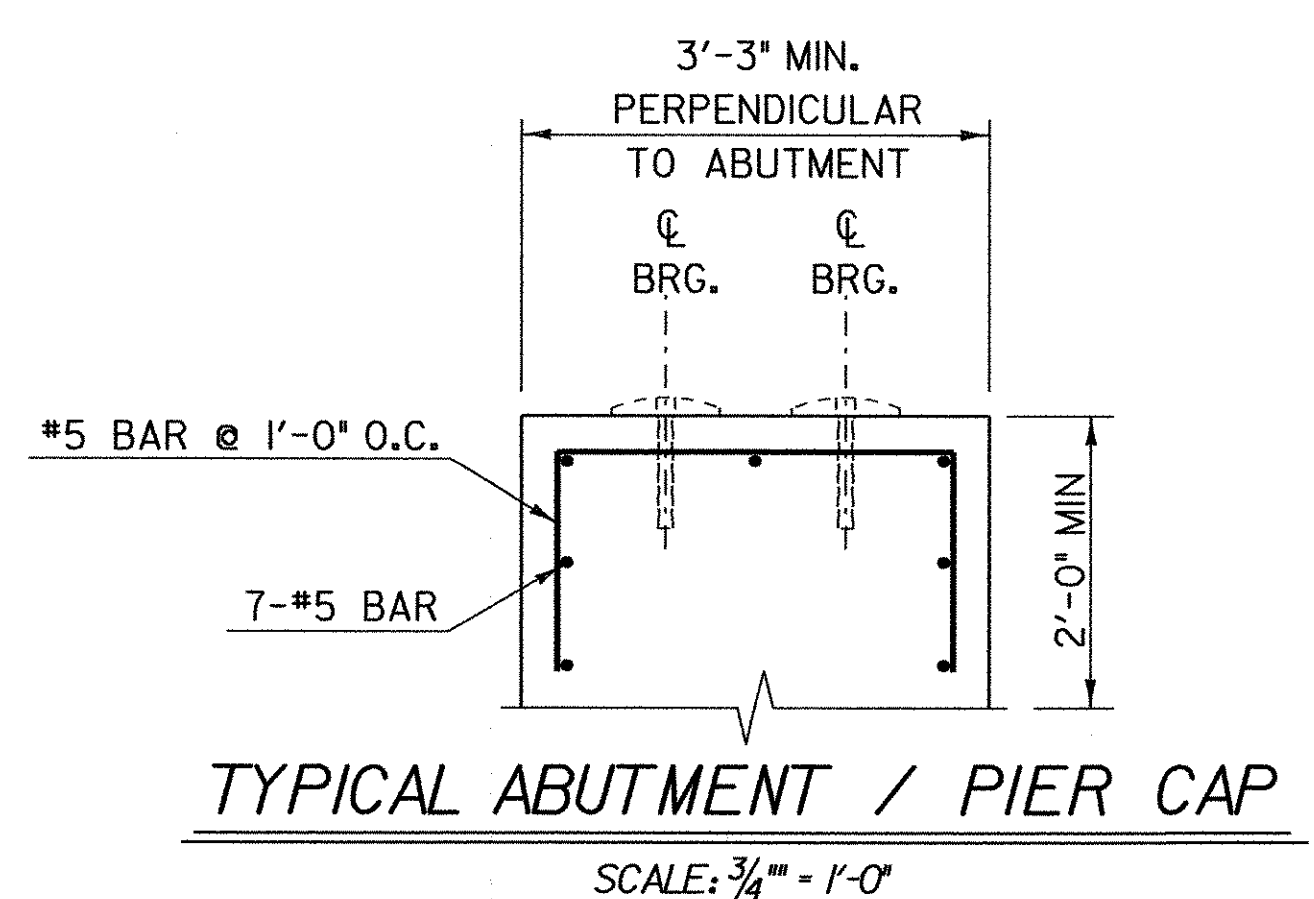


TEMPORARY DETOUR FRAMING PLAN
SCALE: 1" = 5'-0"



BEAM NO.	LOCATION	STATION	LENGTH (C. BRG. - C. BRG.)	TOTAL LENGTH
6	SPAN 2	104+58.10 - 105+55.10 LT	97.00 (97'-0")	98.50 (98'-6")
7	SPAN 2	104+51.55 - 105+48.55 LT	97.00 (97'-0")	98.50 (98'-6")
8	SPAN 2	104+45.00 - 105+42.00 C/L	97.00 (97'-0")	98.50 (98'-6")
9	SPAN 2	104+38.45 - 105+35.45 RT	97.00 (97'-0")	98.50 (98'-6")
10	SPAN 2	104+31.90 - 105+28.90 RT	97.00 (97'-0")	98.50 (98'-6")
11	SPAN 3	104+10.05 - 104+56.15 LT	46.10 (46'-1 1/4")	47.60 (47'-7 1/4")
12	SPAN 3	104+03.50 - 104+49.50 LT	46.10 (46'-1 1/4")	47.60 (47'-7 1/4")
13	SPAN 3	103+96.95 - 104+43.05 C/L	46.10 (46'-1 1/4")	47.60 (47'-7 1/4")
14	SPAN 3	103+90.40 - 104+36.50 RT	46.10 (46'-1 1/4")	47.60 (47'-7 1/4")
15	SPAN 3	103+83.85 - 104+29.95 RT	46.10 (46'-1 1/4")	47.60 (47'-7 1/4")
21	SPAN 5	105+57.05 - 105+61.75 LT	4.70 (4'-8 1/2")	**7.20 (7'-2 3/8")
22	SPAN 5	105+50.50 - 105+61.75 LT	11.25 (11'-3")	**13.75 (13'-9")
23	SPAN 5	105+43.95 - 105+61.75 C/L	17.80 (17'-9 5/8")	**20.30 (20'-3 5/8")
24	SPAN 5	105+37.40 - 105+61.75 RT	24.35 (24'-4 1/4")	**26.85 (26'-10 1/4")
25	SPAN 5	105+30.85 - 105+61.75 RT	30.90 (30'-10 3/4")	**33.40 (33'-4 3/4")

**NOTE: TOTAL BEAM LENGTH INCLUDES ADDITIONAL FOOT (12") TO PROVIDE FOR PANEL SPACING

TEMP. BRIDGE FRAMING PLAN - SHEET 2 OF 2

PROJECT NAME: HARTLAND
PROJECT NUMBER: IM 091-(136)

FILE NAME: /99A272/STR/SA272FRA.DGN
PROJECT LEADER: S. FARNSWORTH
DESIGNED BY: FOWLER/UPMAL
sa272fr2.1

PLOT DATE: 03-FEB-2003
DRAWN BY: K. UPMAL
CHECKED BY: M. FOWLER
SHEET IIC OF 85