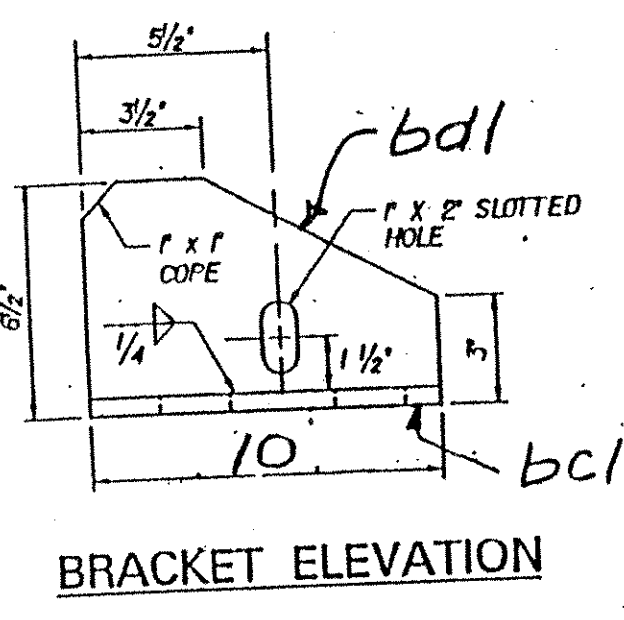
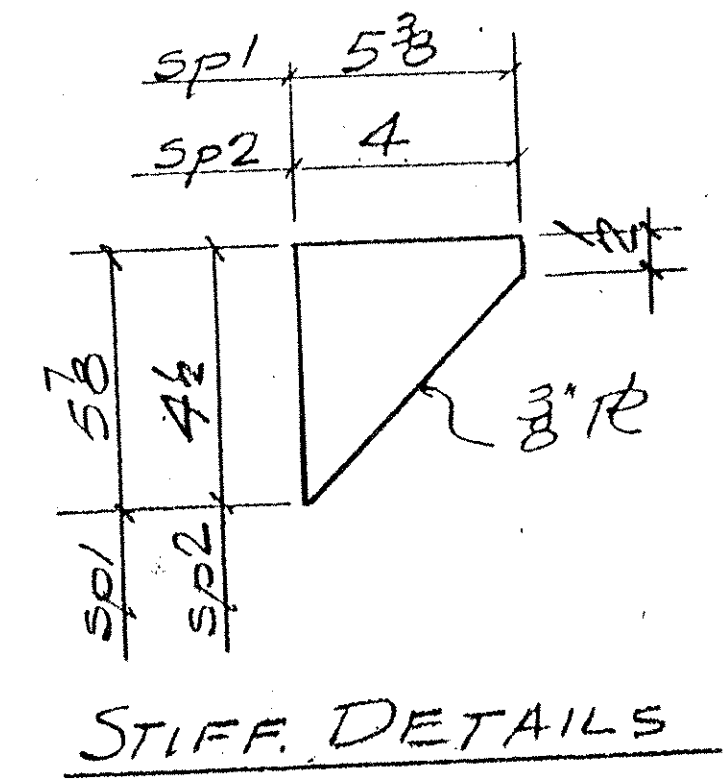


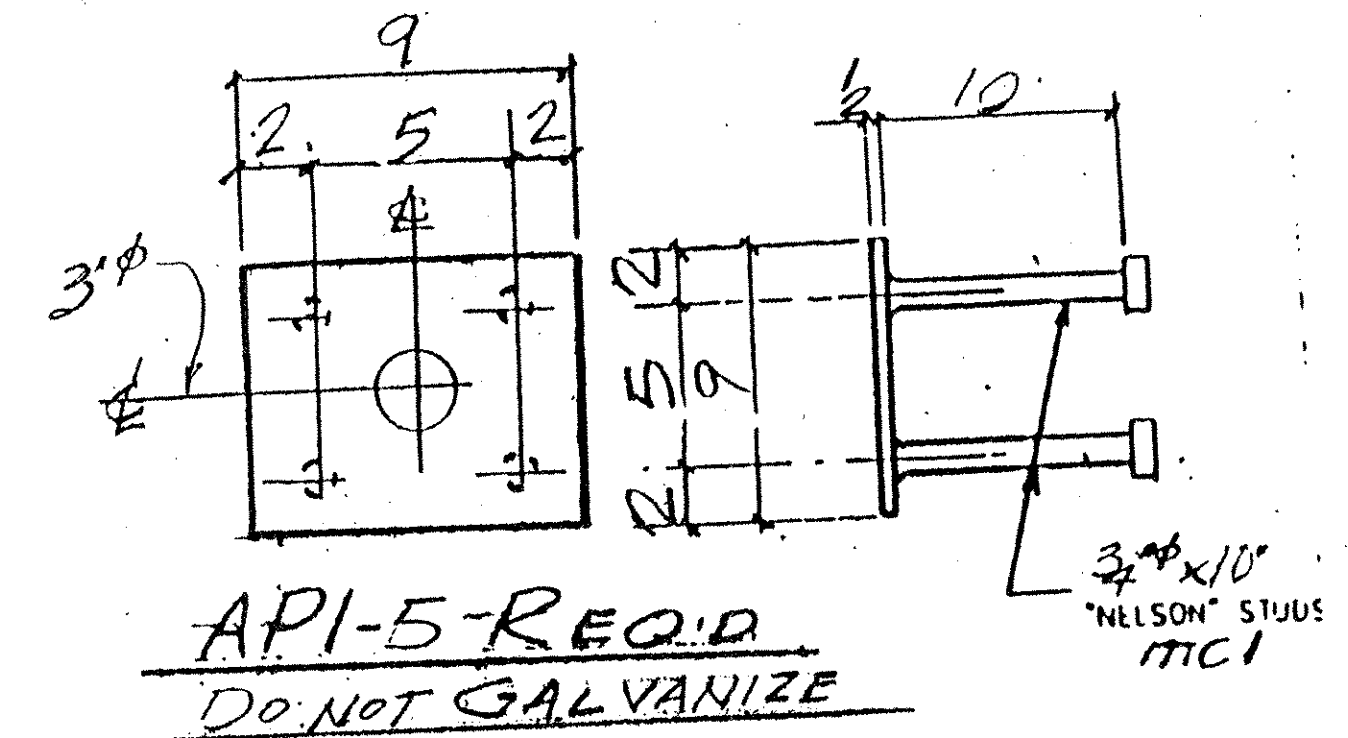
SHIPPING DEVICE
SPACED 5'-0\"/>



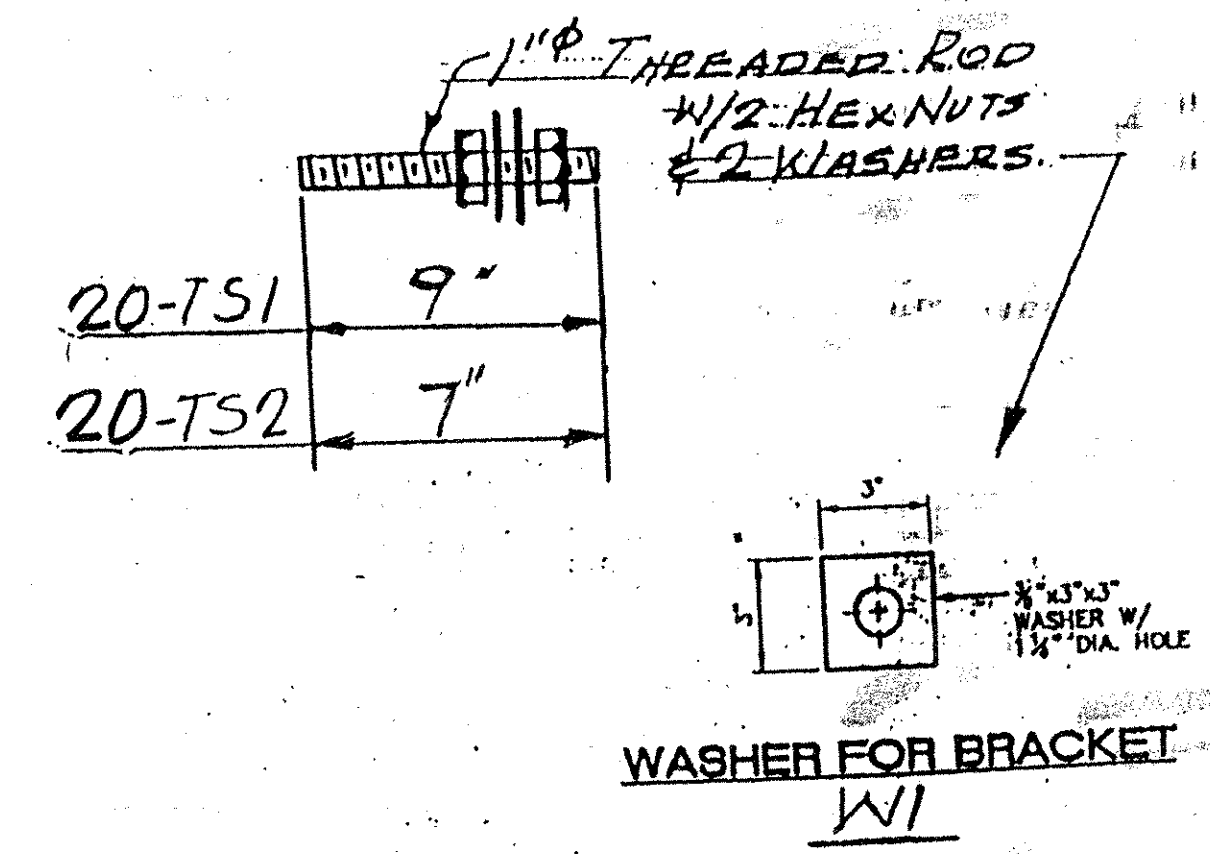
BRACKET ELEVATION



STIFF DETAILS

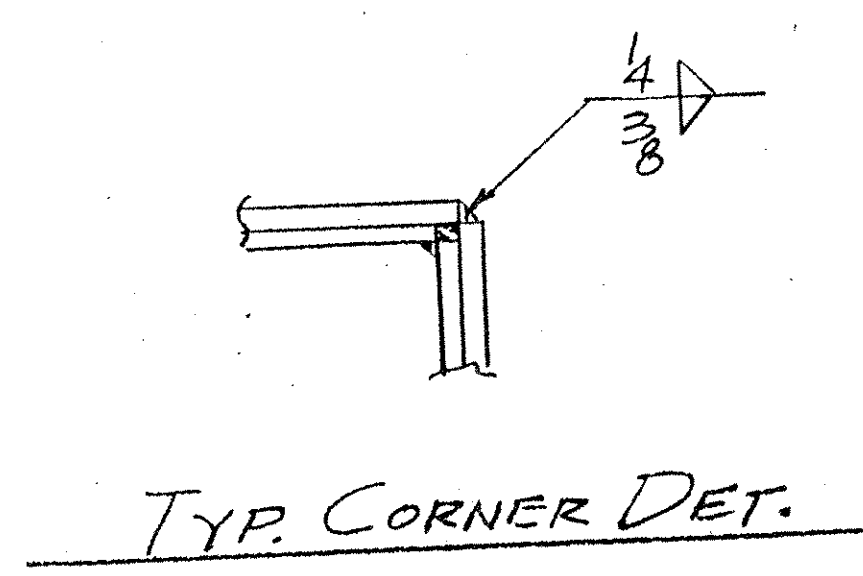
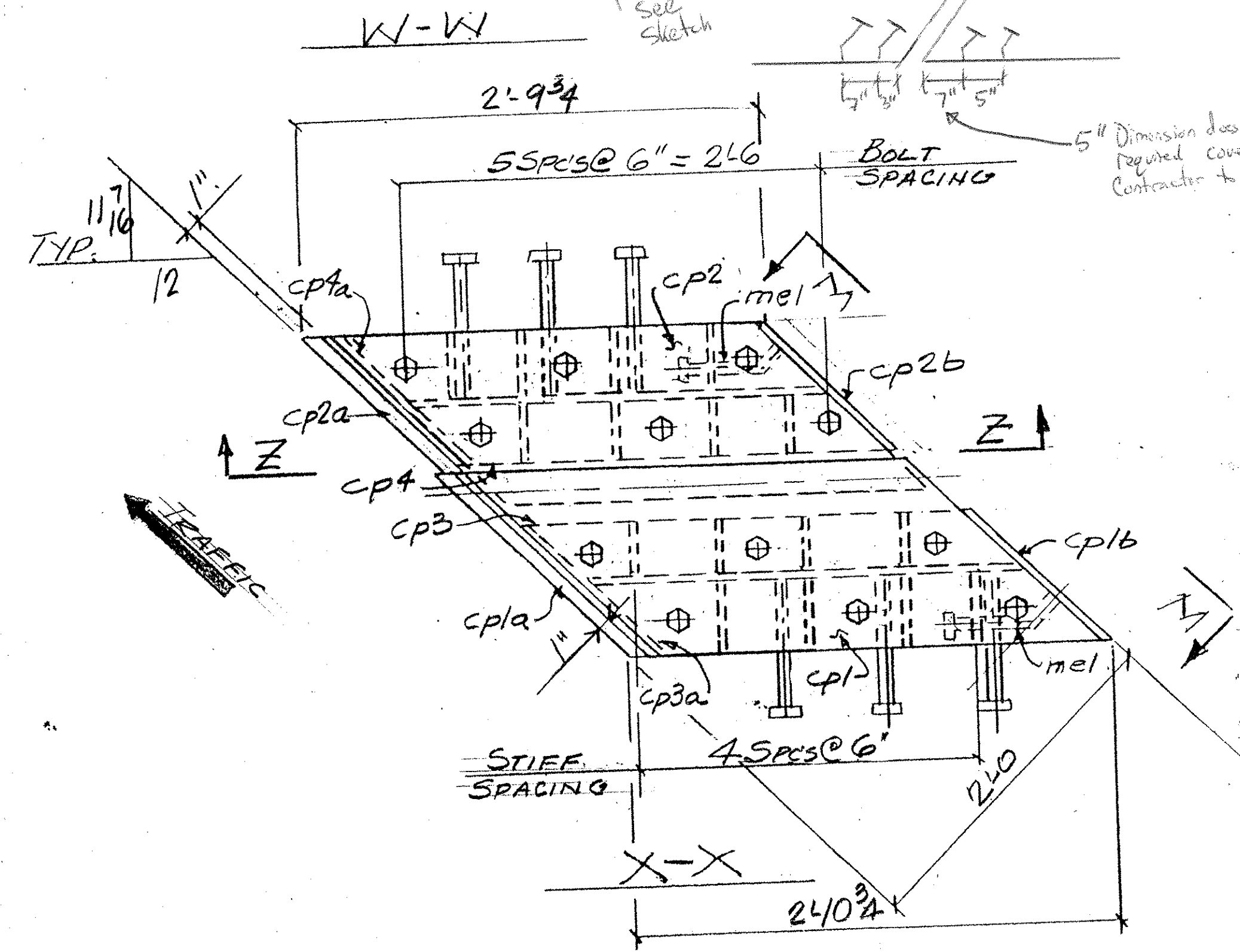


API-5-REQ'D
DO NOT GALVANIZE

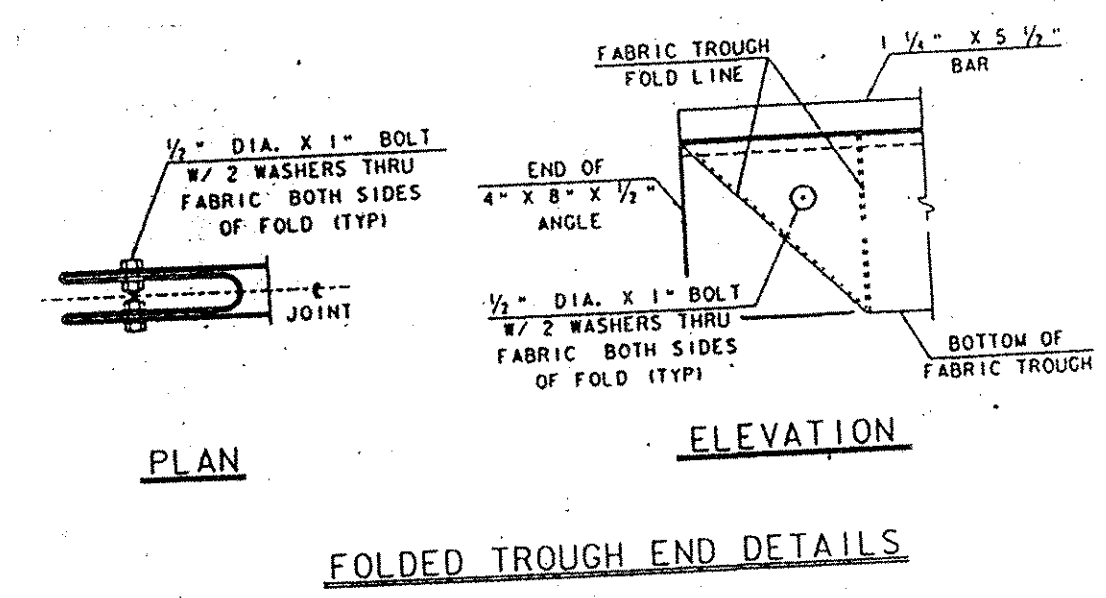


WASHER FOR BRACKET
W1

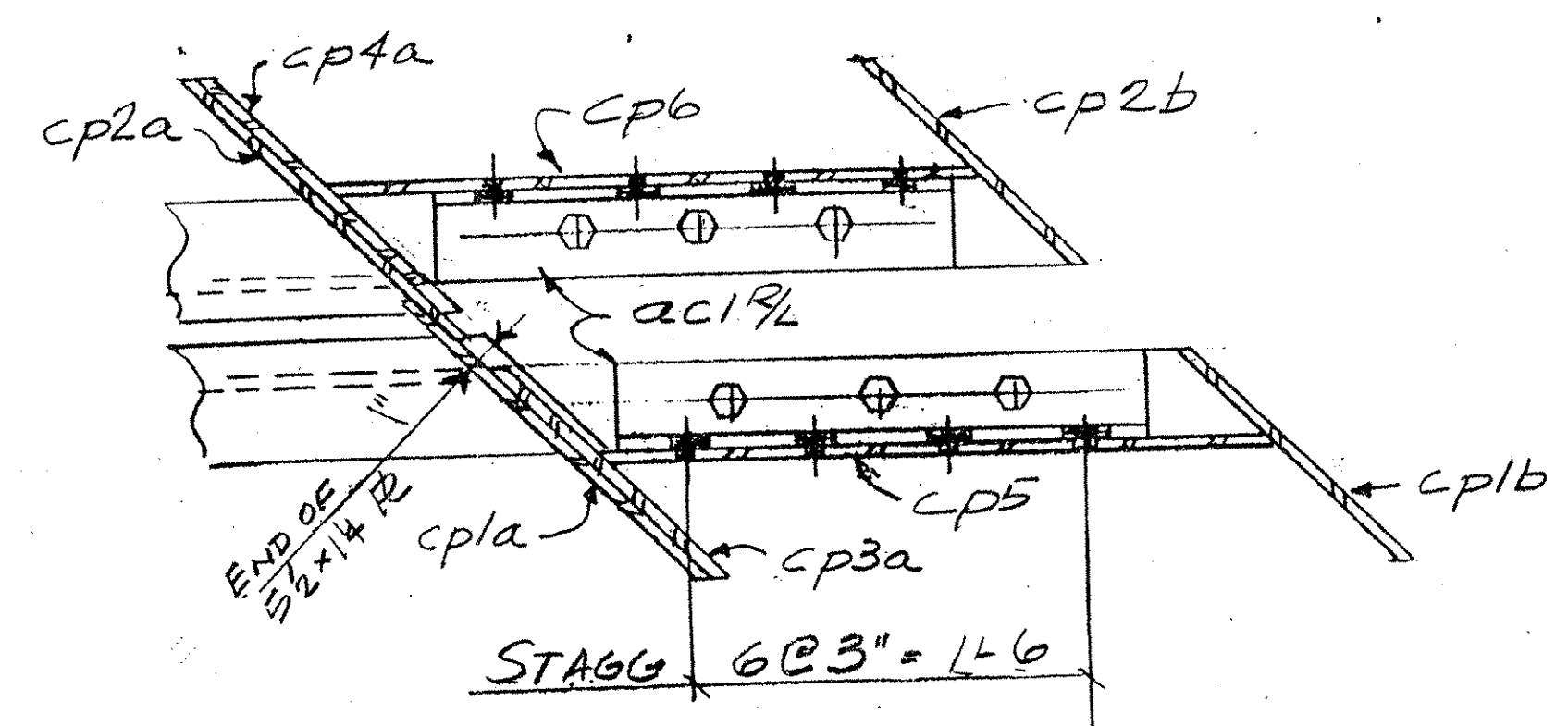
WORK THIS DNG. W/ DNG. J2



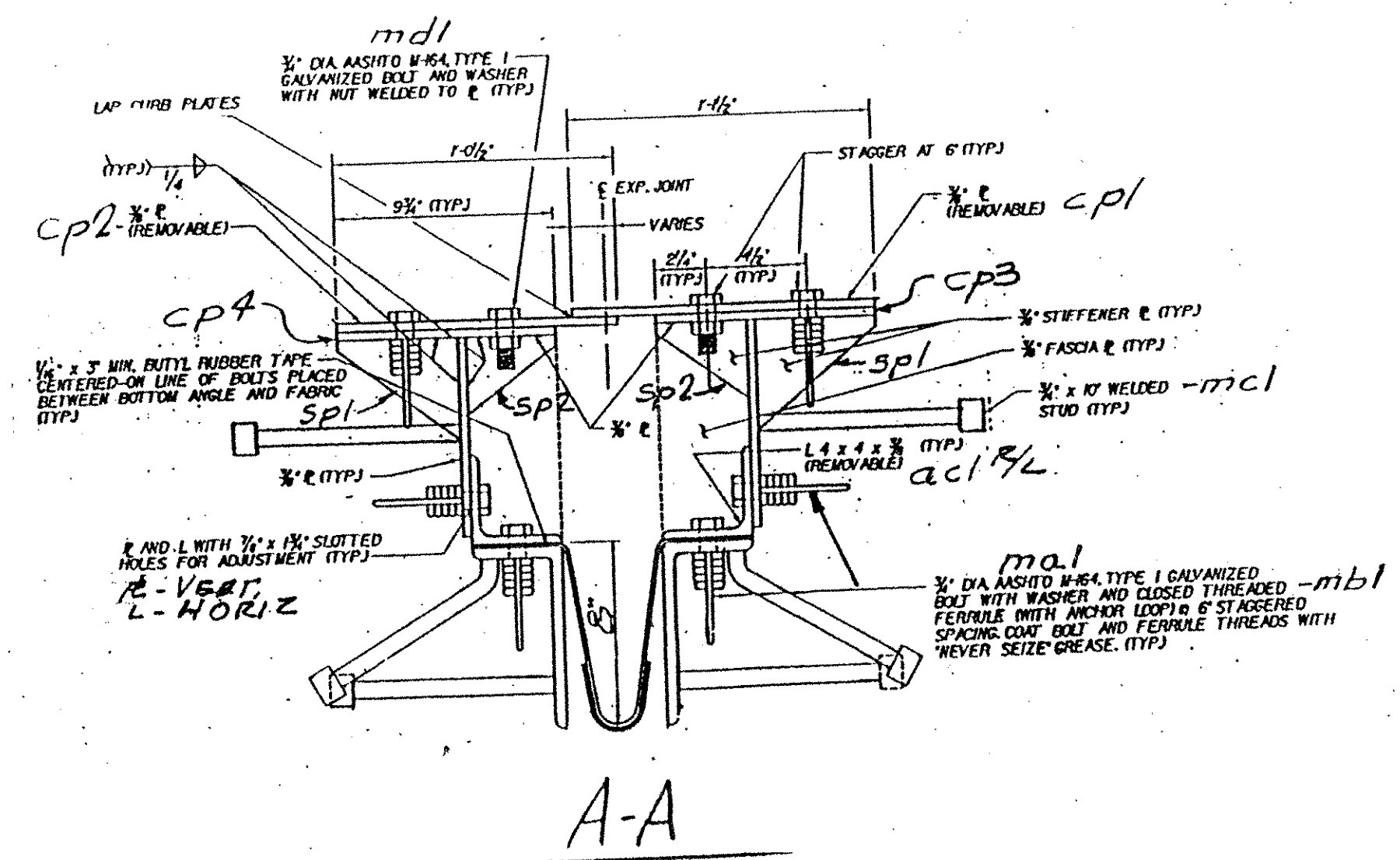
TYP. CORNER DET.



PLAN ELEVATION
FOLDED TROUGH END DETAILS



RIGHT END BRUSH CURB SHOWN
LEFT END - OPP HAND



A-A

TVGA CONSULTANTS
NO EXCEPTIONS TAKEN REJECTED
FURNISH AS CORRECTED
REVISIONS AND RESUBMIT
ENGINEER has reviewed Shop Drawings and Samples and other data which Contractor is required to submit, solely for conformance with the information given in the Contract Documents and compatibility with the design concept of the completed Project as a functioning whole as indicated in the Contract Documents. Such reviews do not extend to means, methods, techniques, sequences or procedures of construction or to safety precautions and programs incident thereto. Contractor is responsible for determinations to be confirmed and controlled at the job site; for information that pertains solely to the fabrication processes or to techniques of construction; and for coordination of the work of all trades.

OUT FOR APPROVAL	2/16/05									
ISSUED TO SHOP	6/5/05									
FIELD & OFFICE										
REV. REMARKS	DATE	DNW	CHK	APP	Q.A.	NO.	DIA.	LGT	TYPE	WASHER
PROJECT NO. TM-089-2 (29) STATE BRIDGE NO.										
MATERIAL: A36, A572, A578, A588, A595, A606, A633, A660, A690, A709, A733, A738, A750, A770, A790, A852, A870, A890, A913, A913M, A913N, A913P, A913Q, A913R, A913S, A913T, A913U, A913V, A913W, A913X, A913Y, A913Z, A913AA, A913AB, A913AC, A913AD, A913AE, A913AF, A913AG, A913AH, A913AI, A913AJ, A913AK, A913AL, A913AM, A913AN, A913AO, A913AP, A913AQ, A913AR, A913AS, A913AT, A913AU, A913AV, A913AW, A913AX, A913AY, A913AZ, A913BA, A913BB, A913BC, A913BD, A913BE, A913BF, A913BG, A913BH, A913BI, A913BJ, A913BK, A913BL, A913BM, A913BN, A913BO, A913BP, A913BQ, A913BR, A913BS, A913BT, A913BU, A913BV, A913BW, A913BX, A913BY, A913BZ, A913CA, A913CB, A913CC, A913CD, A913CE, A913CF, A913CG, A913CH, A913CI, A913CJ, A913CK, A913CL, A913CM, A913CN, A913CO, A913CP, A913CQ, A913CR, A913CS, A913CT, A913CU, A913CV, A913CW, A913CX, A913CY, A913CZ, A913DA, A913DB, A913DC, A913DD, A913DE, A913DF, A913DG, A913DH, A913DI, A913DJ, A913DK, A913DL, A913DM, A913DN, A913DO, A913DP, A913DQ, A913DR, A913DS, A913DT, A913DU, A913DV, A913DW, A913DX, A913DY, A913DZ, A913EA, A913EB, A913EC, A913ED, A913EE, A913EF, A913EG, A913EH, A913EI, A913EJ, A913EK, A913EL, A913EM, A913EN, A913EO, A913EP, A913EQ, A913ER, A913ES, A913ET, A913EU, A913EV, A913EW, A913EX, A913EY, A913EZ, A913FA, A913FB, A913FC, A913FD, A913FE, A913FF, A913FG, A913FH, A913FI, A913FJ, A913FK, A913FL, A913FM, A913FN, A913FO, A913FP, A913FQ, A913FR, A913FS, A913FT, A913FU, A913FV, A913FW, A913FX, A913FY, A913FZ, A913GA, A913GB, A913GC, A913GD, A913GE, A913GF, A913GG, A913GH, A913GI, A913GJ, A913GK, A913GL, A913GM, A913GN, A913GO, A913GP, A913GQ, A913GR, A913GS, A913GT, A913GU, A913GV, A913GW, A913GX, A913GY, A913GZ, A913HA, A913HB, A913HC, A913HD, A913HE, A913HF, A913HG, A913HH, A913HI, A913HJ, A913HK, A913HL, A913HM, A913HN, A913HO, A913HP, A913HQ, A913HR, A913HS, A913HT, A913HU, A913HV, A913HW, A913HX, A913HY, A913HZ, A913IA, A913IB, A913IC, A913ID, A913IE, A913IF, A913IG, A913IH, A913II, A913IJ, A913IK, A913IL, A913IM, A913IN, A913IO, A913IP, A913IQ, A913IR, A913IS, A913IT, A913IU, A913IV, A913IW, A913IX, A913IY, A913IZ, A913JA, A913JB, A913JC, A913JD, A913JE, A913JF, A913JG, A913JH, A913JI, A913JJ, A913JK, A913JL, A913JM, A913JN, A913JO, A913JP, A913JQ, A913JR, A913JS, A913JT, A913JU, A913JV, A913JW, A913JX, A913JY, A913JZ, A913KA, A913KB, A913KC, A913KD, A913KE, A913KF, A913KG, A913KH, A913KI, A913KJ, A913KK, A913KL, A913KM, A913KN, A913KO, A913KP, A913KQ, A913KR, A913KS, A913KT, A913KU, A913KV, A913KW, A913KX, A913KY, A913KZ, A913LA, A913LB, A913LC, A913LD, A913LE, A913LF, A913LG, A913LH, A913LI, A913LJ, A913LK, A913LL, A913LM, A913LN, A913LO, A913LP, A913LQ, A913LR, A913LS, A913LT, A913LU, A913LV, A913LW, A913LX, A913LY, A913LZ, A913MA, A913MB, A913MC, A913MD, A913ME, A913MF, A913MG, A913MH, A913MI, A913MJ, A913MK, A913ML, A913MN, A913MO, A913MP, A913MQ, A913MR, A913MS, A913MT, A913MU, A913MV, A913MW, A913MX, A913MY, A913MZ, A913NA, A913NB, A913NC, A913ND, A913NE, A913NF, A913NG, A913NH, A913NI, A913NJ, A913NK, A913NL, A913NM, A913NO, A913NP, A913NQ, A913NR, A913NS, A913NT, A913NU, A913NV, A913NW, A913NX, A913NY, A913NZ, A913OA, A913OB, A913OC, A913OD, A913OE, A913OF, A913OG, A913OH, A913OI, A913OJ, A913OK, A913OL, A913OM, A913ON, A913OO, A913OP, A913OQ, A913OR, A913OS, A913OT, A913OU, A913OV, A913OW, A913OX, A913OY, A913OZ, A913PA, A913PB, A913PC, A913PD, A913PE, A913PF, A913PG, A913PH, A913PI, A913PJ, A913PK, A913PL, A913PM, A913PN, A913PO, A913PP, A913PQ, A913PR, A913PS, A913PT, A913PU, A913PV, A913PW, A913PX, A913PY, A913PZ, A913QA, A913QB, A913QC, A913QD, A913QE, A913QF, A913QG, A913QH, A913QI, A913QJ, A913QK, A913QL, A913QM, A913QN, A913QO, A913QP, A913QQ, A913QR, A913QS, A913QT, A913QU, A913QV, A913QW, A913QX, A913QY, A913QZ, A913RA, A913RB, A913RC, A913RD, A913RE, A913RF, A913RG, A913RH, A913RI, A913RJ, A913RK, A913RL, A913RM, A913RN, A913RO, A913RP, A913RQ, A913RR, A913RS, A913RT, A913RU, A913RV, A913RW, A913RX, A913RY, A913RZ, A913SA, A913SB, A913SC, A913SD, A913SE, A913SF, A913SG, A913SH, A913SI, A913SJ, A913SK, A913SL, A913SM, A913SN, A913SO, A913SP, A913SQ, A913SR, A913SS, A913ST, A913SU, A913SV, A913SW, A913SX, A913SY, A913SZ, A913TA, A913TB, A913TC, A913TD, A913TE, A913TF, A913TG, A913TH, A913TI, A913TJ, A913TK, A913TL, A913TM, A913TN, A913TO, A913TP, A913TQ, A913TR, A913TS, A913TT, A913TU, A913TV, A913TW, A913TX, A913TY, A913TZ, A913UA, A913UB, A913UC, A913UD, A913UE, A913UF, A913UG, A913UH, A913UI, A913UJ, A913UK, A913UL, A913UM, A913UN, A913UO, A913UP, A913UQ, A913UR, A913US, A913UT, A913UU, A913UV, A913UW, A913UX, A913UY, A913UZ, A913VA, A913VB, A913VC, A913VD, A913VE, A913VF, A913VG, A913VH, A913VI, A913VJ, A913VK, A913VL, A913VM, A913VN, A913VO, A913VP, A913VQ, A913VR, A913VS, A913VT, A913VU, A913VV, A913VW, A913VX, A913VY, A913VZ, A913WA, A913WB, A913WC, A913WD, A913WE, A913WF, A913WG, A913WH, A913WI, A913WJ, A913WK, A913WL, A913WM, A913WN, A913WO, A913WP, A913WQ, A913WR, A913WS, A913WT, A913WU, A913WV, A913WW, A913WX, A913WY, A913WZ, A913XA, A913XB, A913XC, A913XD, A913XE, A913XF, A913XG, A913XH, A913XI, A913XJ, A913XK, A913XL, A913XM, A913XN, A913XO, A913XP, A913XQ, A913XR, A913XS, A913XT, A913XU, A913XV, A913XW, A913XX, A913XY, A913XZ, A913YA, A913YB, A913YC, A913YD, A913YE, A913YF, A913YG, A913YH, A913YI, A913YJ, A913YK, A913YL, A913YM, A913YN, A913YO, A913YP, A913YQ, A913YR, A913YS, A913YT, A913YU, A913YV, A913YW, A913YX, A913YY, A913YZ, A913ZA, A913ZB, A913ZC, A913ZD, A913ZE, A913ZF, A913ZG, A913ZH, A913ZI, A913ZJ, A913ZK, A913ZL, A913ZM, A913ZN, A913ZO, A913ZP, A913ZQ, A913ZR, A913ZS, A913ZT, A913ZU, A913ZV, A913ZW, A913ZX, A913ZY, A913ZZ										
SURFACE PREP. & PAINT: GALVANIZED AFTER FAB										
DESCRIPTION:	EXP. JOINT-ABUT. 2									
JOB:	BRIDGE 51N									
I 89 OVER U.S. ROUTE 2										
BOLTON, VT.										
CUSTOMER:	WINTERSET INC.									
DRAWN BY:	JPF	DATE:	1-05							
CHKD BY:	EJ									
APPROV BY:										
Q.A.										
JOB NO.:	253	DRG. NO.:	J2A							
75 SPRING HILL ROAD	SACO, MAINE 04072	PHONE (207) 282-7360	FAX (207) 282-1179							