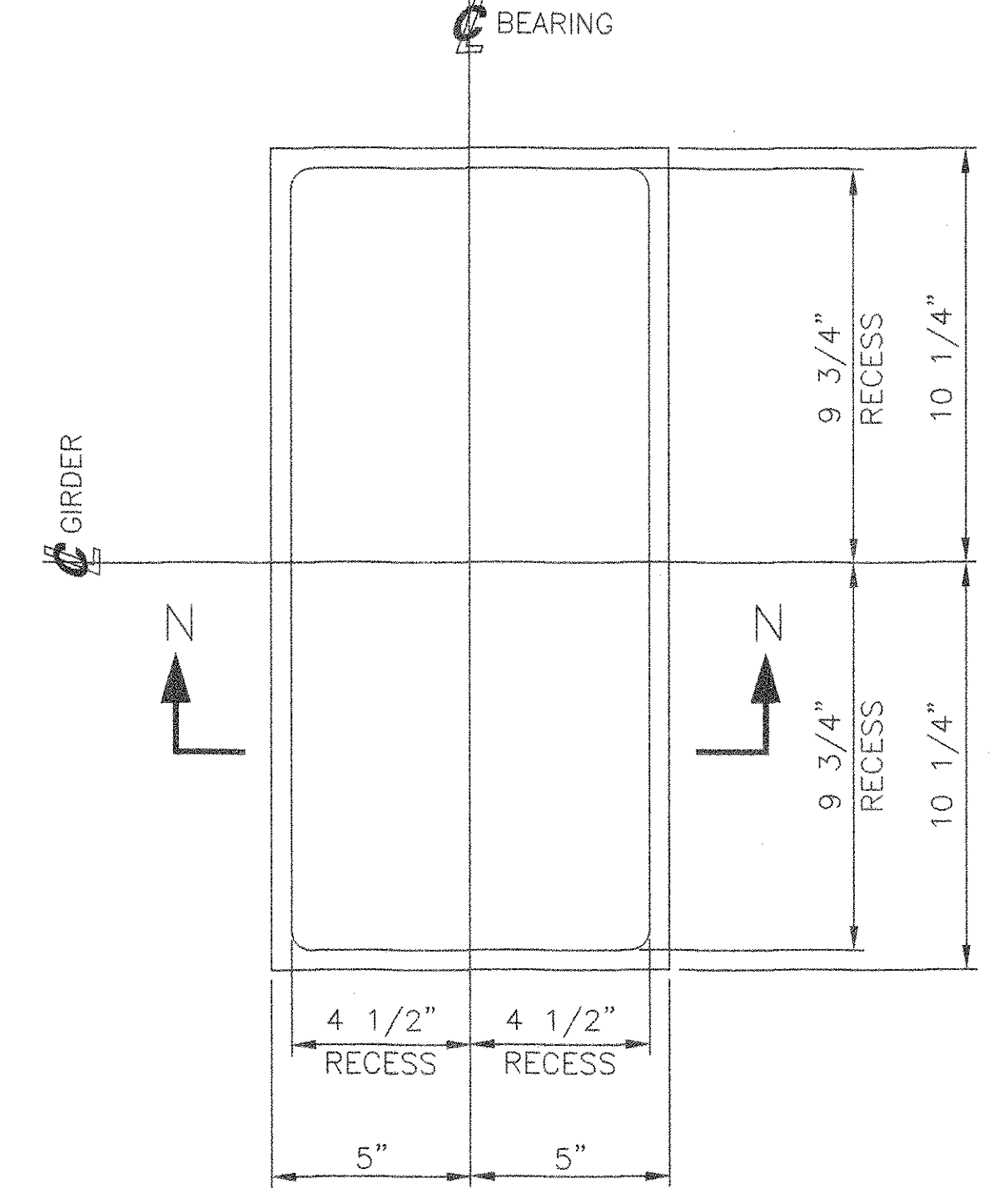
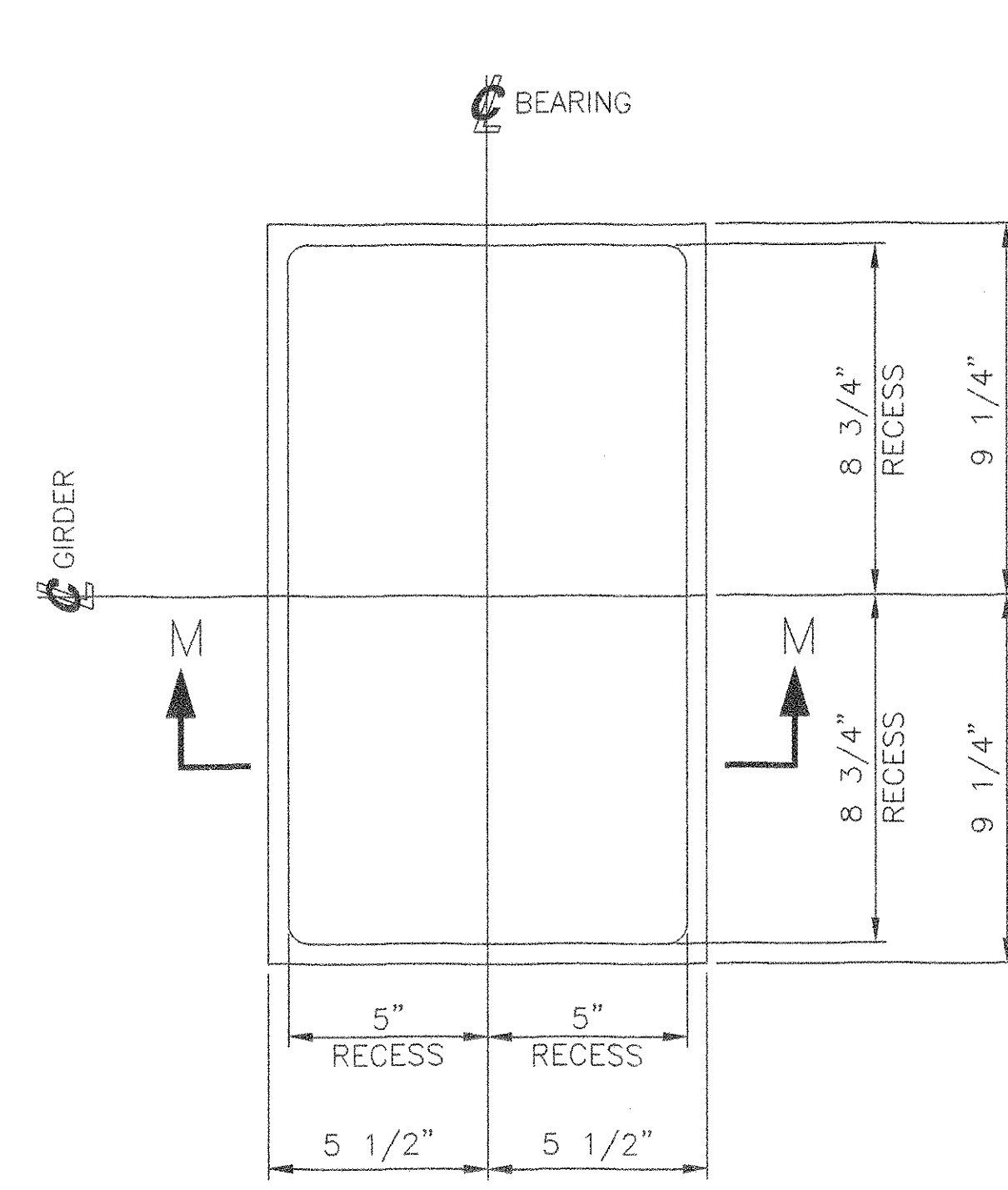
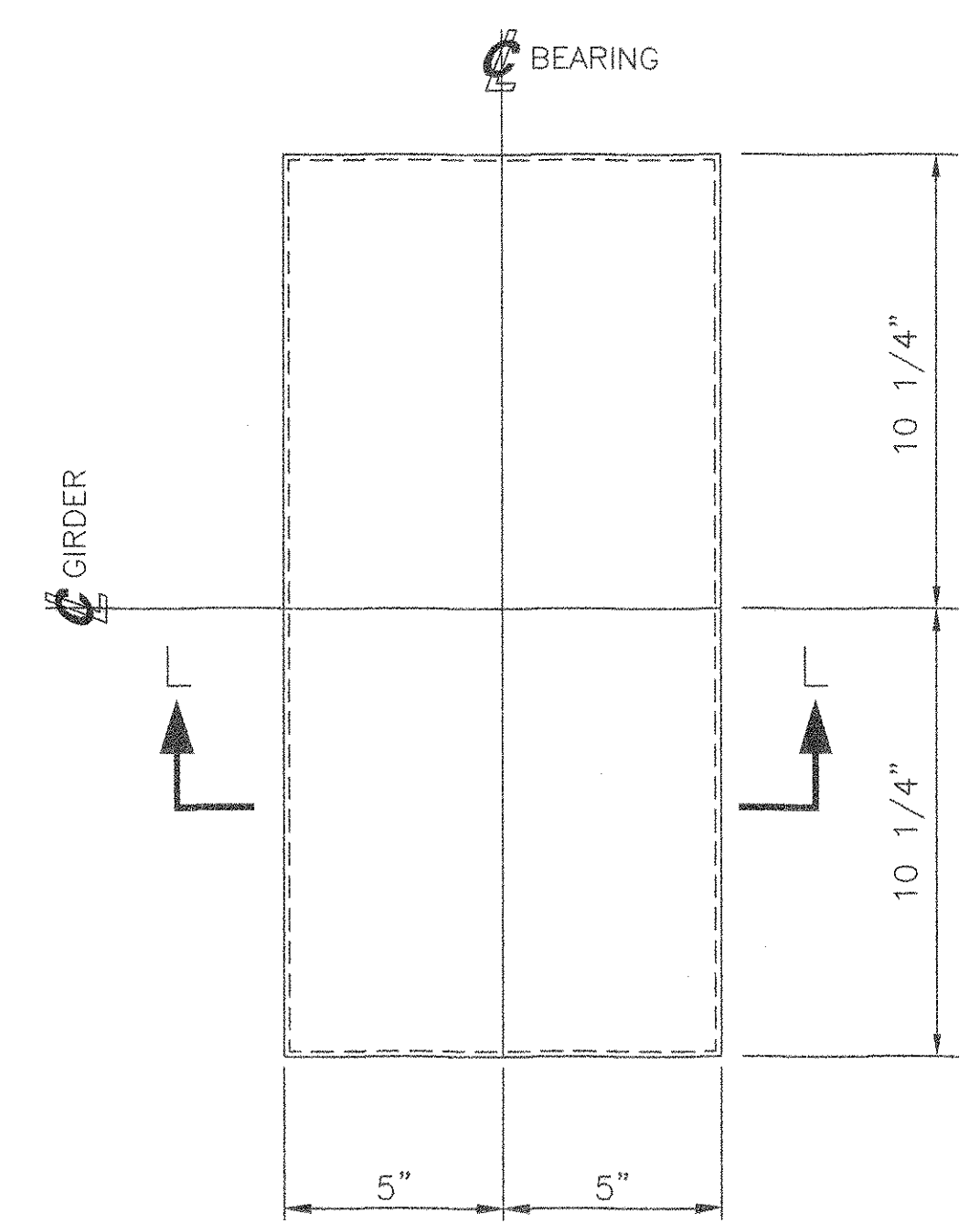
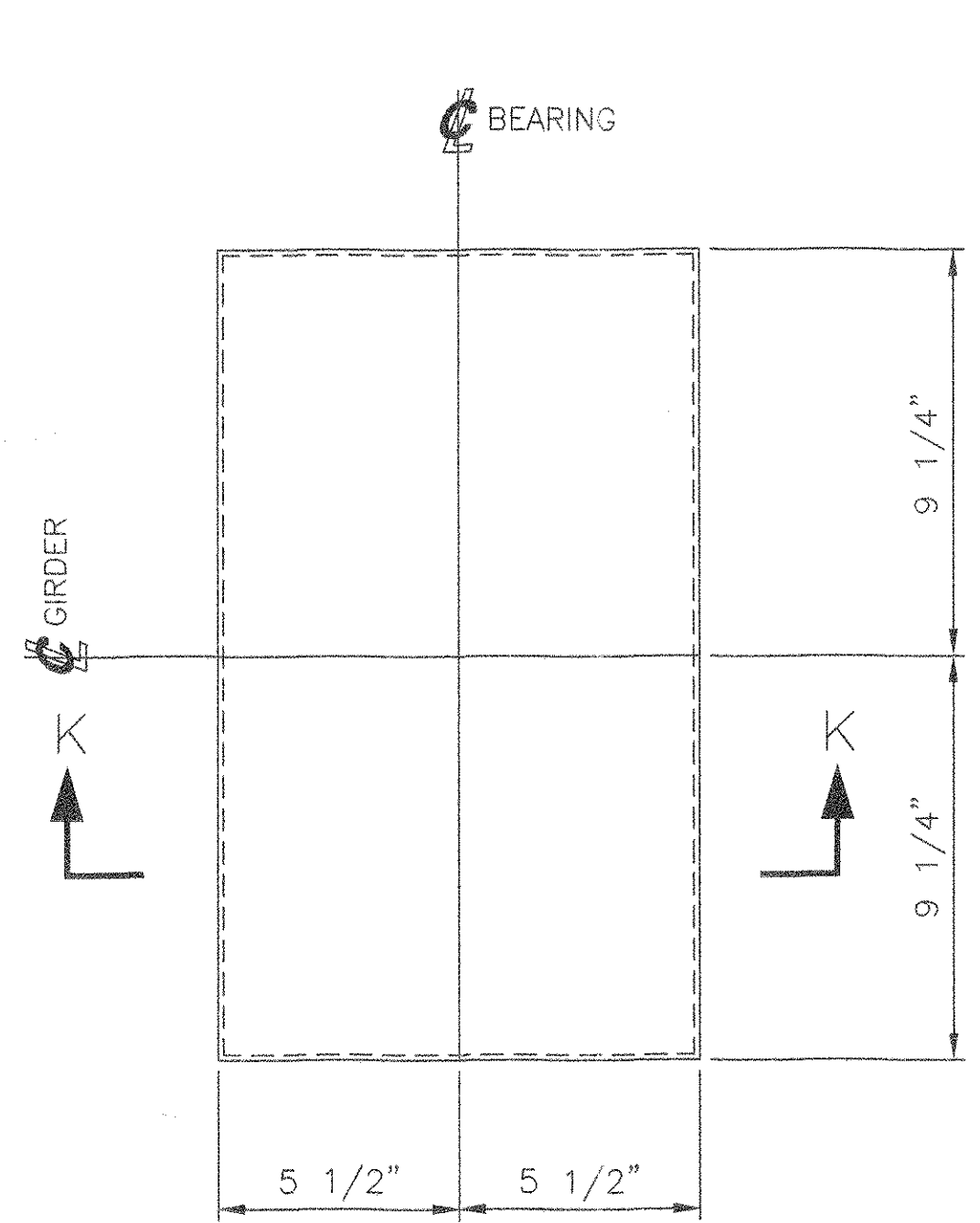


MARK	QTY	DESCRIPTION	FT	IN	16ths	FAB MARK	MILL MARK	WEIGHT
EB7	10	LAM. ELAST. PAD 2 1/2" x 11"	.	18	8	.	60 DURO. RUBBER GR. 4 NAT. RUBBER	425
.	10	PL 1/2" x 11"	.	18	8	ss10a	A240 TYPE 304	318
.	10	PTFE 1/4" x 10"	.	17	8	tfe10a	D1457	124
EB8	15	LAM. ELAST. PAD 4 3/4" x 10"	.	20	8	.	60 DURO. RUBBER GR. 4 NAT. RUBBER	1245
.	15	PL 1/2" x 10"	.	20	8	ss10b	A240 TYPE 304	480
.	15	PTFE 1/4" x 9"	.	19	8	tfe10b	D1457	187

TOTAL GROSS WT = 2779



10 ELASTOMERIC BEARINGS, EB7  
 LAMINATED ELASTOMERIC BEARINGS CONFORMING TO VTDOT STANDARD SPECIFICATIONS  
 ELASTOMERIC BEARING 2 1/2" X 11" X 18 1/2"  
 ELASTOMER - 60 DUROMETER, GRADE 4 NATURAL RUBBER  $\Delta$   
 SHIM PLATES - M270 GR.36 (PLAIN)  
 LOCATE AT  
 BRIDGE 51N, PIER 3  
 BRIDGE 51S, PIER 2

15 ELASTOMERIC BEARING, EB8  
 LAMINATED ELASTOMERIC BEARINGS CONFORMING TO VTDOT STANDARD SPECIFICATIONS  
 ELASTOMERIC BEARING 4 3/4" X 10" X 20 1/2"  
 ELASTOMER - 60 DUROMETER, GRADE 4 NATURAL RUBBER  $\Delta$   
 SHIM PLATES - M270 GR.36 (PLAIN)  
 LOCATE AT  
 BRIDGE 51N, PIER 4  
 BRIDGE 51S, PIER 4  
 BRIDGE 51S, PIER 5

10 STAINLESS STEEL PLATES, SS10a  
 PL 1/2" x 11" x 18 1/2"  
 ASTM A240 TYPE 304  
 USE WITH EB7

15 STAINLESS STEEL PLATES, SS10b  
 PL 1/2" x 10" x 20 1/2"  
 ASTM A240 TYPE 304  
 USE WITH EB8

SEE SHEET AS1 FOR ASSEMBLY NOTES.  
 SEE SHEET 1 FOR SHOP NOTES.

**TVGA CONSULTANTS**  
 NO EXCEPTIONS TAKEN  
 FURNISH AS CORRECTED  
 REVISE AND RESUBMIT  
 REJECTED  
 ENGINEER has reviewed Shop Drawings and Samples and other data which Contractor is required to submit, for conformance with the information given in the Contract Documents and compatibility with the design concept of the Contract Documents. Such review is not intended to constitute approval or to safety precautions and progress is not intended. Contractor is responsible for dimensions to be confirmed and corrected at the job site, for information that pertains solely to the fabrication processes or to techniques of construction and for coordination of the work of all trades.  
 BY: *DRC*  
 DATE: 4/14/05

STATE OF VERMONT  
 AGENCY OF TRANSPORTATION  
 TOWN OF BOLTON  
 PROJECT NO.: IM-089-2 (29)  
 BRIDGE NO.'S 51N AND 51S  
 ON INTERSTATE 89

**COSMEC, INC.** 70 SOUTH STREET  
 WALPOLE, MA. 02081

SCALE: 1/4" = 1" DRAWN BY: JEP CHECKED BY: PJM  
 SHT 10 OF 12 DATE: 01/05 DATE: 02/05

**COSMEC BEARING 66324**

CUSTOMER: WINTERSET S.O. NUMBER: 60233 DRAWING NUMBER: 4369 REV: 1

REV.	DESCRIPTION	BY	DATE	CK'D BY	DATE
$\Delta$	NATURAL RUBBER WAS NEOPRENE	MM	4/05		