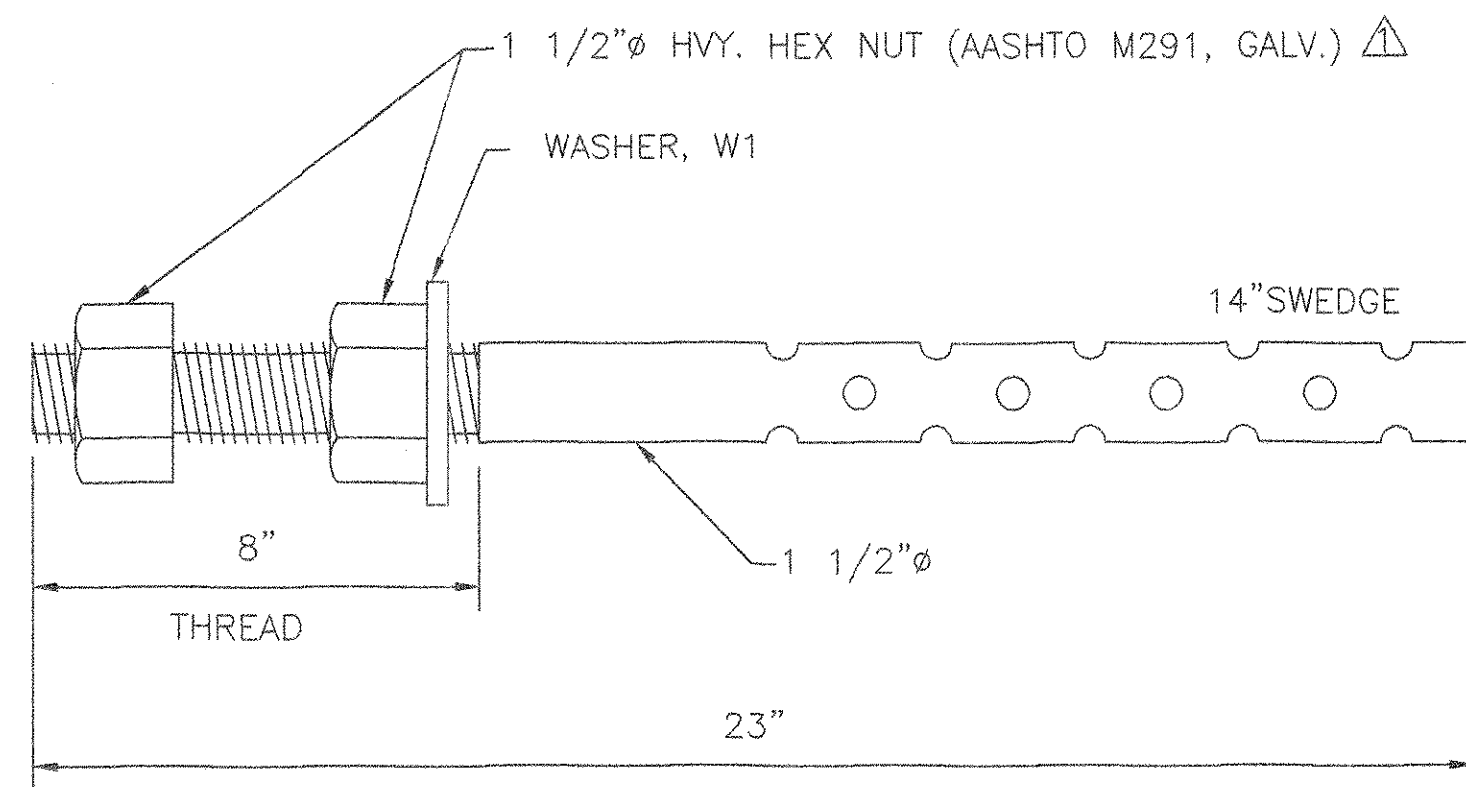


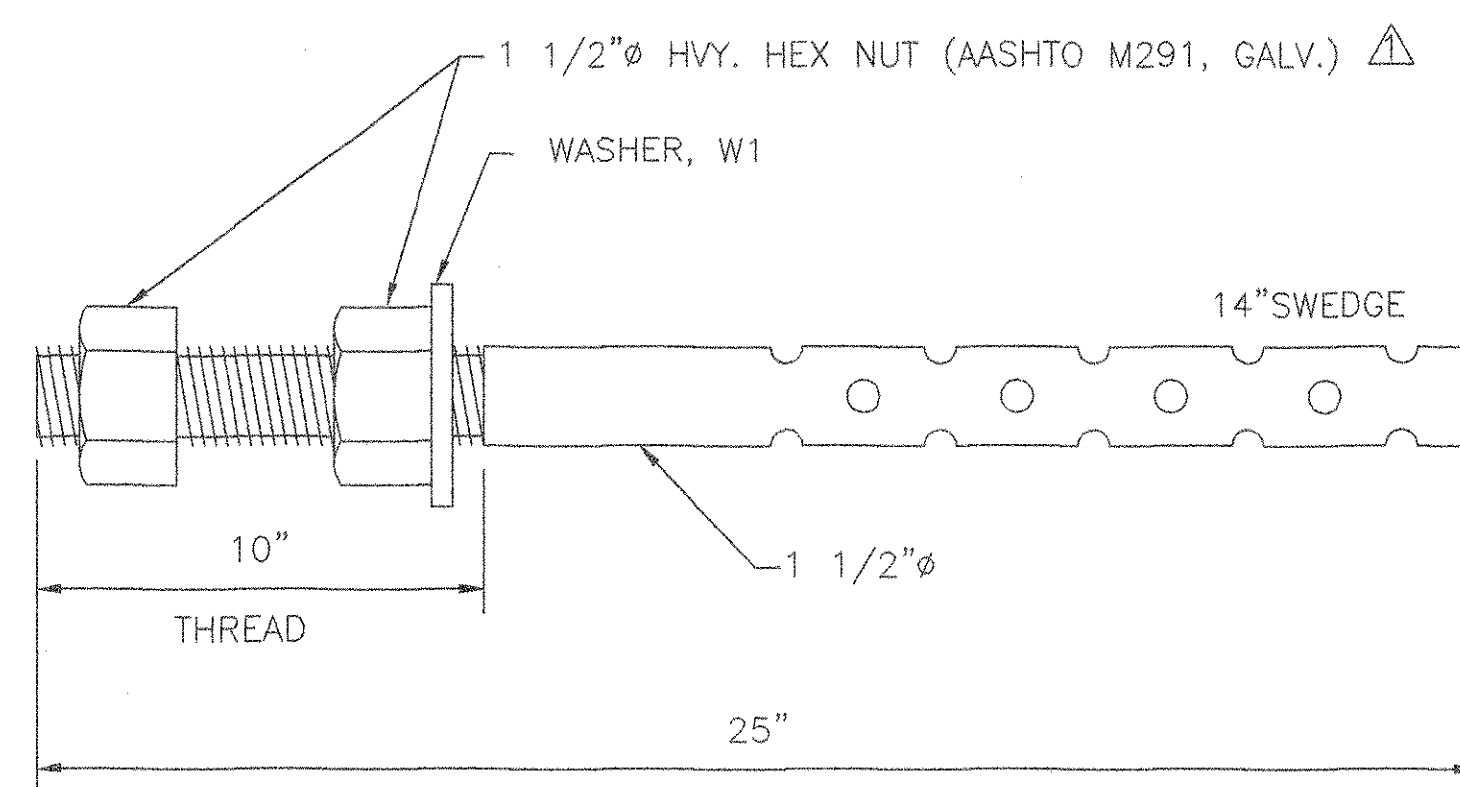
MARK	QTY	DESCRIPTION	FT	IN	16ths	FAB MARK	MILL MARK	WEIGHT
AB1	60	RD 1 1/2"Ø		23	0		GALV.	692
AB2	20	RD 1 1/2"Ø		25	0		GALV.	722
AB3	40	RD 1 1/2"Ø		23	0		GALV.	461
AB4	40	RD 1 1/2"Ø		24	0		GALV.	251
AB5	30	RD 1 1/2"Ø		26	0		GALV.	391
W1	190	PL 3/8" x 3"		3	0	GALV.	A36	182
W2	110	PL 3/8" x 3"		9	0	GALV.	A36	316
	380	1 1/2"Ø HVY HEX NUTS					AASHTO M291 GALV.	358

TOTAL GROSS WT = 3373



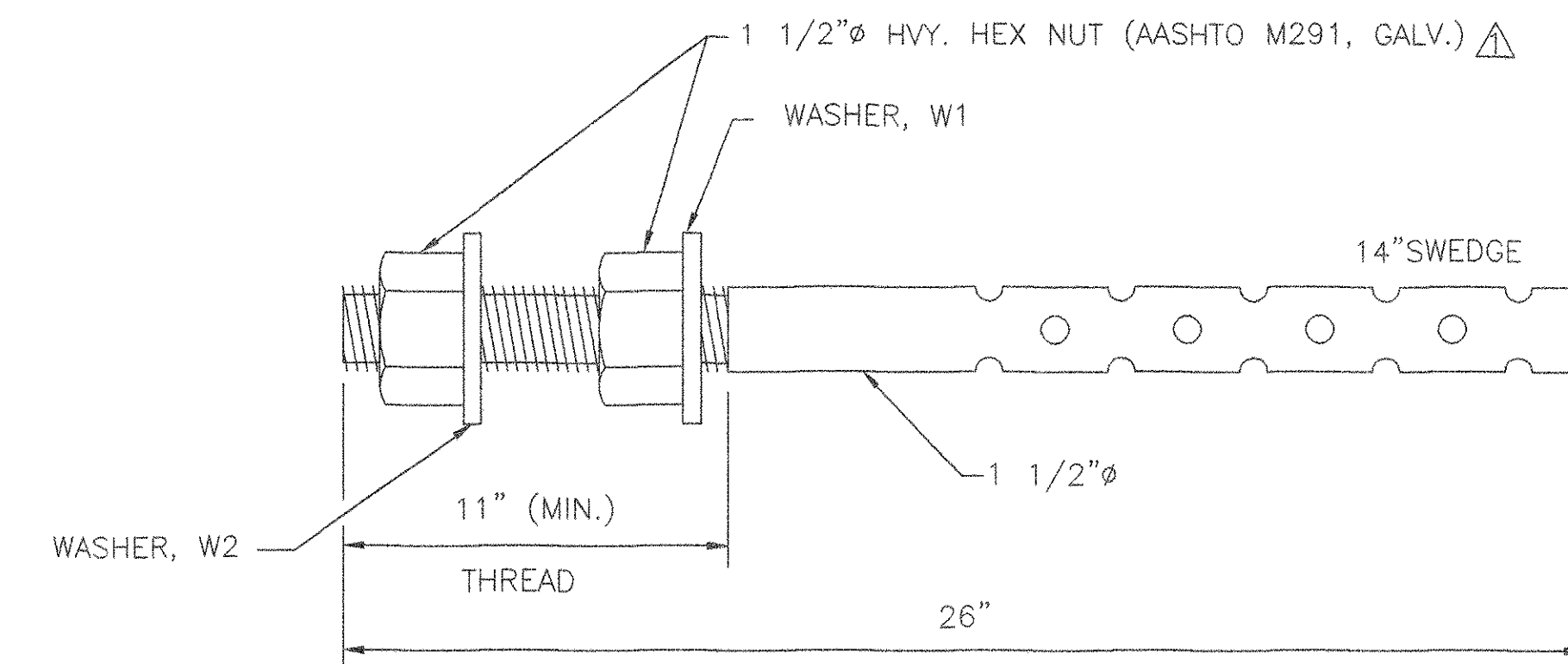
60 ANCHOR BOLTS, AB1

RD 1 1/2"Ø x 23"
 AASHTO M183 OR EQUIVALENT (GALV.)
 EMBED. = 15" MIN.
 USE AT
 BRIDGE NO. 51N, ABUT. 1
 BRIDGE NO. 51S, ABUT. 1
 BRIDGE NO. 51N, PIER 2



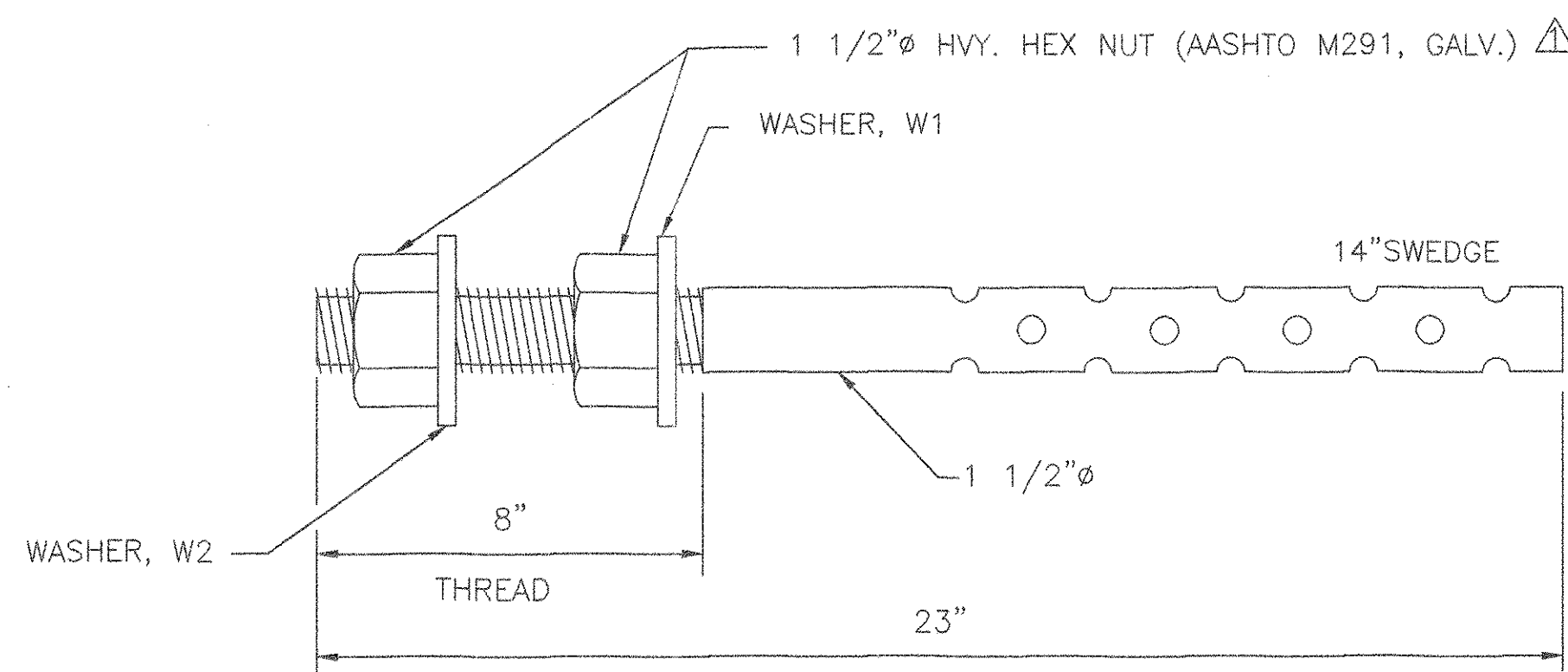
20 ANCHOR BOLTS, AB2

RD 1 1/2"Ø x 25"
 AASHTO M183 OR EQUIVALENT (GALV.)
 EMBED. = 15" MIN.
 USE AT
 BRIDGE NO. 51S, PIER 3



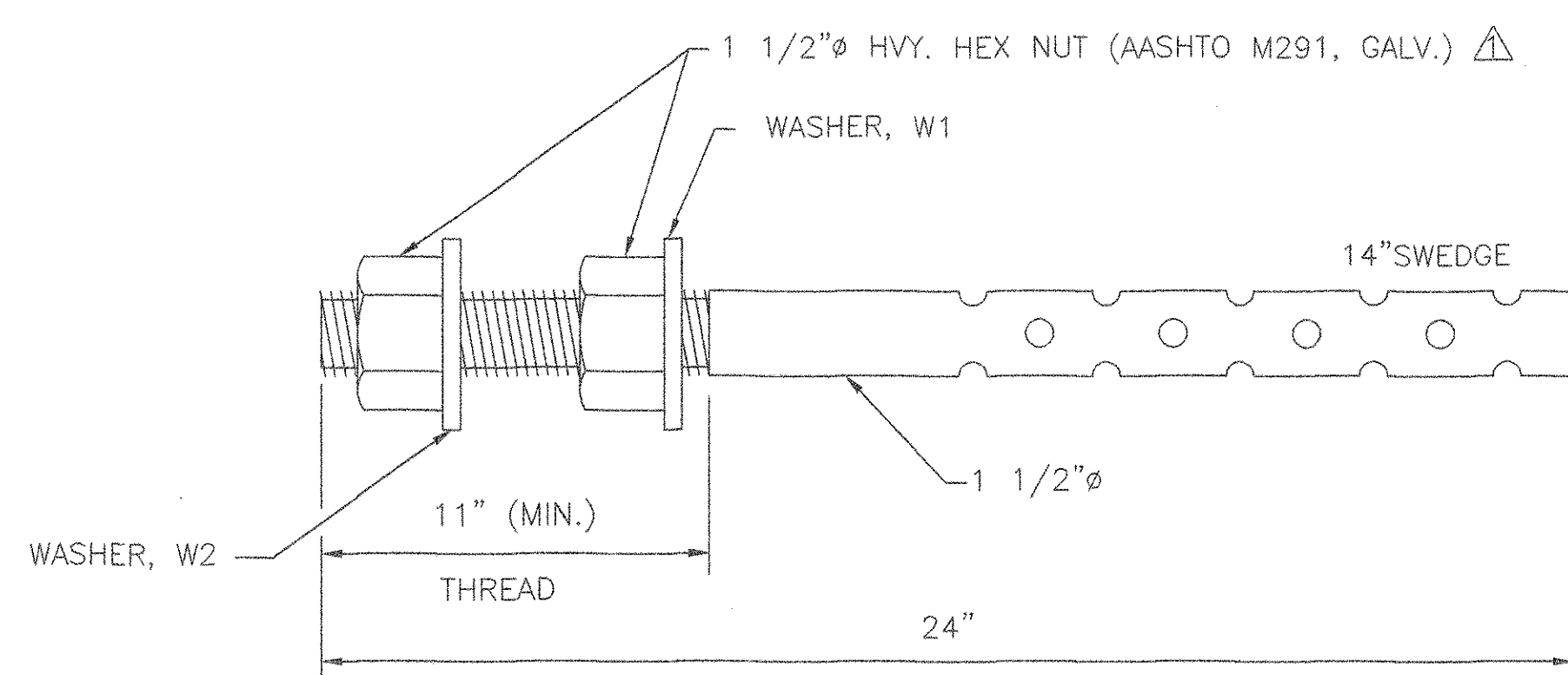
30 ANCHOR BOLTS, AB5

RD 1 1/2"Ø x 26"
 AASHTO M183 OR EQUIVALENT (GALV.)
 EMBED. = 15" MIN.
 USE AT
 BRIDGE NO. 51N, PIER 4
 BRIDGE NO. 51S, PIER 4
 BRIDGE NO. 51S, PIER 5



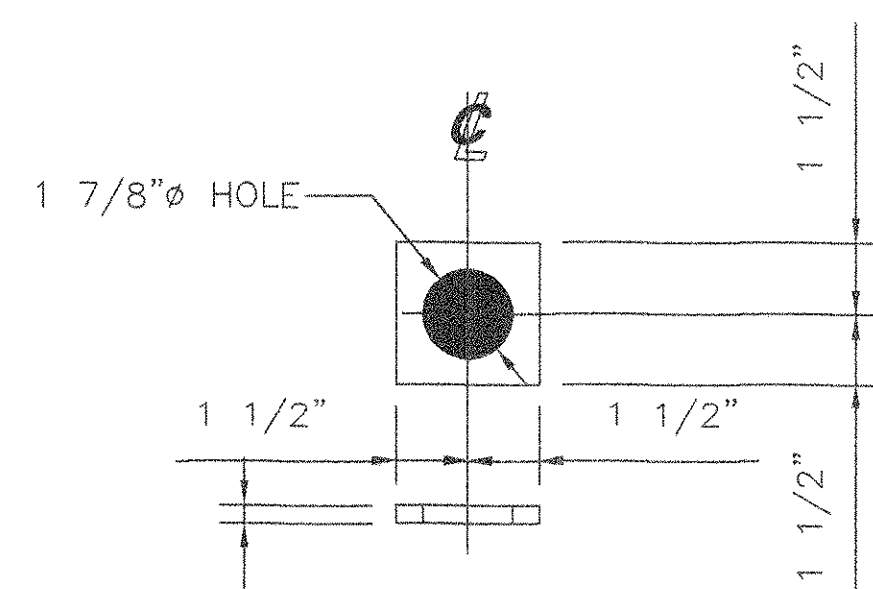
40 ANCHOR BOLTS, AB3

RD 1 1/2"Ø x 23"
 AASHTO M183 OR EQUIVALENT (GALV.)
 EMBED. = 15" MIN.
 USE AT
 BRIDGE NO. 51N, ABUT. 2
 BRIDGE NO. 51S, ABUT. 2
 BRIDGE NO. 51N, PIER 1(S2)
 BRIDGE NO. 51S, PIER 1(S2)



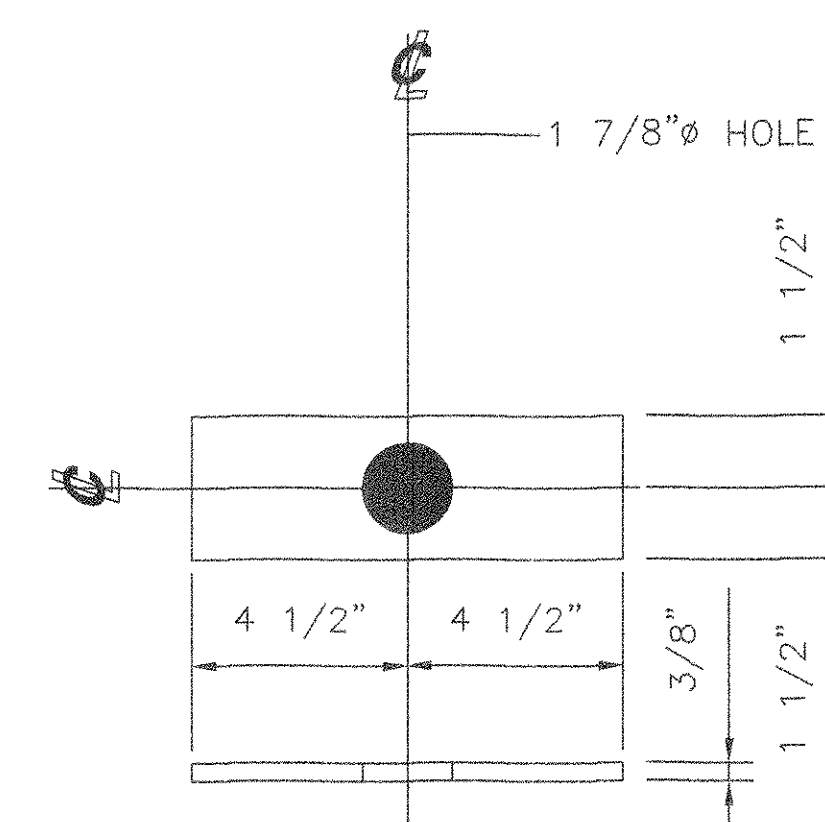
40 ANCHOR BOLTS, AB4

RD 1 1/2"Ø x 24"
 AASHTO M183 OR EQUIVALENT (GALV.)
 EMBED. = 15" MIN.
 USE AT
 BRIDGE NO. 51N, PIER 1(S1)
 BRIDGE NO. 51S, PIER 1(S1)
 BRIDGE NO. 51N, PIER 3
 BRIDGE NO. 51S, PIER 2



190 PLATE WASHERS, W1

PL 3/8" x 3" x 3"
 ASTM A.709 GR.36 (GALV.)
 USE WITH
 ANCHOR BOLTS AB1 THRU ABS



110 PLATE WASHERS, W2

PL 3/8" x 3" x 9"
 ASTM A.709 GR. 36 (GALV.)
 USE WITH
 ANCHOR BOLTS AB2, AB3 AND ABS
 AB3, AB4

TVSA CONSULTANTS

NO EXCEPTIONS TAKEN REJECTED
 FURNISH AS CORRECTED
 REVISE AND RESUBMIT
 ENGINEER has reviewed Shop Drawings and Samples and other data which Contractor is required to submit, and for compliance with the information given in the Contract Documents and compatibility with the design concept of the completed Project as a functioning whole as indicated in the Contract Documents. Such review is not intended to indicate methods, techniques, sequences or procedures of construction or to safety precautions and programs incident thereto. Contractor is responsible for dimensions to be confirmed and correlated at the job site; for information that pertains solely to the fabrication processes or to techniques of construction; and for coordination of the work of all trades.

SEE SHEET AS1 FOR ASSEMBLY NOTES.
 SEE SHEET 1 FOR SHOP NOTES.

STATE OF VERMONT
 AGENCY OF TRANSPORTATION
 TOWN OF BOLTON
 PROJECT NO.: IM-089-2 (29)
 BRIDGE NO.'S 51N AND 51S
 ON INTERSTATE 89

COSMEC, INC. 70 SOUTH STREET
 WALPOLE, MA. 02081

SCALE: 1/4"=1" DRAWN BY: JEP CHECKED BY: PJM
 SHT 7 OF 12 DATE: 01/05 DATE: 02/05

COSMEC BEARING bb321

REV. 1	REVISED ANCHOR BOLT MATERIAL AND WASHER MATERIAL AS NOTED	BY: MM	DATE: 4/05	CHK'D BY:	DATE:	CUSTOMER: WINTERSET	S.O. NUMBER: 60233	DRAWING NUMBER: 4366	REV. 1
--------	---	--------	------------	-----------	-------	---------------------	--------------------	----------------------	--------