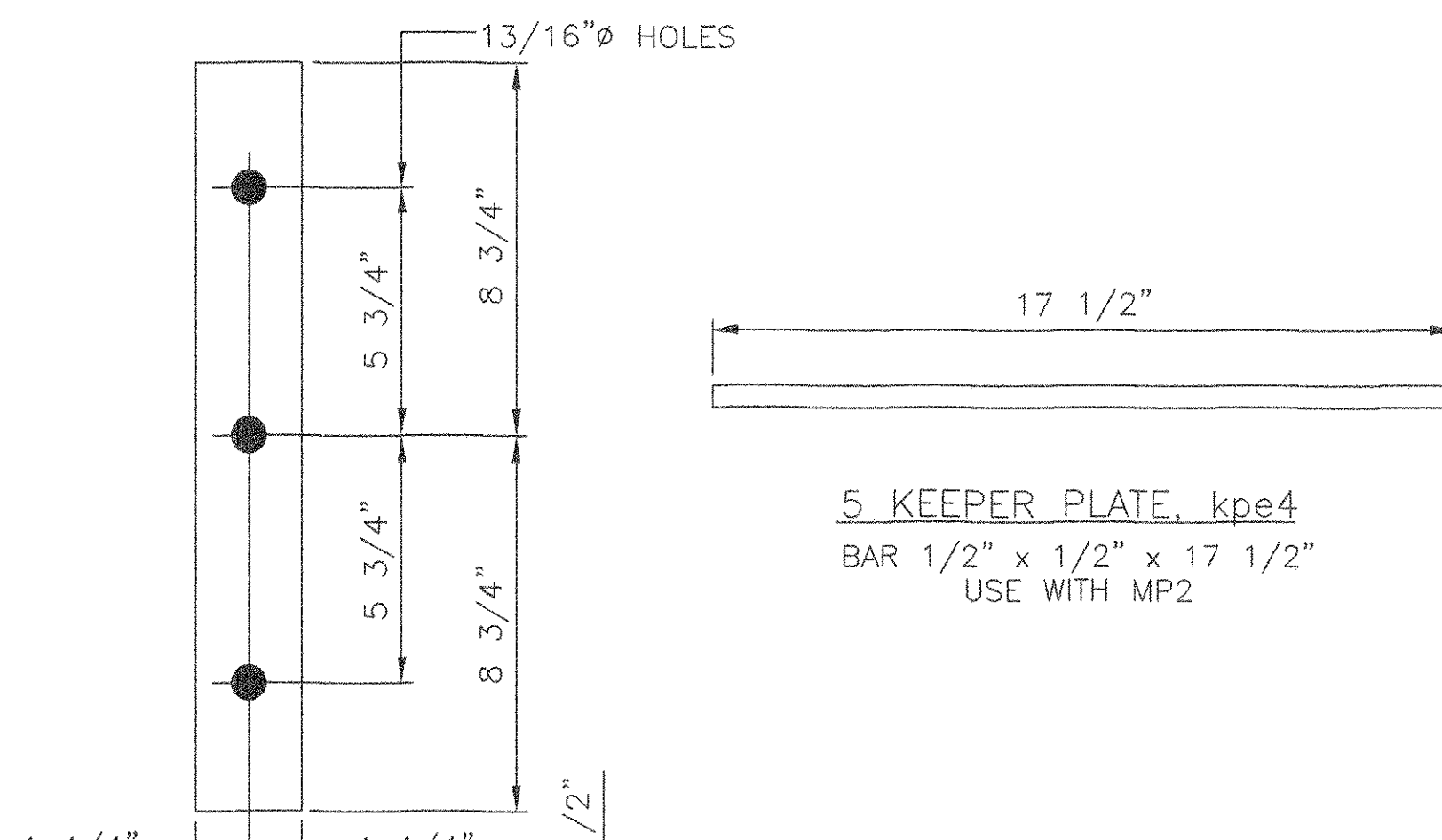
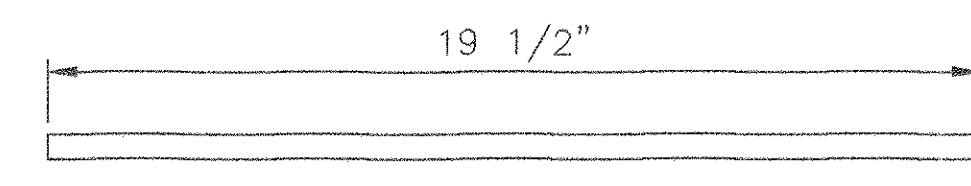


10 KEEPER PLATES, kpb4  
BAR 1/2" x 1/2" x 14 1/2"  
USE WITH MP1



5 KEEPER PLATE, kpe4  
BAR 1/2" x 1/2" x 17 1/2"  
USE WITH MP2



5 KEEPER PLATE, kpg4  
BAR 1/2" x 1/2" x 19 1/2"  
USE WITH MP3

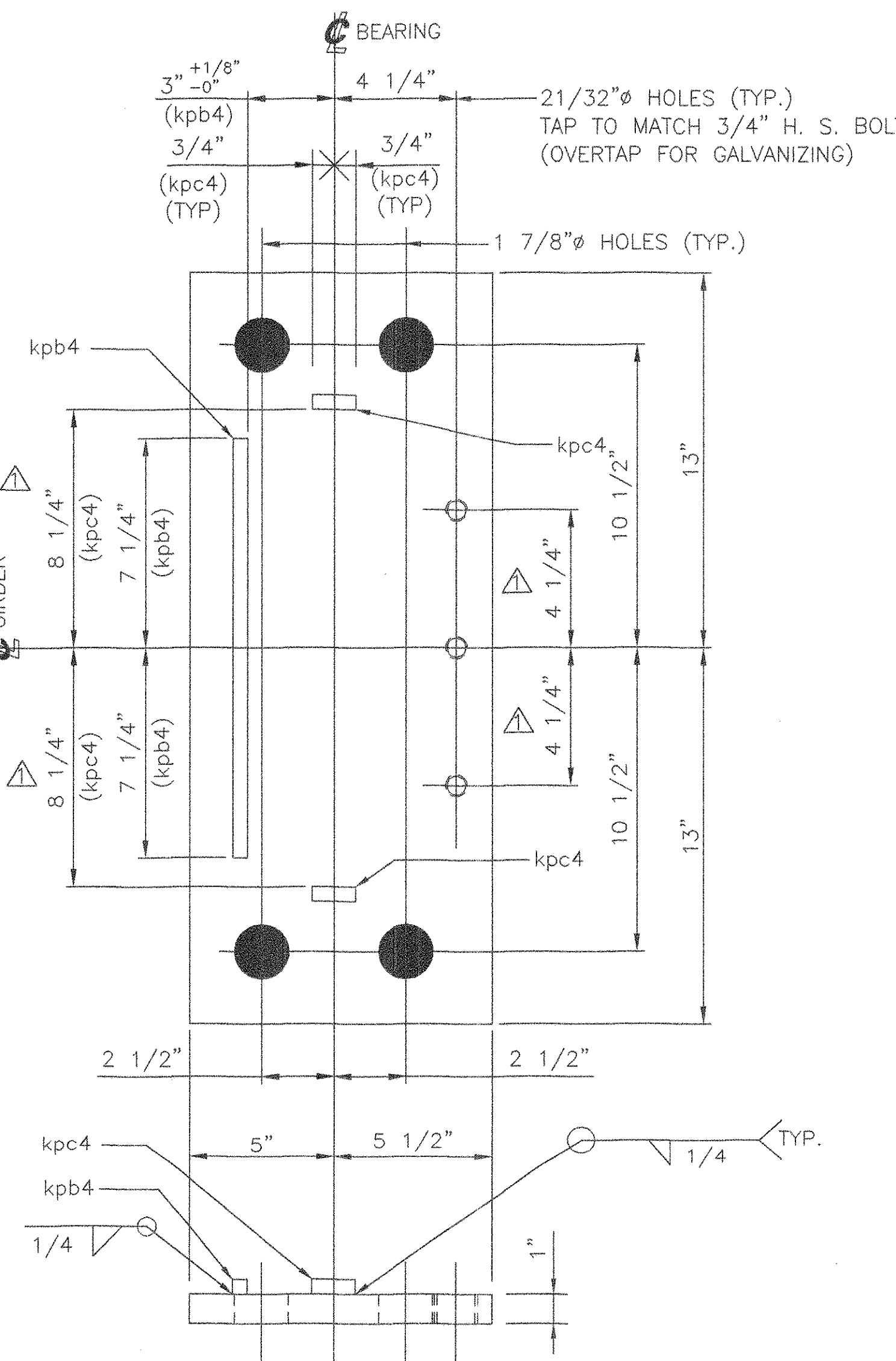
10 KEEPER PLATES, kpa4  
BAR 1/2" x 2 1/2" x 14 1/2"  
METALLIZED  
USE WITH MP1

40 KEEPER PLATES, kpc4  
BAR 1/2" x 1/2" x 1 1/2"  
USE WITH MP1 THRU MP3

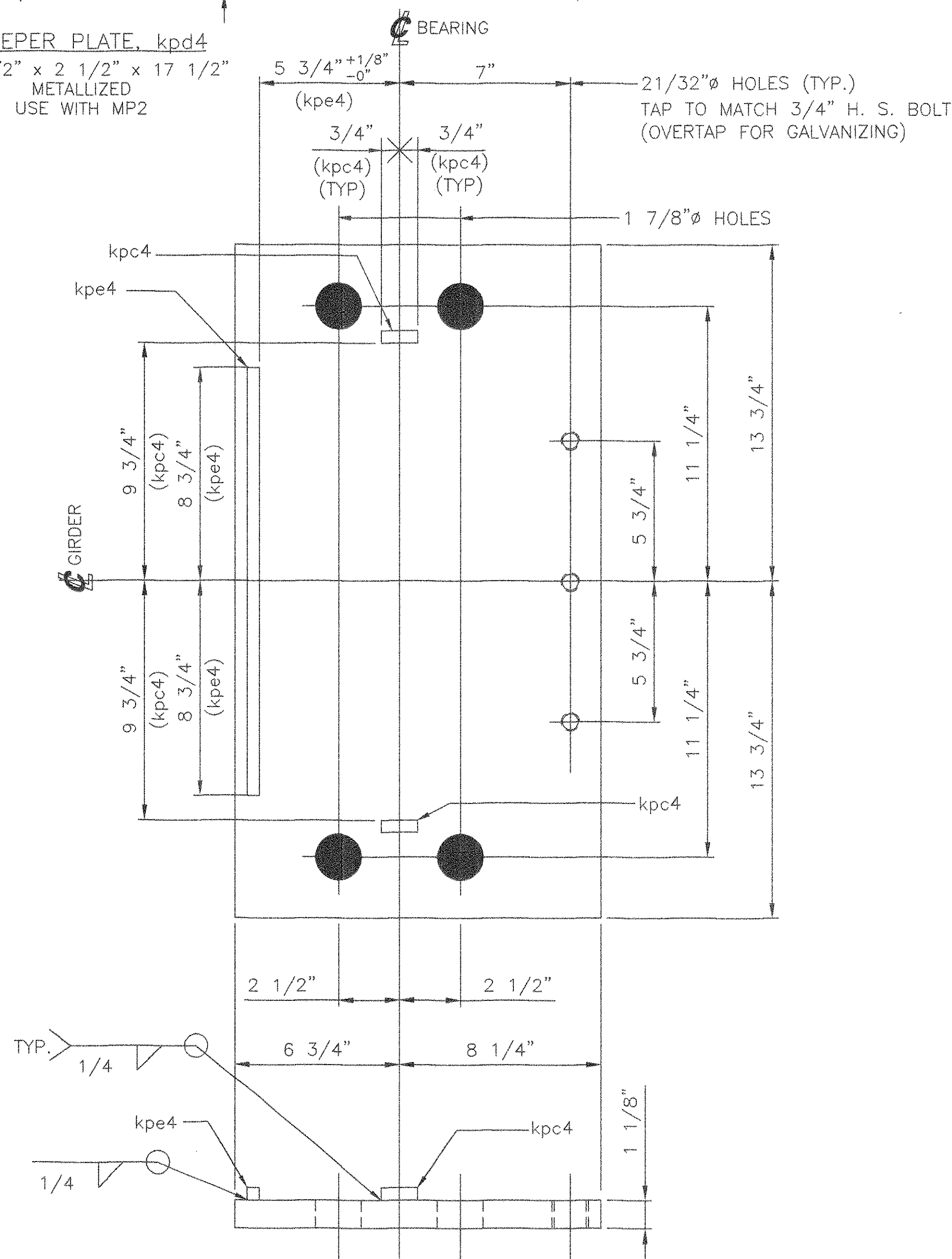
5 KEEPER PLATE, kpd4  
BAR 1/2" x 2 1/2" x 17 1/2"  
METALLIZED  
USE WITH MP2

MARK	QTY	DESCRIPTION	FT	IN	16ths	FAB MARK	MILL MARK	WEIGHT
MP1	10	PL 1" x 10 1/2"	-	26	0	-	METALLIZED	774
.	10	BAR 1/2" x 2 1/2"	-	14	8	kpa4	METALLIZED	51
.	10	BAR 1/2" x 1/2"	-	14	8	kpb4	.	10
.	20	BAR 1/2" x 1/2"	-	1	8	kpc4	.	2
MP2	5	PL 1 1/8" x 15"	-	27	8	-	METALLIZED	658
.	5	BAR 1/2" x 2 1/2"	-	17	8	kpd4	METALLIZED	26
.	5	BAR 1/2" x 1/2"	-	17	8	kpe4	.	6
.	10	BAR 1/2" x 1/2"	-	1	8	kpc4	.	1
MP3	5	PL 1 1/8" x 14"	-	29	8	-	METALLIZED	659
.	5	BAR 1/2" x 2 1/2"	-	19	8	kpf4	METALLIZED	35
.	5	BAR 1/2" x 1/2"	-	19	8	kpg4	.	7
.	10	BAR 1/2" x 1/2"	-	1	8	kpc4	.	1
.	60	3/4" H.S. BOLTS	-	1	8	GALV.	A325 TYPE 1	32
.	60	3/4" H.D. WASHERS	-	-	-	GALV.	F-436	3

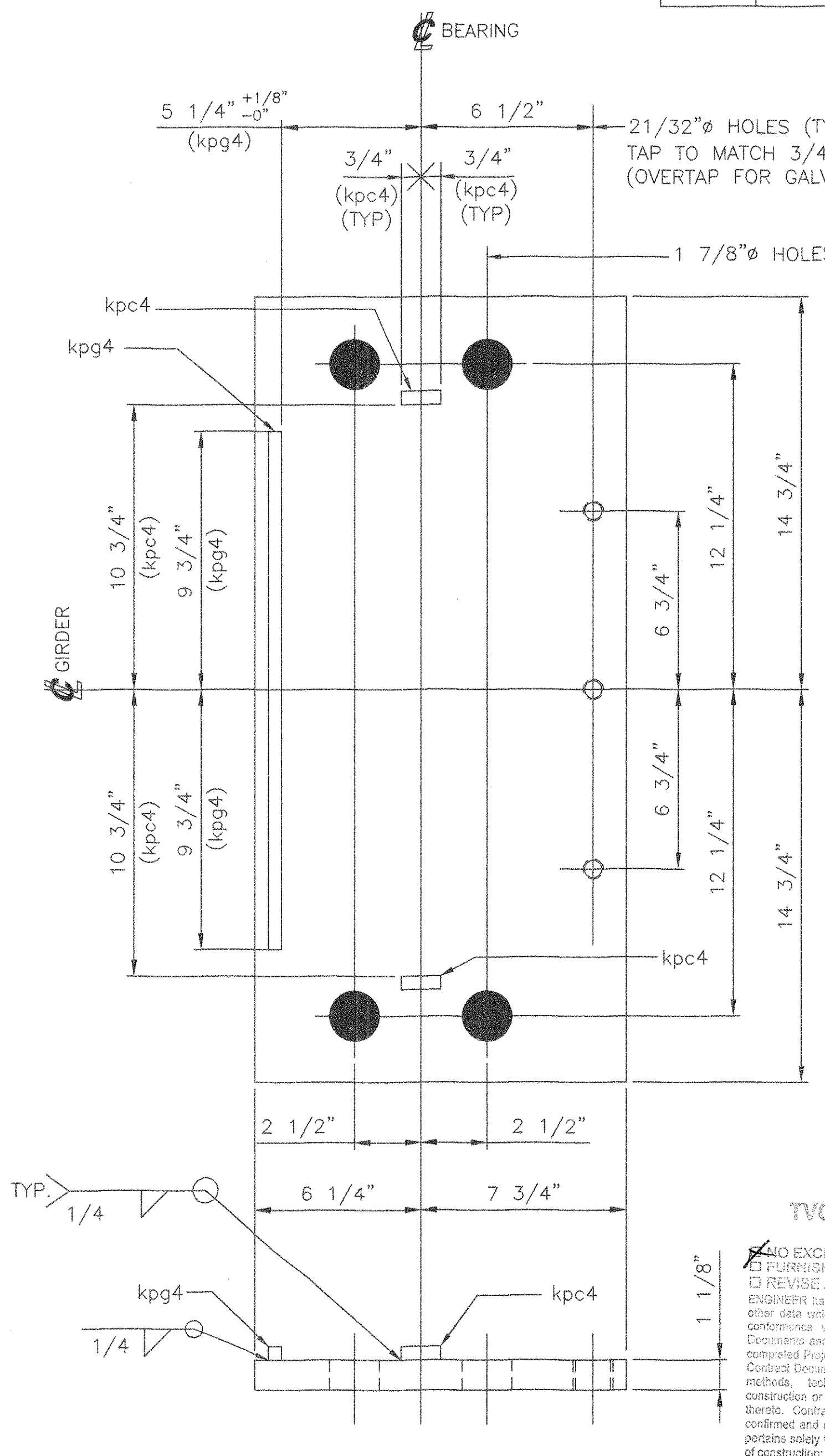
TOTAL GROSS WT = 2265



10 FIXED MASONRY PLATES, MP1  
PL 1" x 10 1/2" x 26"  
METALLIZED  
LOCATE AT  
BRIDGE NO. 51N, ABUT. 1  
AND  
BRIDGE NO. 51S, ABUT. 1

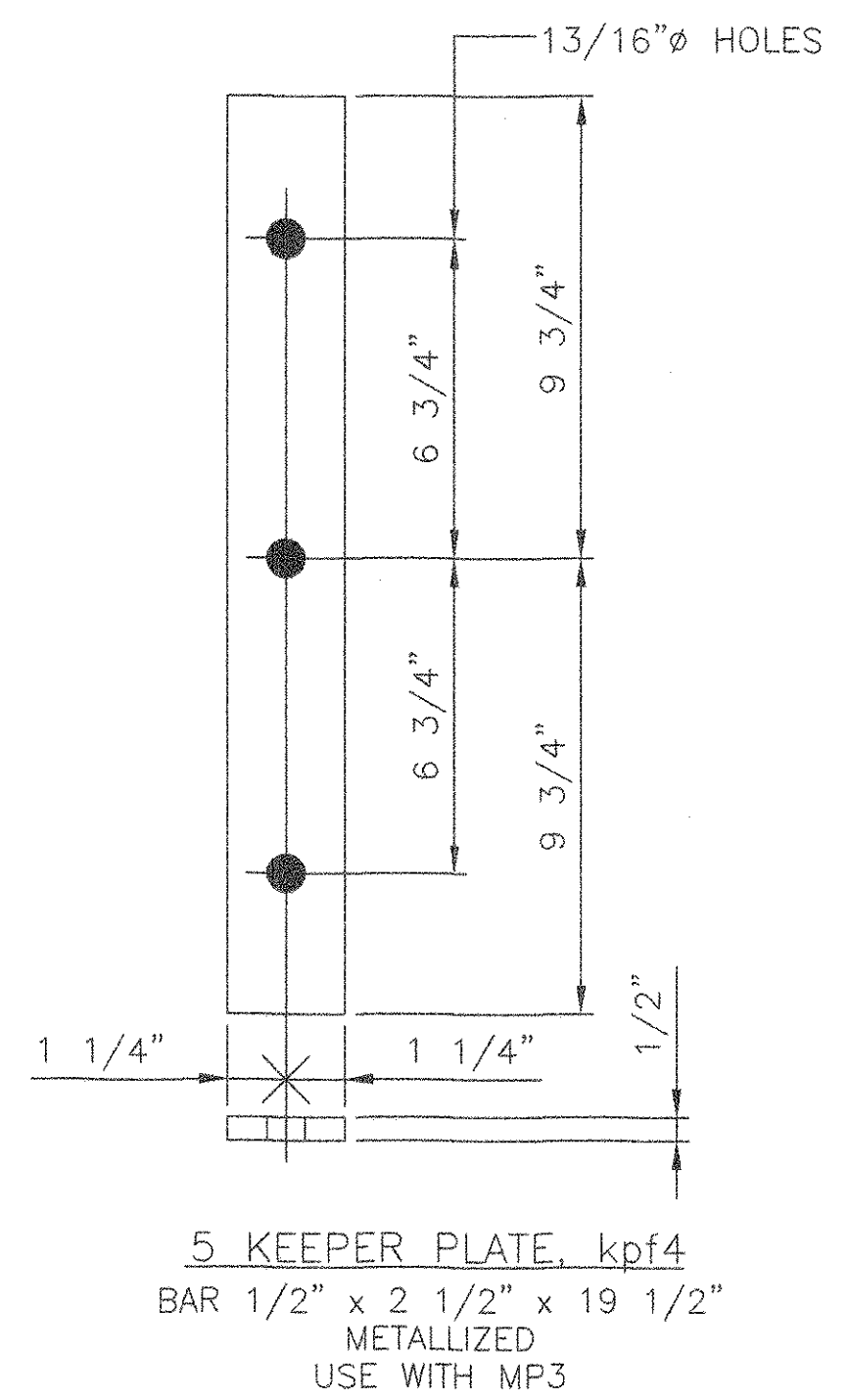


5 FIXED MASONRY PLATE, MP2  
PL 1 1/8" x 15" x 27 1/2"  
METALLIZED  
LOCATE AT  
BRIDGE NO. 51N, PIER 2



5 FIXED MASONRY PLATE, MP3  
PL 1 1/8" x 14" x 29 1/2"  
METALLIZED  
LOCATE AT  
BRIDGE NO. 51S, PIER 3

TVCA CONSULTANTS  
NO EXCEPTIONS TAKEN  
FLUSH AS CORRECTED  
REVIS AND REQUIT  
ENGINEER has reviewed Shop Drawings and Samples and other data which Contractor is required to submit, and for performance with the Subcontract given in the Contract Documents and approved with the design notes. If the completed Project as a functioning whole as indicated in the Contract Documents, such as items indicated in the Contract Documents, including surveys or specifications of construction or to safety precautions and programs related thereto. Contractor is responsible for dimensions to be confirmed and compliance at the job site; for information that pertains solely to the fabrication process or to techniques of construction; and for coordination of the work of all trades.



5 KEEPER PLATE, kpf4  
BAR 1/2" x 2 1/2" x 19 1/2"  
METALLIZED  
USE WITH MP3

SEE SHEET AS1 FOR ASSEMBLY NOTES.  
SEE SHEET 1 FOR SHOP NOTES.

STATE OF VERMONT  
AGENCY OF TRANSPORTATION  
TOWN OF BOLTON  
PROJECT NO.: IM-089-2 (29)  
BRIDGE NO.'S 51N AND 51S  
ON INTERSTATE 89

COSMEC, INC.		70 SOUTH STREET WALPOLE, MA. 02081	
SCALE: 1/4"=1"	DRAWN BY: JEP	CHECKED BY: PJM	
SHT 4 OF 12	DATE: 01/05	DATE: 02/05	
COSMEC BEARING		bb 318	
CUSTOMER: WINTERSET	S.O. NUMBER: 60233	DRAWING NUMBER: 4363	REV. 1

REV.	REVISED HOLE SPACING ON kpa4	BY:	DATE:	CHK'D BY:	DATE:
1	REVISED HOLE SPACING ON MP1	MM	4/05		
2	REVISED BAR SPACING ON MP1				