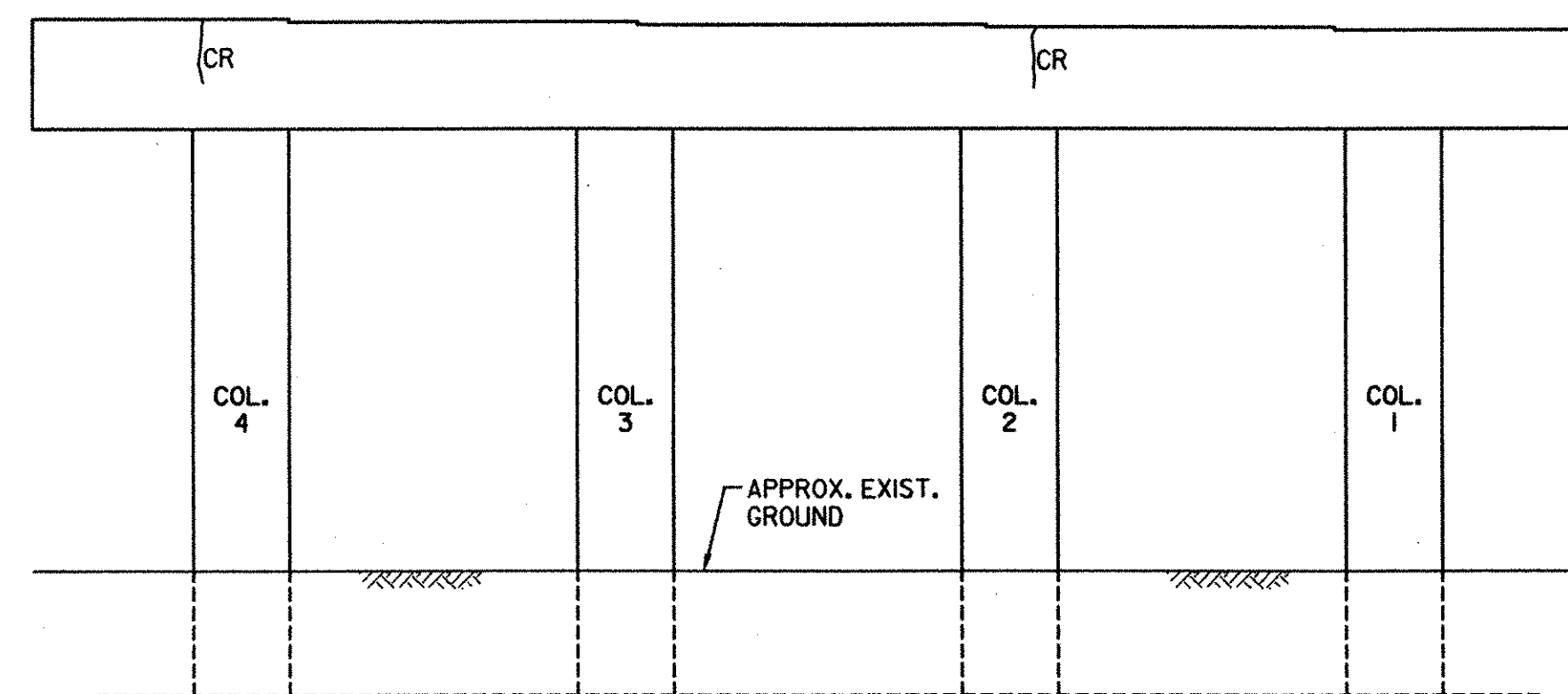


(PIER 4 SIDE)



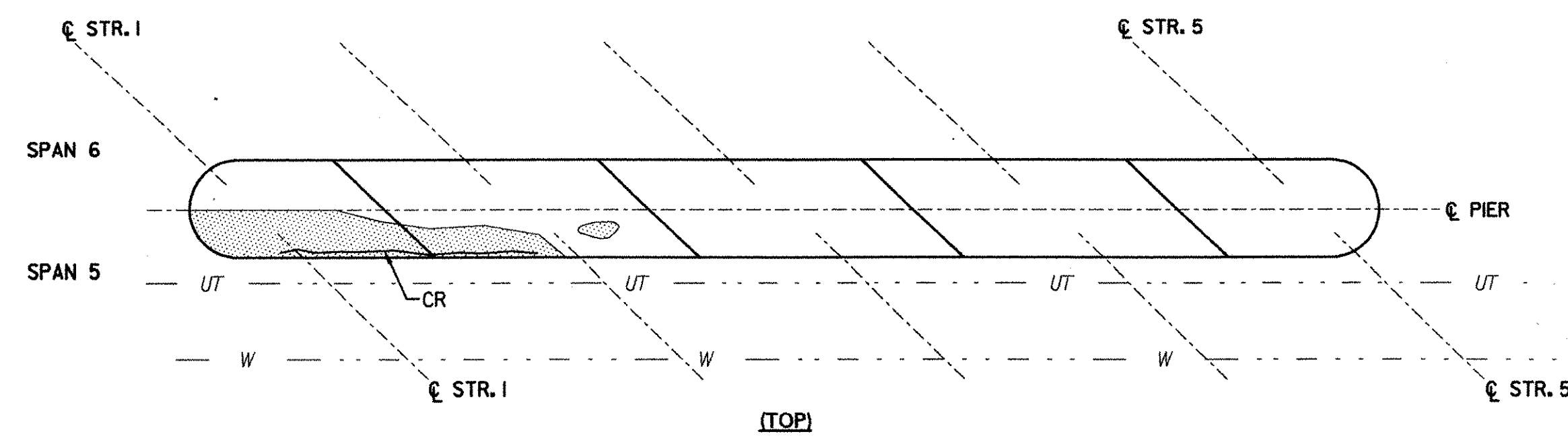
(ABUT. 2 SIDE)

**PIER 5 ELEVATIONS**

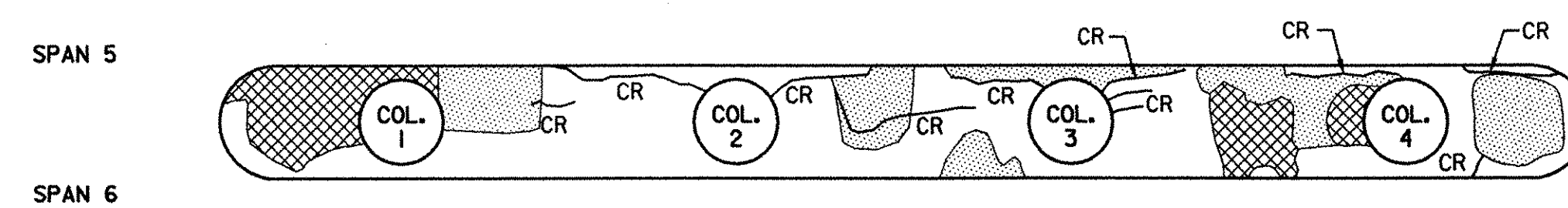
SCALE: 3/16"=1'-0"

**ABBREVIATIONS**  
 CR CRACK  
 PA PREVIOUSLY PATCHED AREA

**LEGEND**  
 CRACK  
 DELAMINATED AREA  
 SPALLED AREA  
 DEEPLY SPALLED WITH EXPOSED REBAR  
 UNDERGROUND TELEPHONE — UT —  
 WATERLINE — W —  
 EXISTING GROUND



(TOP)



(BOTTOM)

**PIER 5 CAP**

SCALE: 3/16"=1'-0"

**STATE OF VERMONT  
 AGENCY OF TRANSPORTATION**

Town Of	BOLTON	Bridge No.	515
Highway No.	I-89	Log Sta.	
		Surv. Sta.	
I-89 SB OVER U.S. ROUTE 2 & JOINER BROOK			
<b>EXIST. SUBSTR. CONDITION (515) (3 OF 4)</b>			
Designed By	P.W. SZUSTAK	Drawn By	R.A. BOTZENHART
Checked By	J.P. HALSTEAD	Date	10/99
		Bridge Design Supervisor	J.P. HALSTEAD Date 10/99
PROJECT	BOLTON	PROJECT NO.	IM-089-2(29)
		Date	10/99
TVGA CAD Drawing No.	5isplers		
Bridge Sheet No.	SC-22	Sheet	156 of 307