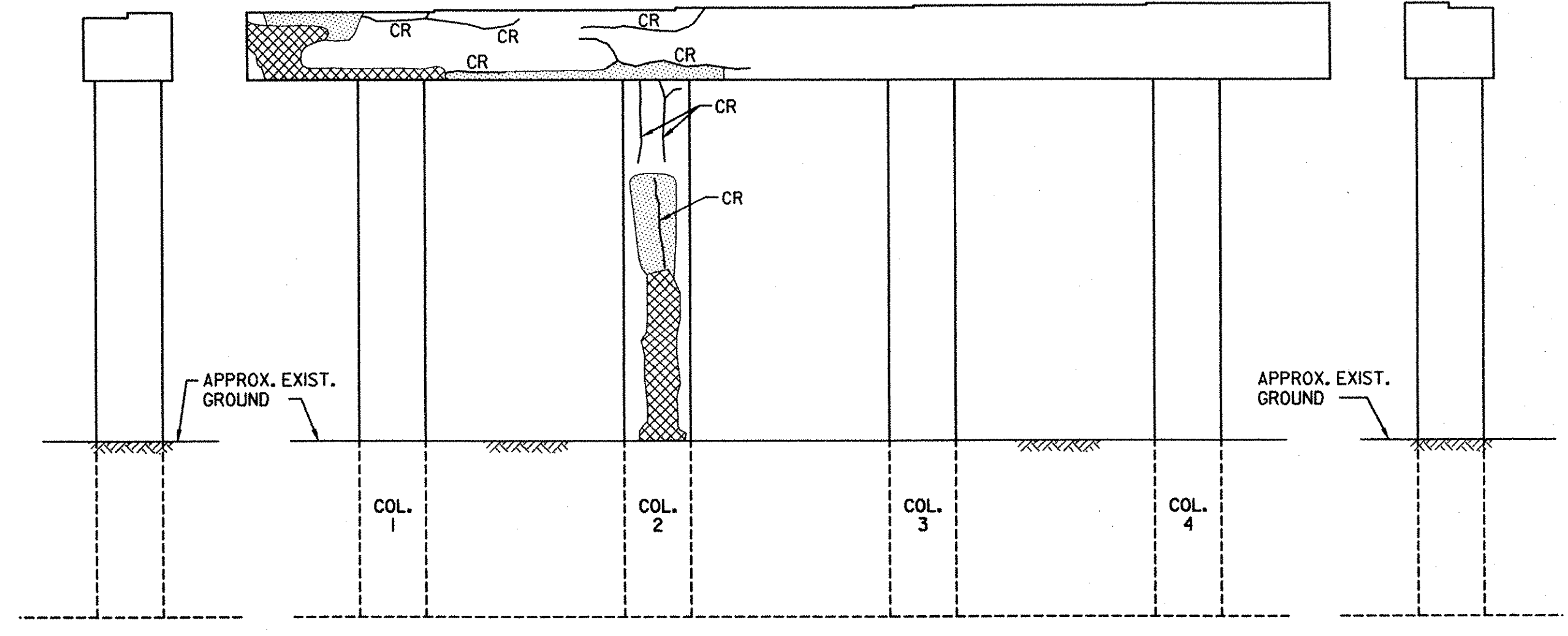
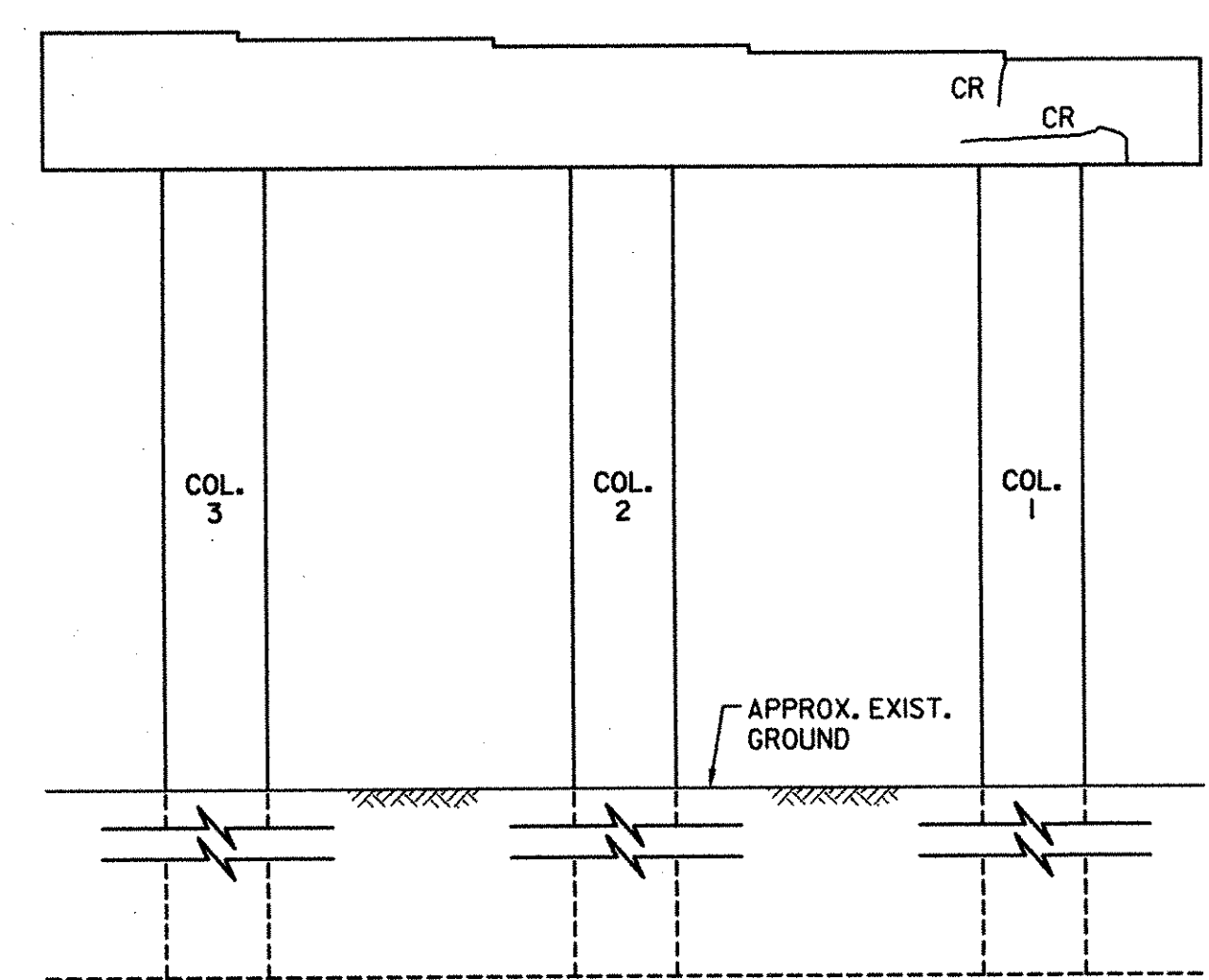


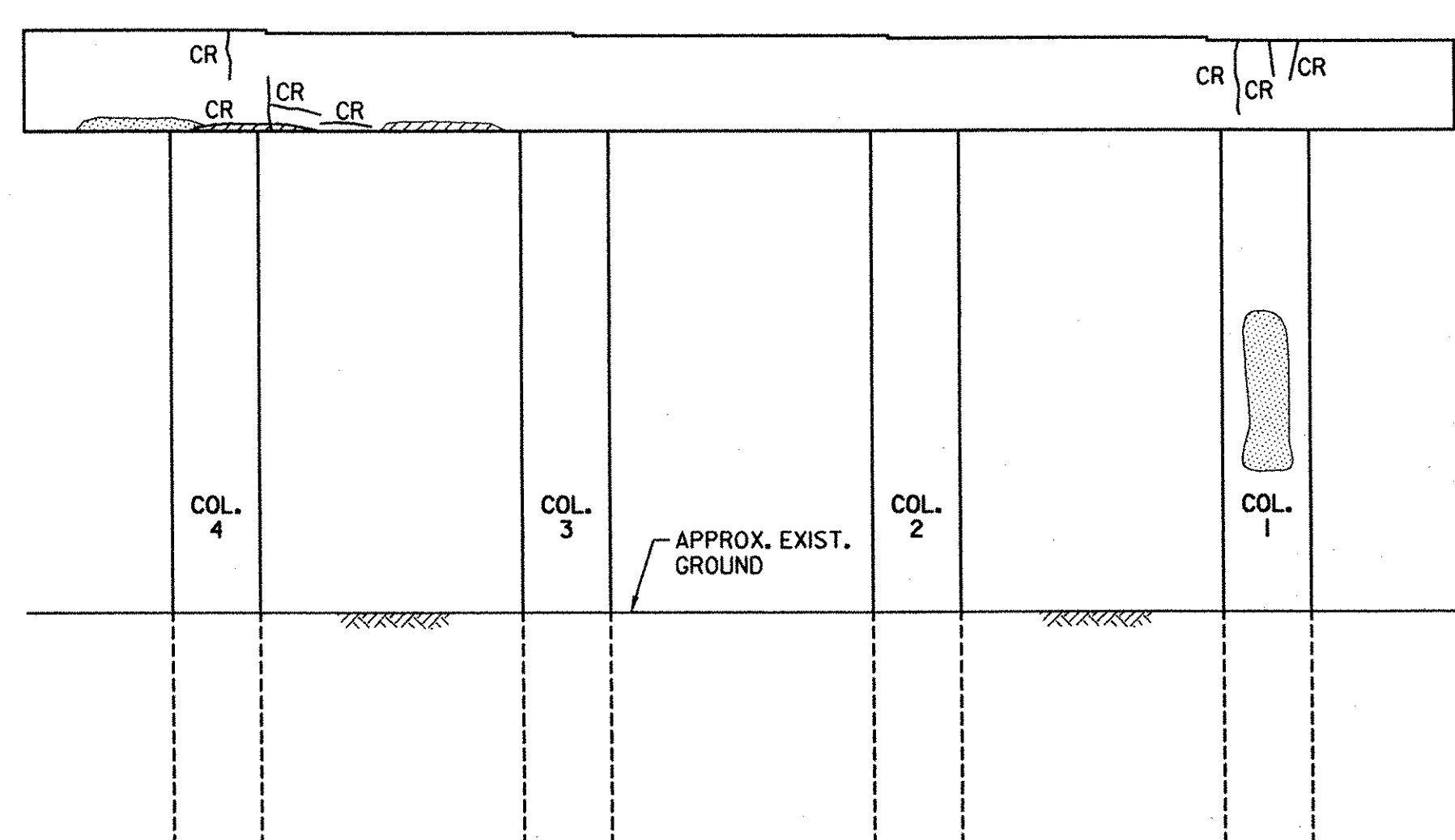
(PIER 2 SIDE)



(PIER 3 SIDE)



(PIER 4 SIDE)



(PIER 5 SIDE)

PIER 3 ELEVATIONS
SCALE: 3/16"=1'-0"

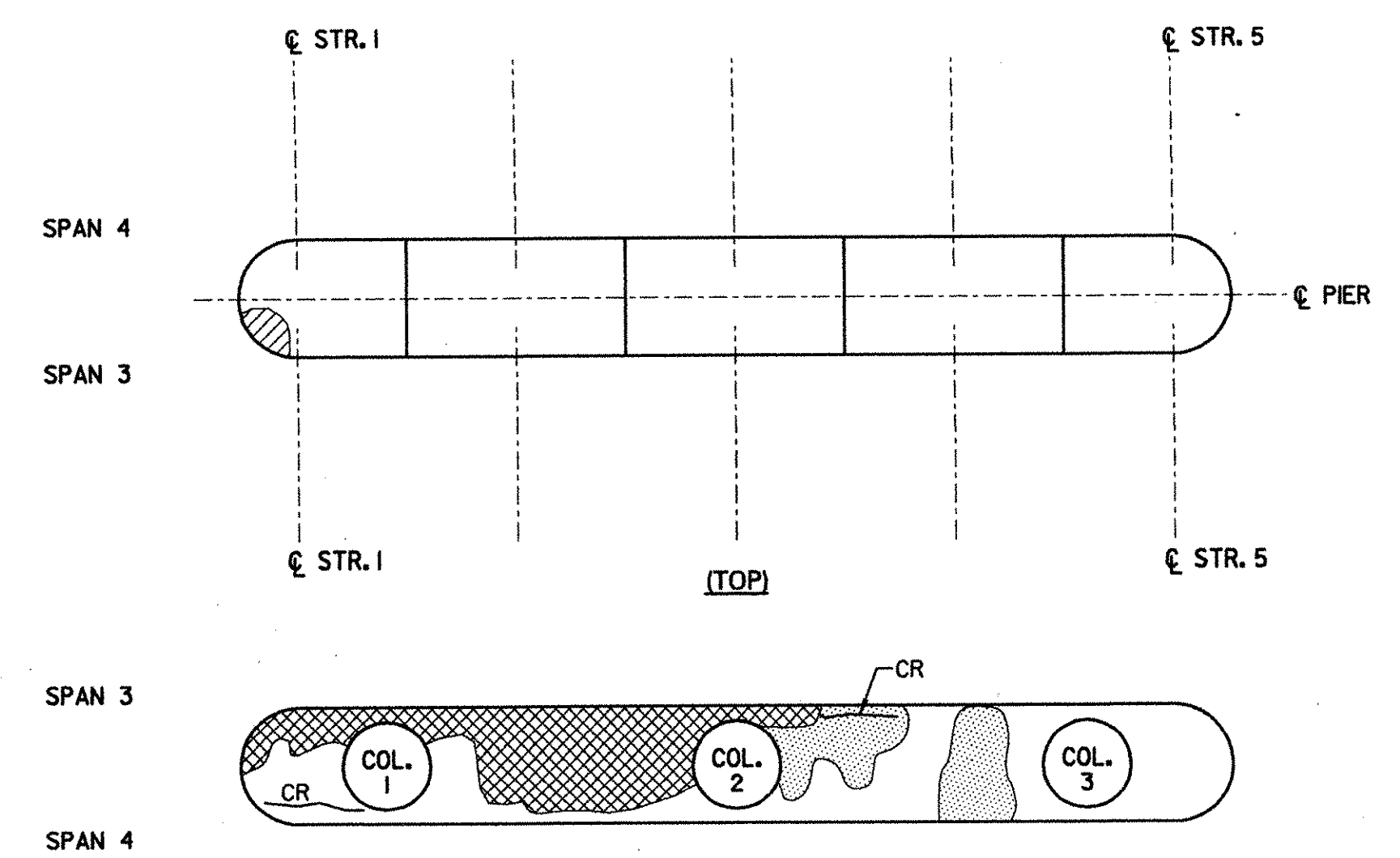
PIER 4 ELEVATIONS
SCALE: 3/16"=1'-0"

ABBREVIATIONS

- CR CRACK
- PA PREVIOUSLY PATCHED AREA

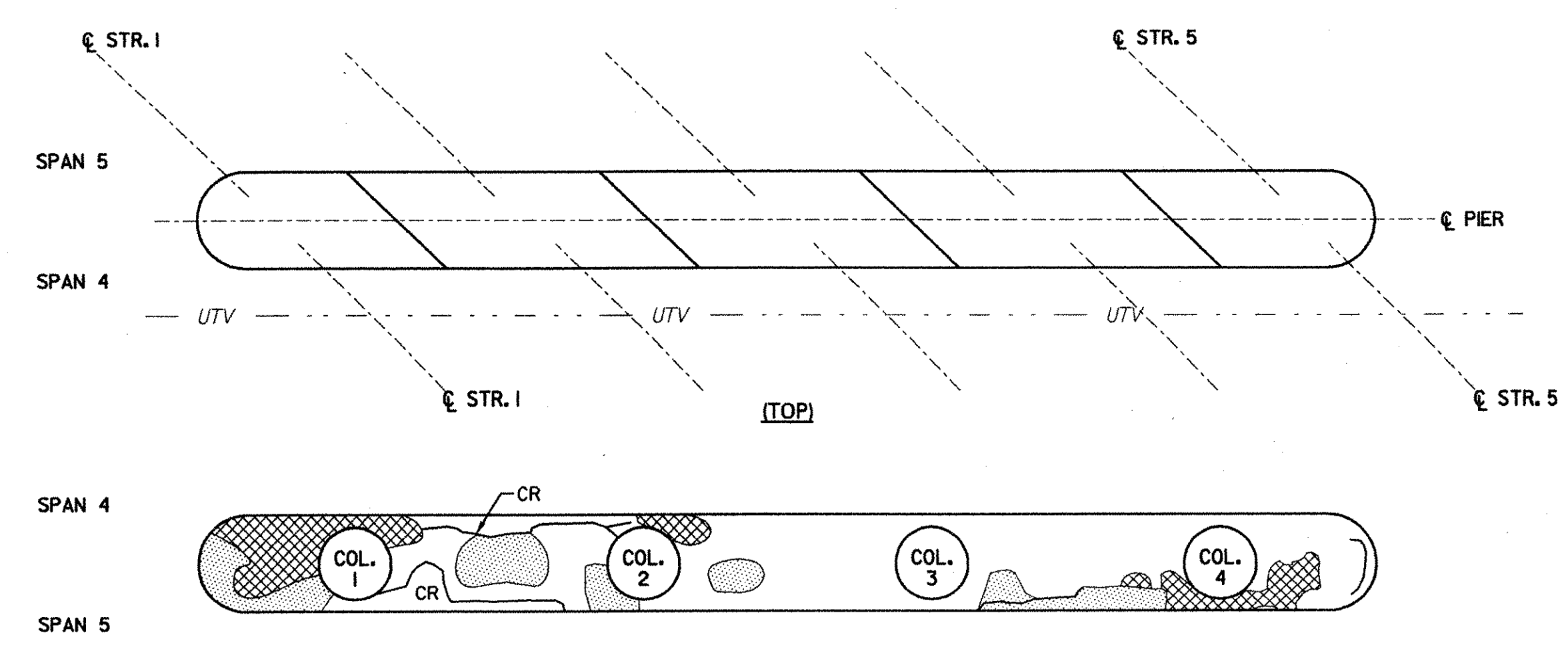
LEGEND

- CRACK
- DELAMINATED AREA
- SPALLED AREA
- DEEPLY SPALLED WITH EXPOSED REBAR
- UNDERGROUND CABLE TV
- EXISTING GROUND



(TOP)

PIER 3 CAP
SCALE: 3/16"=1'-0"



(TOP)

PIER 4 CAP
SCALE: 3/16"=1'-0"

STATE OF VERMONT
AGENCY OF TRANSPORTATION

Town Of	BOLTON	Bridge No.	515
Highway No.	I-89	Log Sta.	
		Surv. Sta.	
I-89 SB OVER U.S. ROUTE 2 & JOINER BROOK			
EXIST. SUBSTR. CONDITION (515) (2 OF 4)			
Designed By	P.W. SZUSTAK	Drawn By	R.A. BOTZENHART
Checked By	J.P. HALSTEAD	Date	10/99
		Bridge Design Supervisor	J.P. HALSTEAD
		Date	10/99
PROJECT	BOLTON	PROJECT NO.	IM-089-2(29)
		TVGA CAD Drawing No.	5isplers
		Date	10/99
		Bridge Sheet No.	SC-21
		Sheet	155 of 307