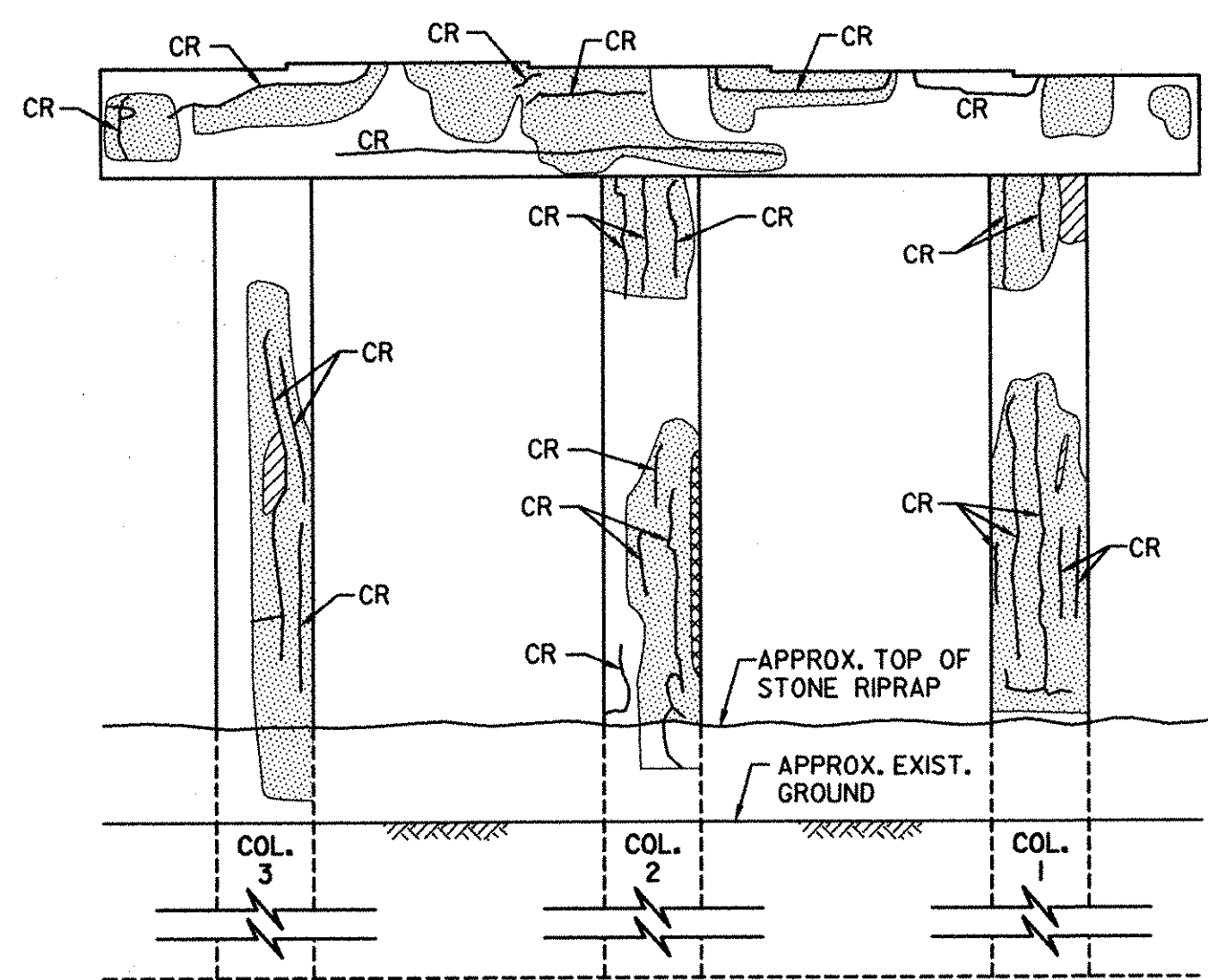


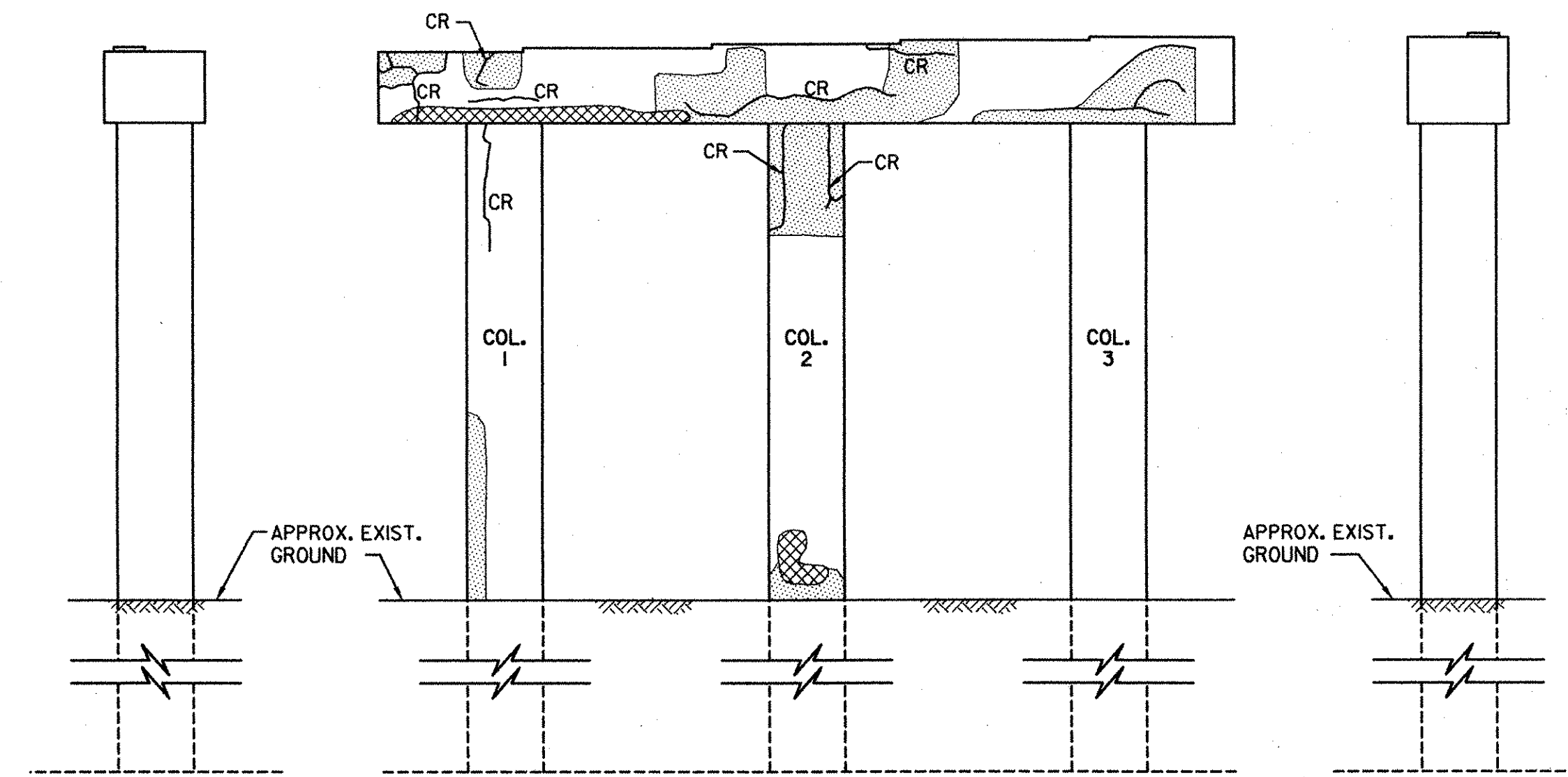
(ABUT. 1 SIDE)



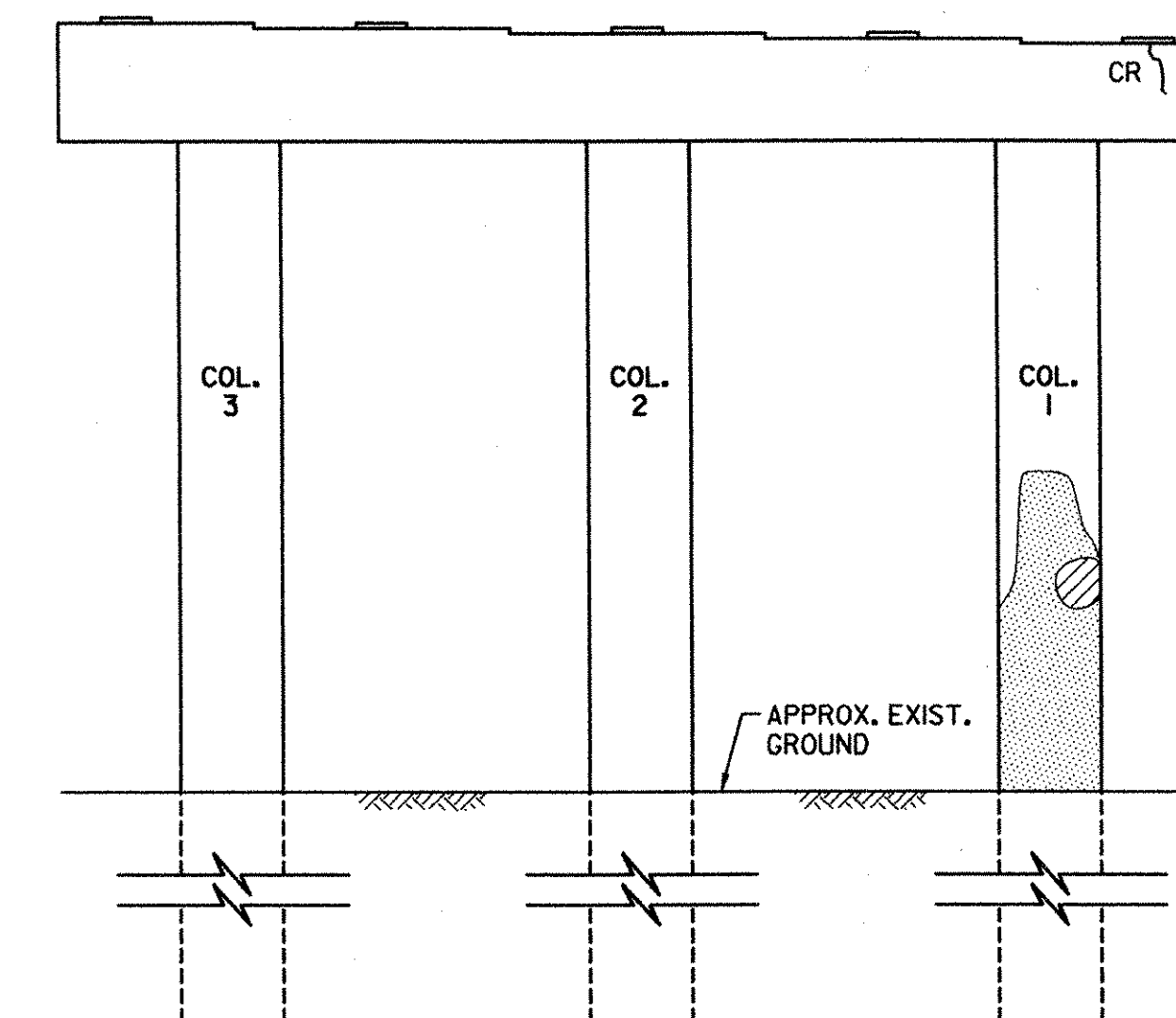
(PIER 2 SIDE)

PIER 1 ELEVATIONS

SCALE: 3/16"=1'-0"



(PIER 1 SIDE)



(PIER 3 SIDE)

PIER 2 ELEVATIONS

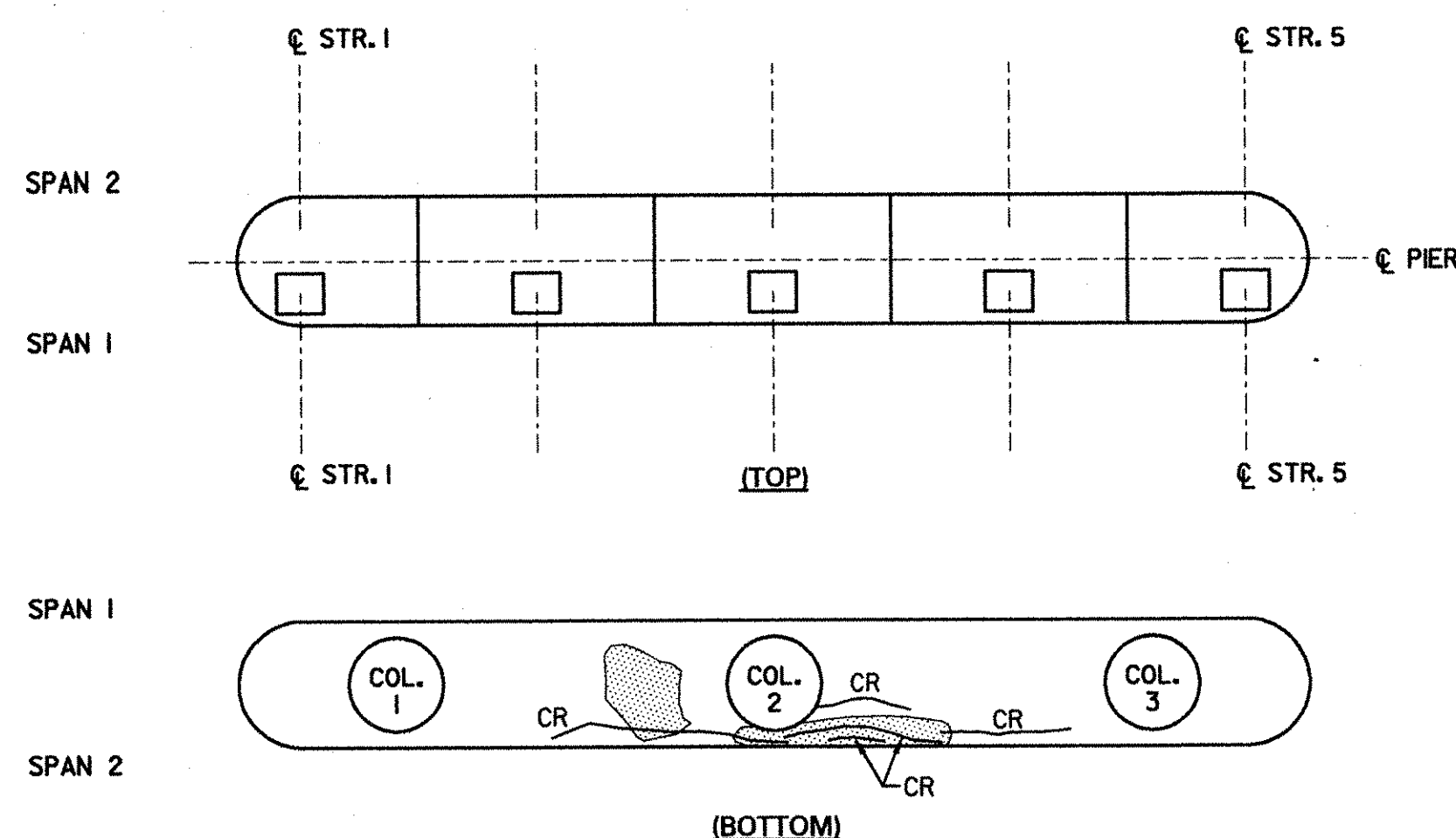
SCALE: 3/16"=1'-0"

ABBREVIATIONS

CR CRACK
PA CRACK PREVIOUSLY PATCHED AREA

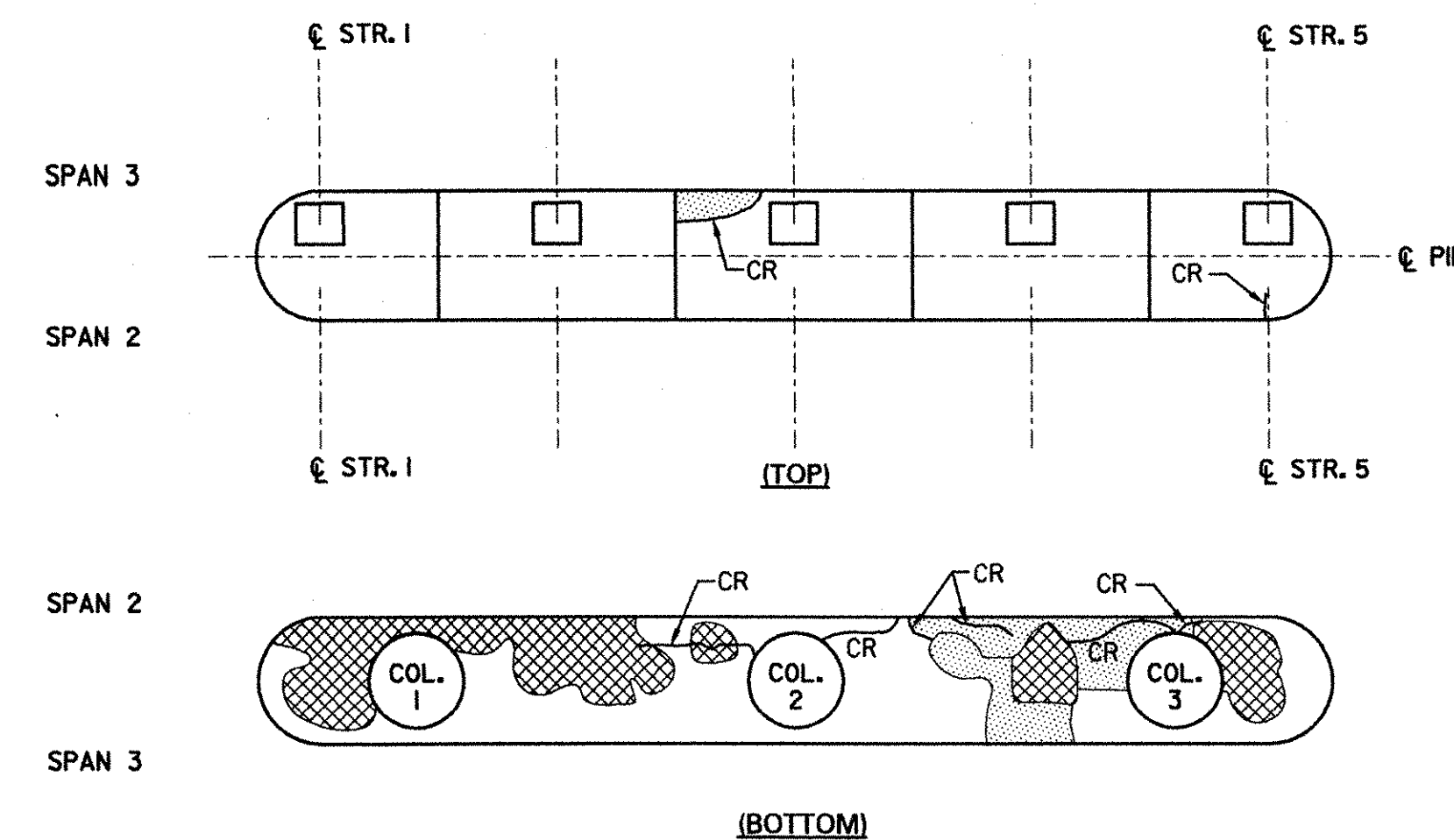
LEGEND

CRACK
DELAMINATED AREA
SPALLED AREA
DEEPLY SPALLED WITH EXPOSED REBAR
EXISTING GROUND



PIER 1 CAP

SCALE: 3/16"=1'-0"



PIER 2 CAP

SCALE: 3/16"=1'-0"

**STATE OF VERMONT
AGENCY OF TRANSPORTATION**

Town Of	BOLTON	Bridge No.	51S
Highway No.	I-89	Log Sta.	
		Surv. Sta.	
I-89 SB OVER U.S. ROUTE 2 & JOINER BROOK			
EXIST. SUBSTR. CONDITION (51S) (1 OF 4)			
Designed By	P.W. SZUSTAK	Drawn By	R.A. BOTZENHART
Checked By	J.P. HALSTEAD	Date	10/99
		Bridge Design Supervisor	J.P. HALSTEAD
		Date	10/99
PROJECT	BOLTON	PROJECT NO.	IM-089-2(29)
TVGA CAD Drawing No.	5isplers	Date	10/99
Bridge Sheet No.	SC-20	Sheet	154 of 307

TVGA TVGA ENGINEERING,
SURVEYING, P.C.