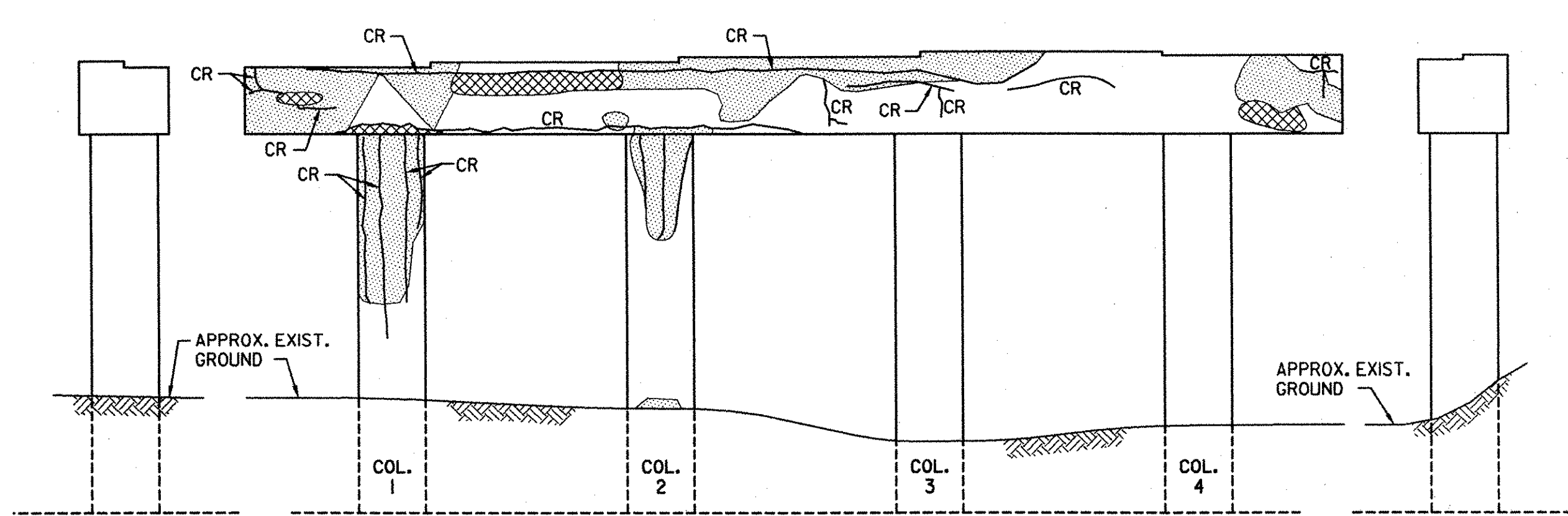
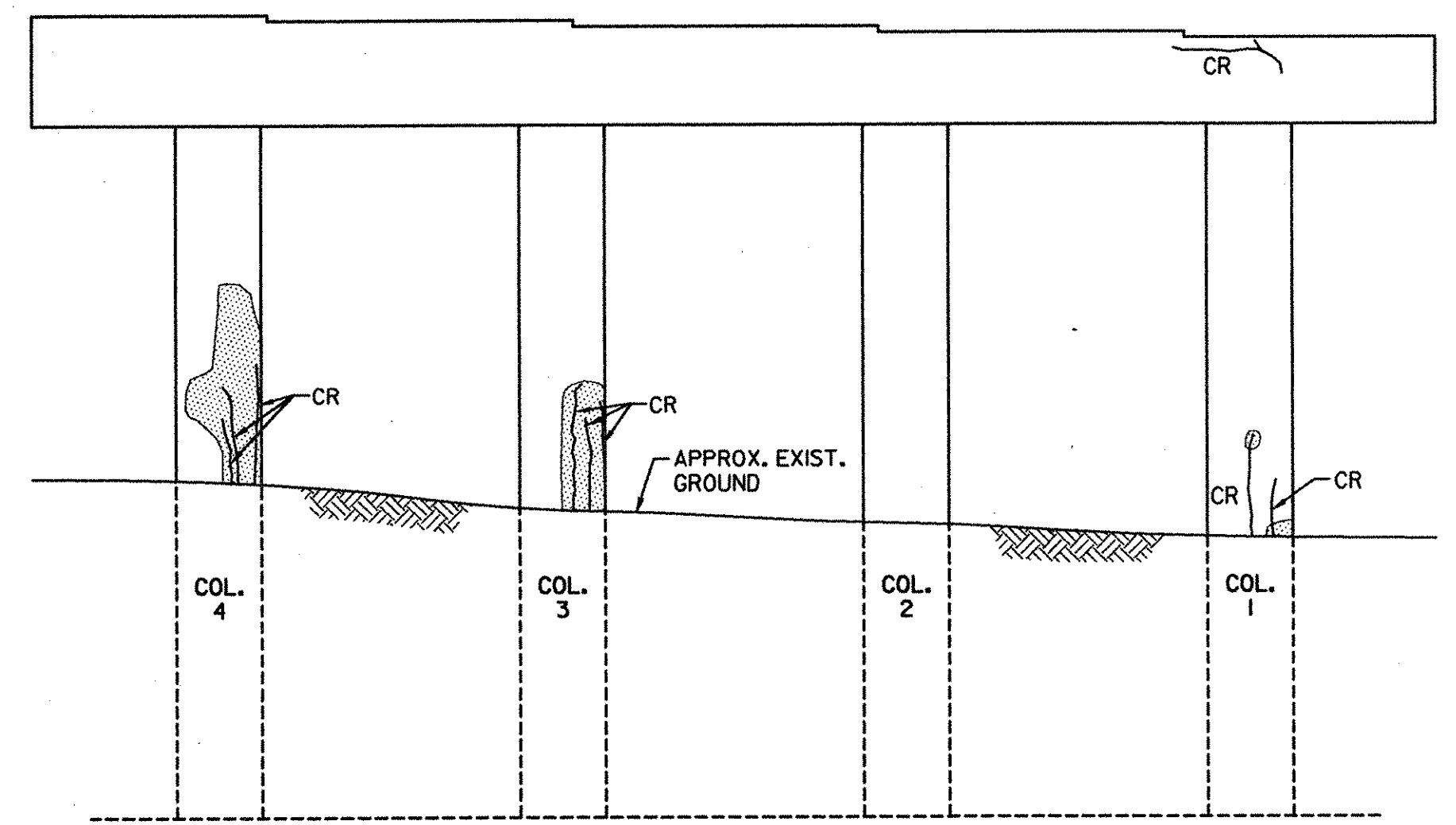


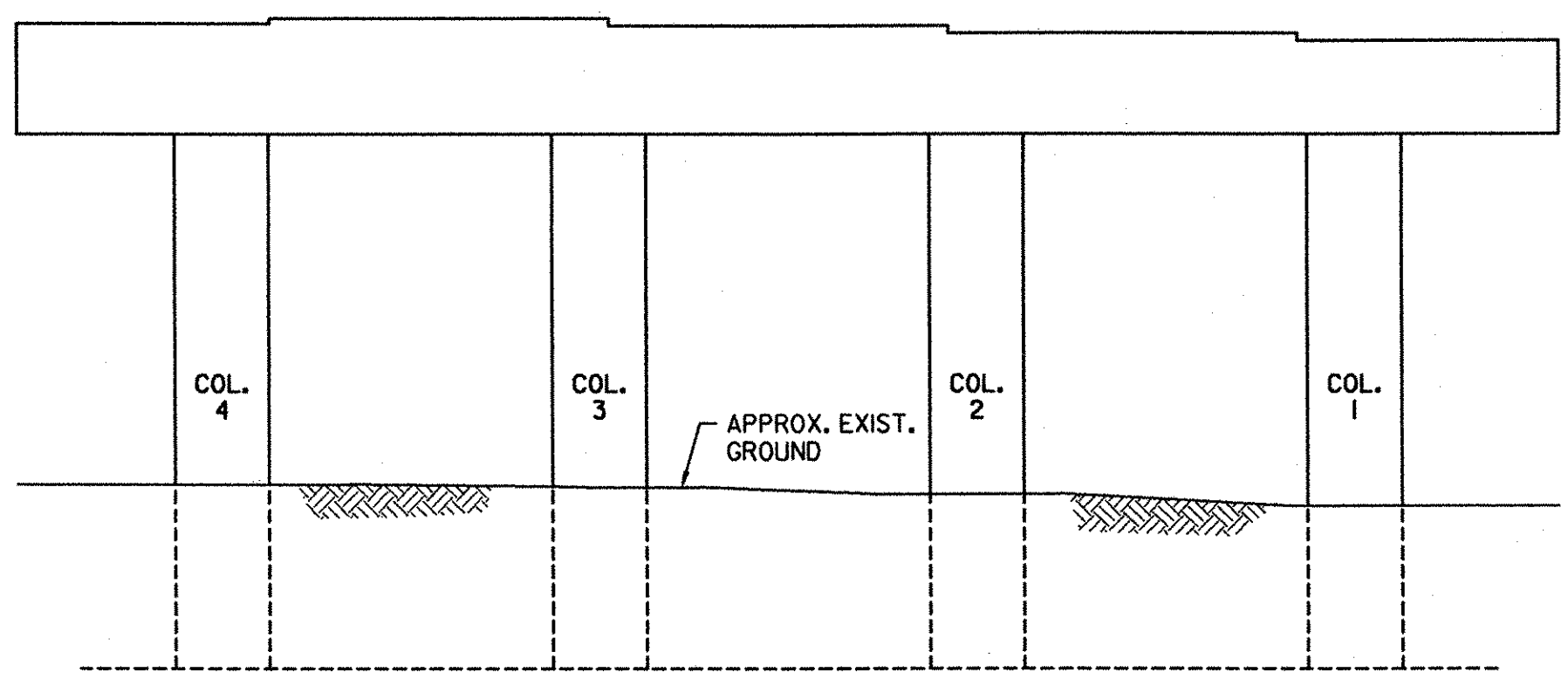
(PIER 2 SIDE)



(PIER 3 SIDE)



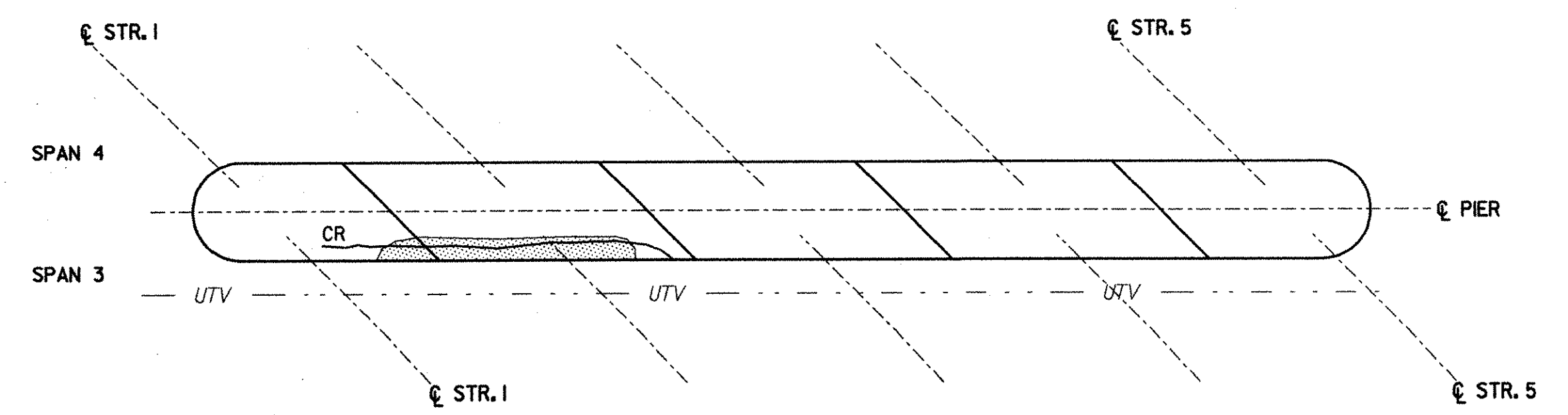
(PIER 4 SIDE)
PIER 3 ELEVATIONS
SCALE: 3/16"=1'-0"



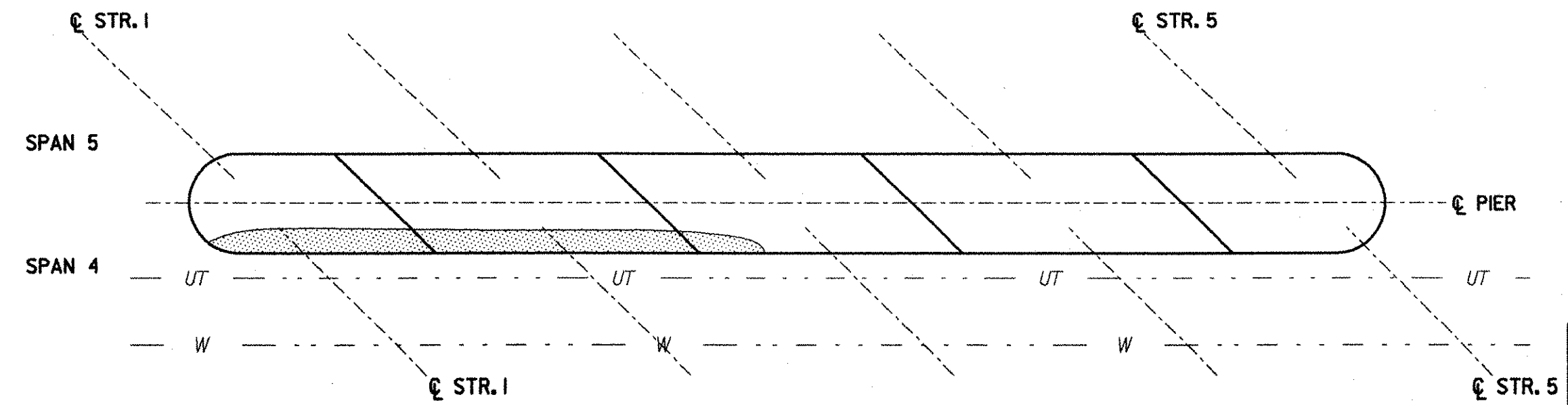
(ABUT. 2 SIDE)
PIER 4 ELEVATIONS
SCALE: 3/16"=1'-0"

ABBREVIATIONS
CR CRACK
PA PREVIOUSLY PATCHED AREA

LEGEND
CRACK
DELAMINATED AREA
SPALLED AREA
DEEPLY SPALLED WITH EXPOSED REBAR
UNDERGROUND TELEPHONE — UT —
UNDERGROUND CABLE TV — UTV —
WATERLINE — W —
EXISTING GROUND



(TOP)
(BOTTOM)
PIER 3 CAP
SCALE: 3/16"=1'-0"



(TOP)
(BOTTOM)
PIER 4 CAP
SCALE: 3/16"=1'-0"

STATE OF VERMONT AGENCY OF TRANSPORTATION	
Town Of BOLTON	Bridge No. 51N
Highway No. I-89	Log Sta. Surv. Sta.
I-89 NB OVER U.S. ROUTE 2 & JOINER BROOK	
EXIST. SUBSTR. CONDITION (51N) (2 OF 3)	
Designed By P.W. SZUSTAK	Drawn By R.A. BOTZENHART
Checked By J.P. HALSTEAD	Bridge Design Supervisor J.P. HALSTEAD
Date 10/99	Date 10/99
PROJECT BOLTON	PROJECT NO. IM-089-2(29)
TVGA CAD Drawing No. Simplers	Date 10/99
Bridge Sheet No. SC-18	Sheet 152 of 307

TVGA TVGA ENGINEERING,
SURVEYING, P.C.