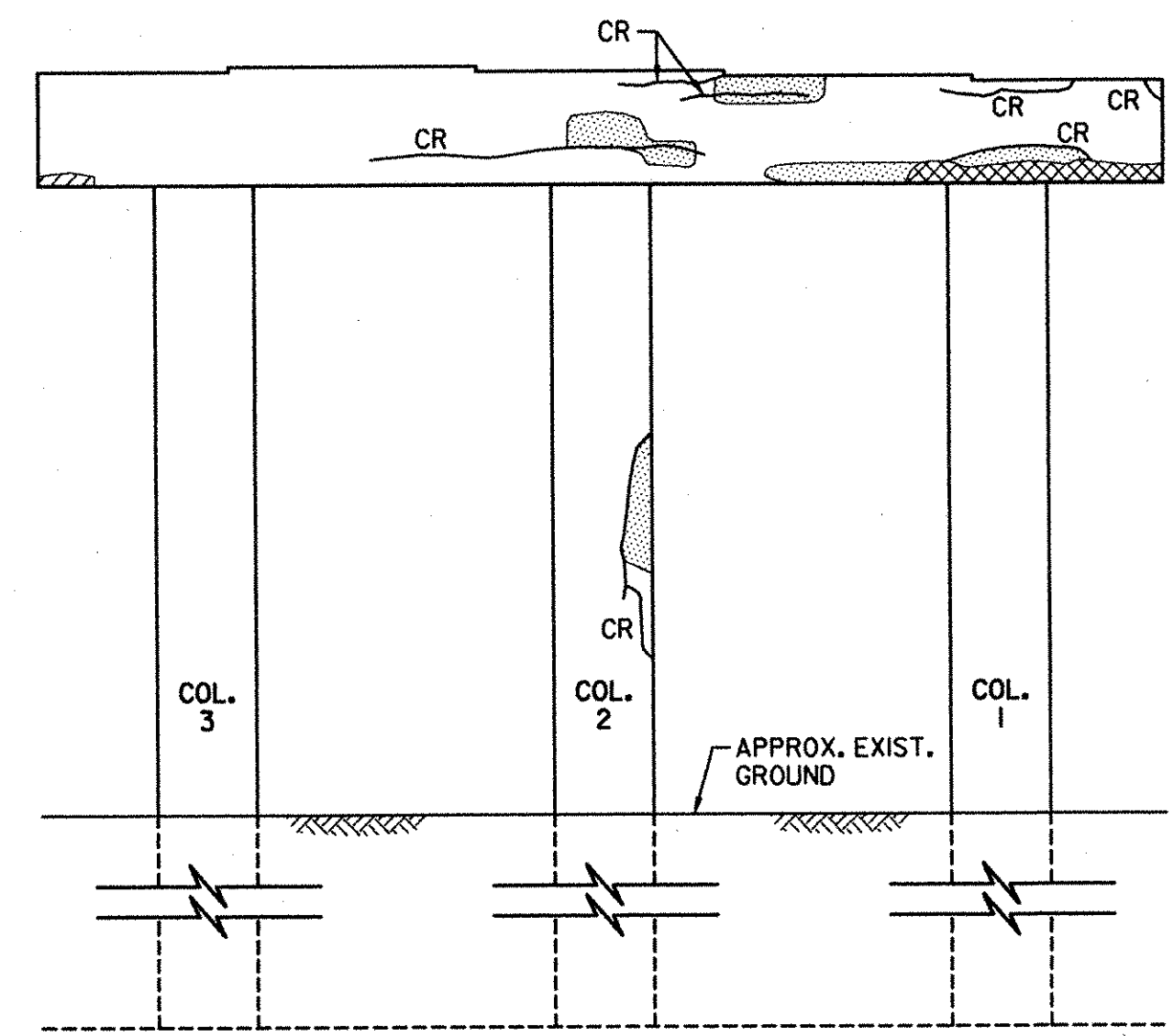
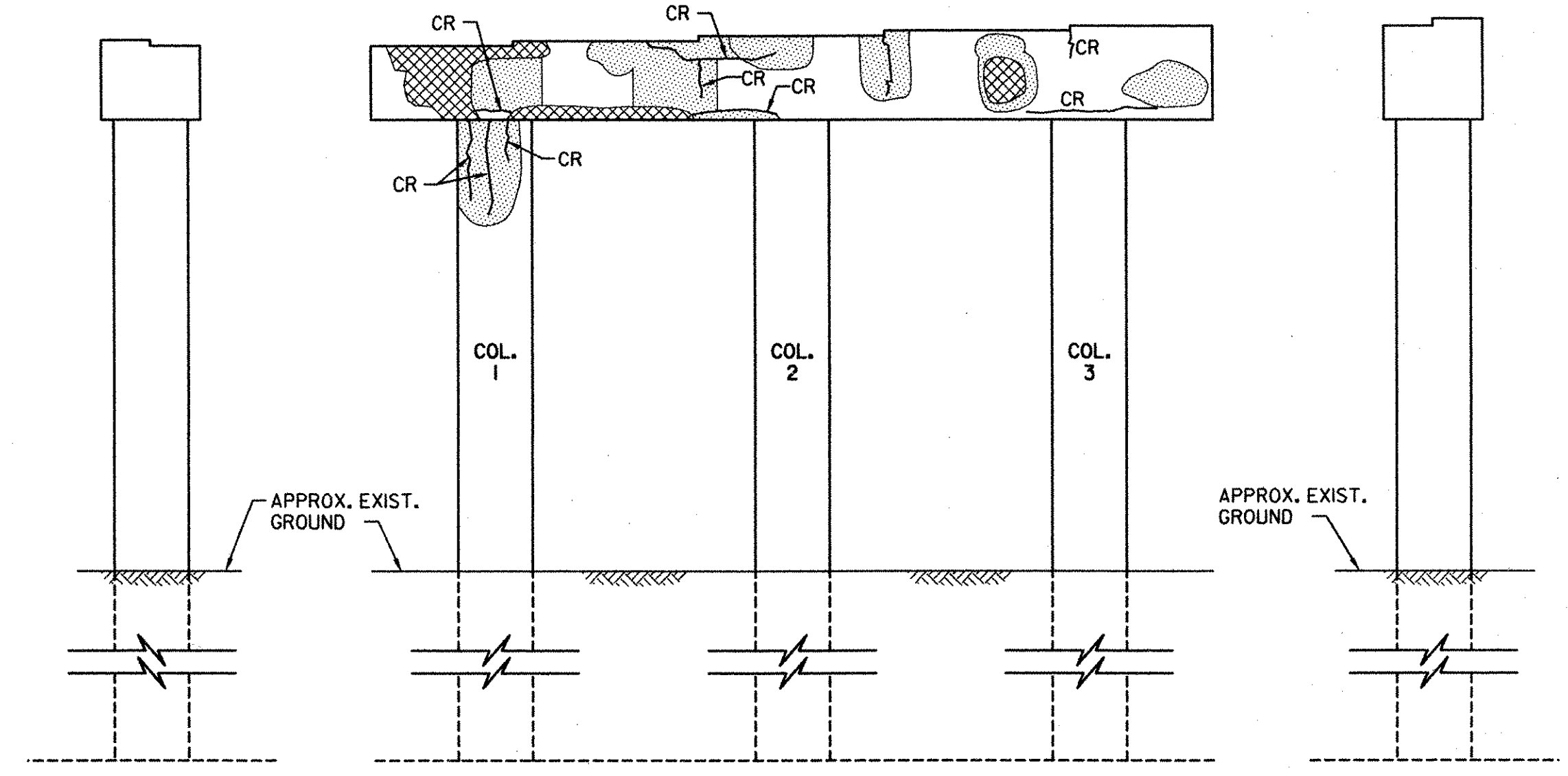


(ABUT. 1 SIDE)

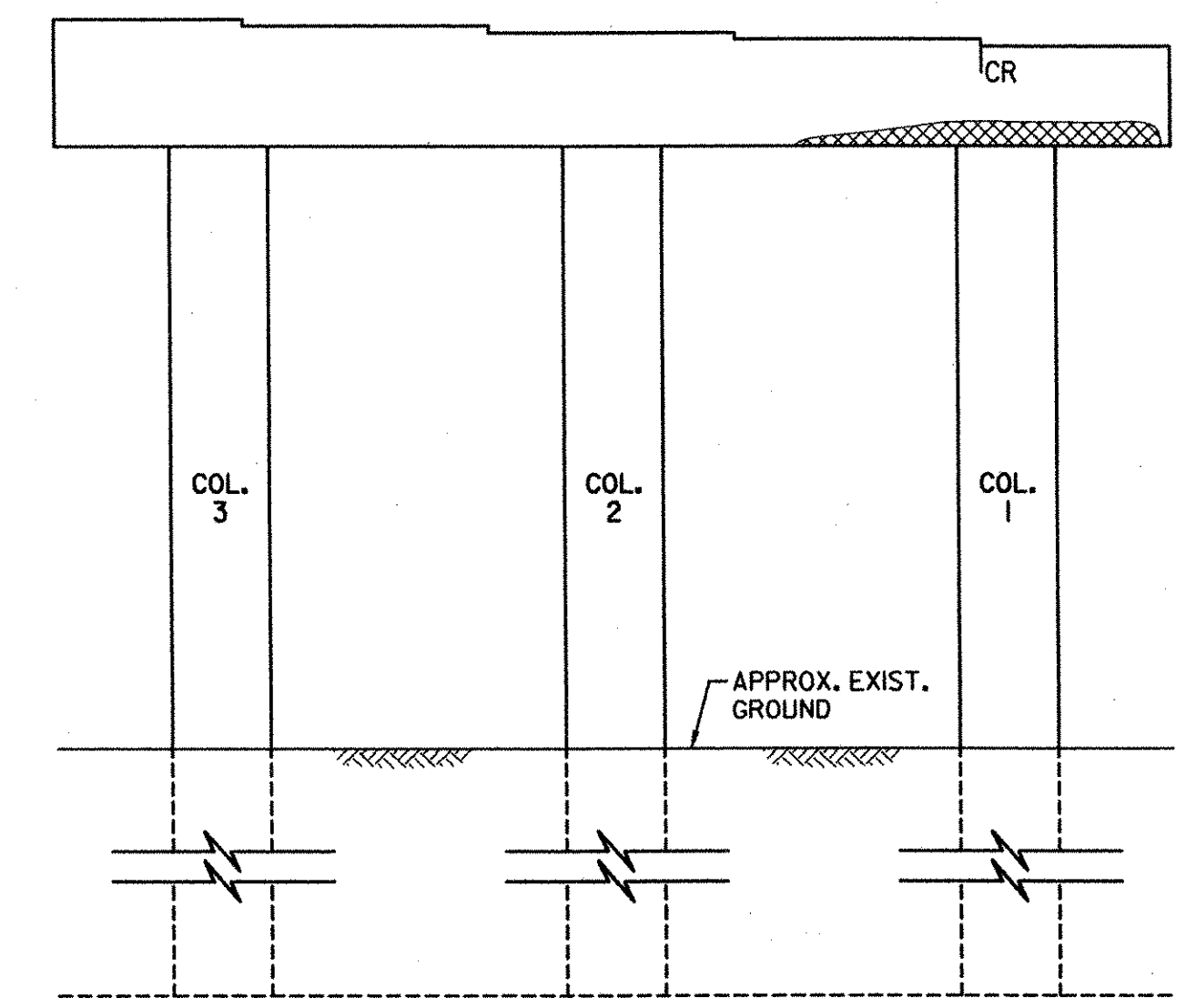


(PIER 2 SIDE)

PIER 1 ELEVATIONS
SCALE: 3/16"=1'-0"



(PIER 1 SIDE)



(PIER 3 SIDE)

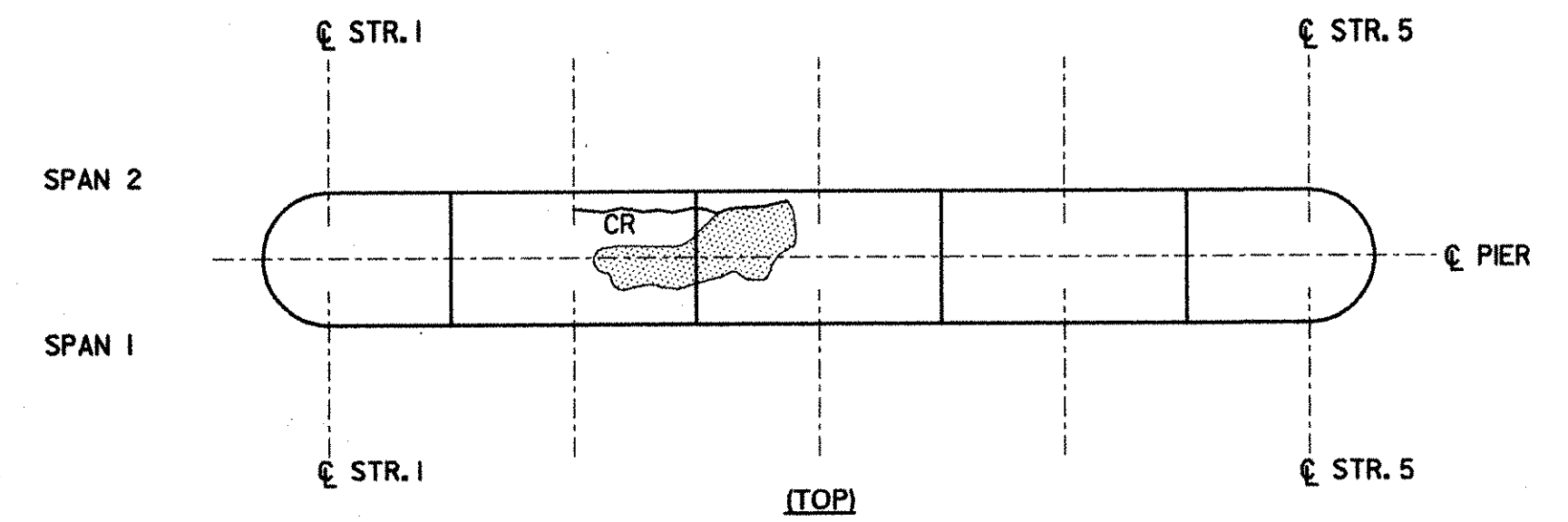
PIER 2 ELEVATIONS
SCALE: 3/16"=1'-0"

ABBREVIATIONS

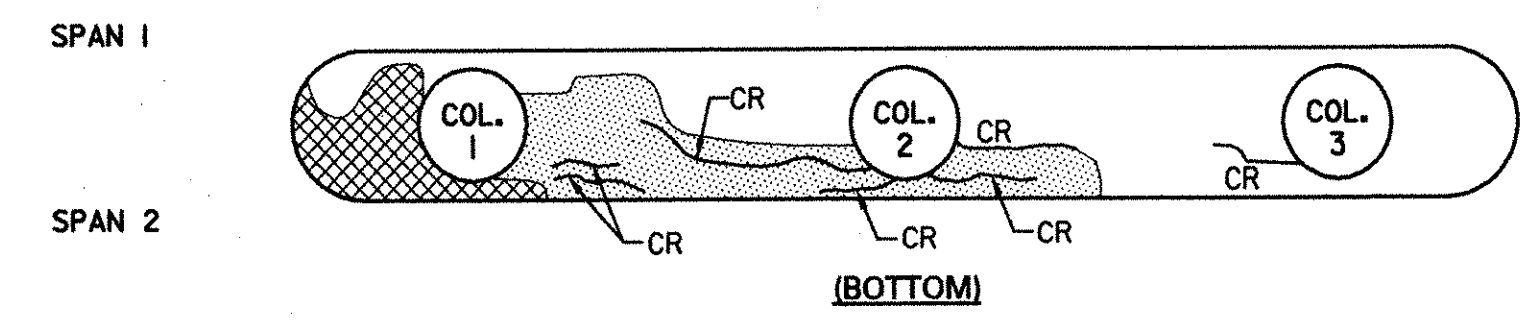
- CR CRACK
- PA PREVIOUSLY PATCHED AREA

LEGEND

- CRACK
- DELAMINATED AREA
- SPALLED AREA
- DEEPLY SPALLED WITH EXPOSED REBAR
- EXISTING GROUND

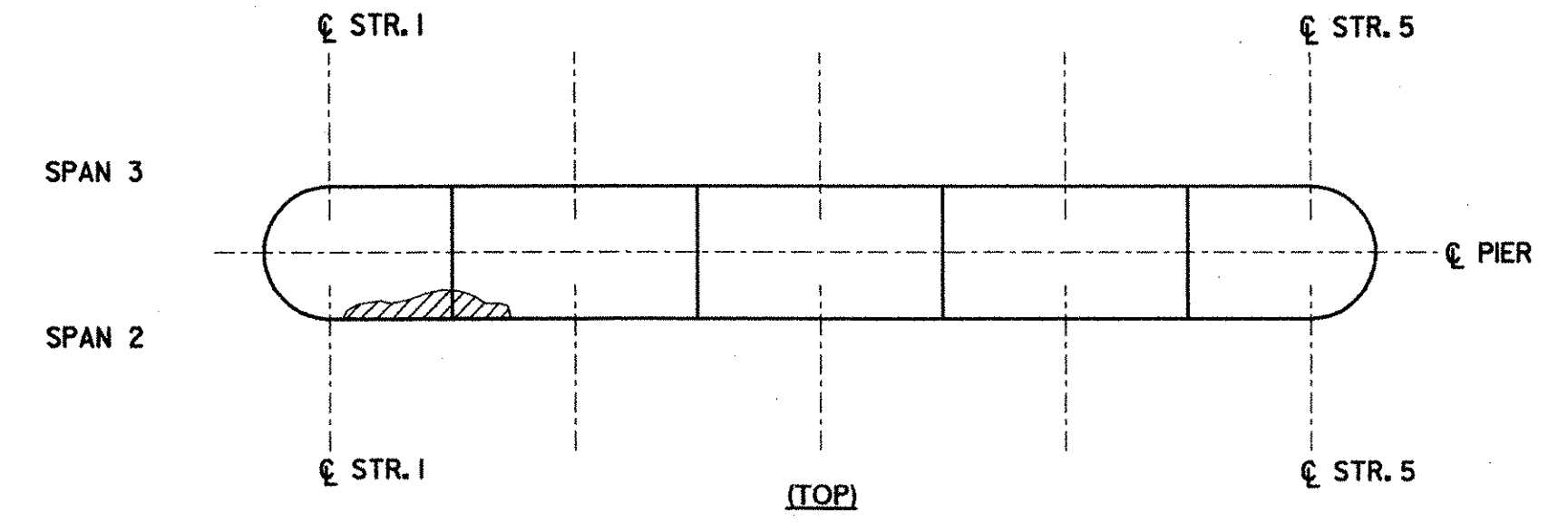


(TOP)

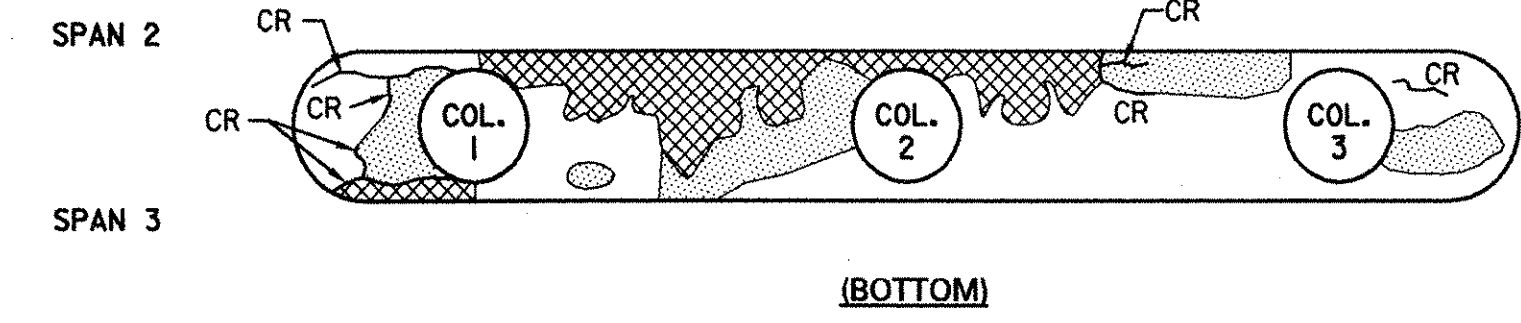


(BOTTOM)

PIER 1 CAP
SCALE: 3/16"=1'-0"



(TOP)



(BOTTOM)

PIER 2 CAP
SCALE: 3/16"=1'-0"

**STATE OF VERMONT
AGENCY OF TRANSPORTATION**

Town Of	BOLTON	Bridge No.	51N
Highway No.	I-89	Log Sta.	
		Surv. Sta.	
I-89 NB OVER U.S. ROUTE 2 & JOINER BROOK			
EXIST. SUBSTR. CONDITION (51N) (1 OF 3)			
Designed By	P.W. SZUSTAK	Drawn By	R.A. BOTZENHART
Checked By	J.P. HALSTEAD	Bridge Design Supervisor	J.P. HALSTEAD
Date	10/99	Date	10/99
PROJECT	BOLTON	PROJECT NO.	IM-089-2(29)
TVGA CAD Drawing No.	5inplrs	Date	10/99
Bridge Sheet No.	SC-17	Sheet	151 of 307