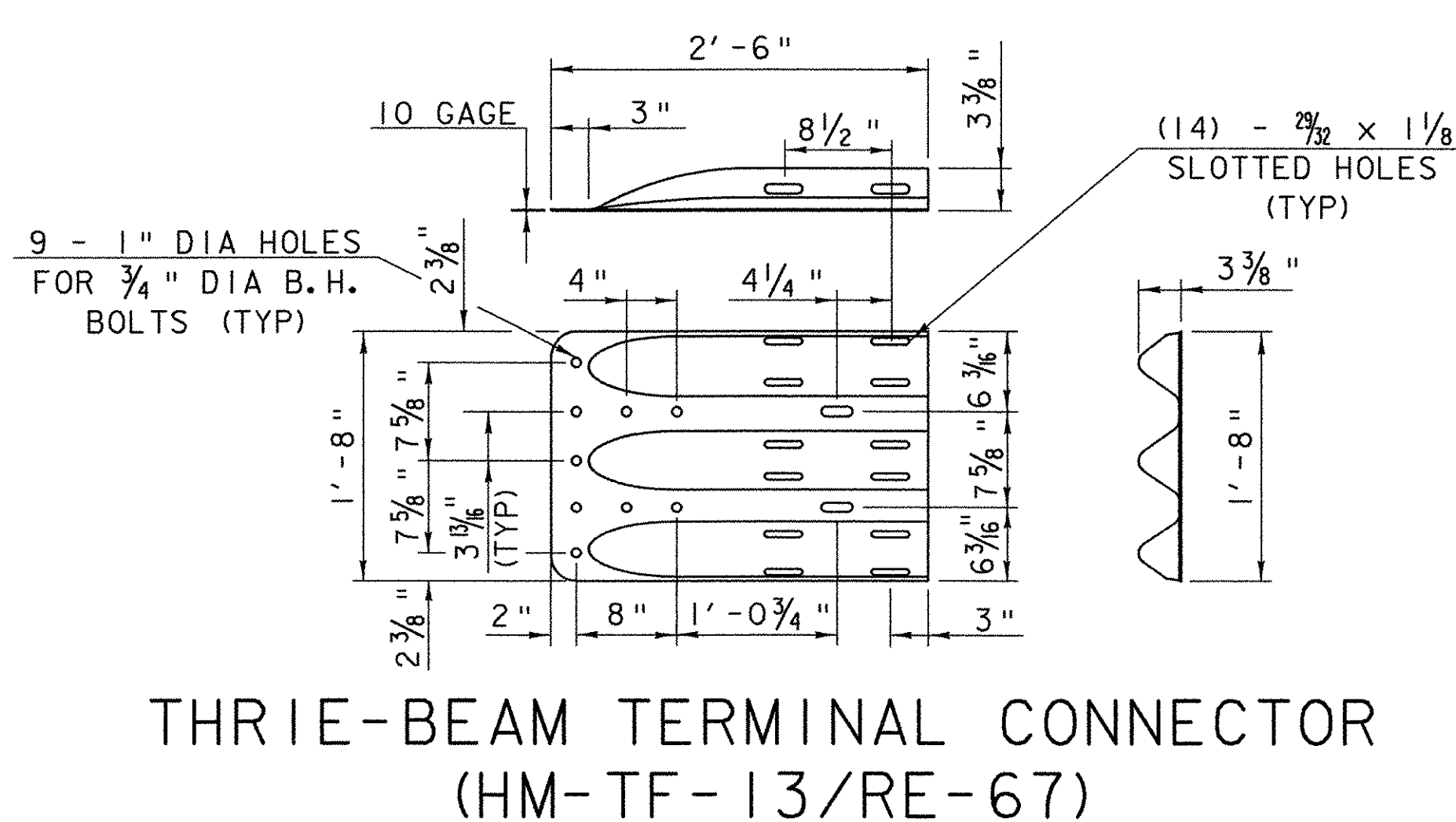
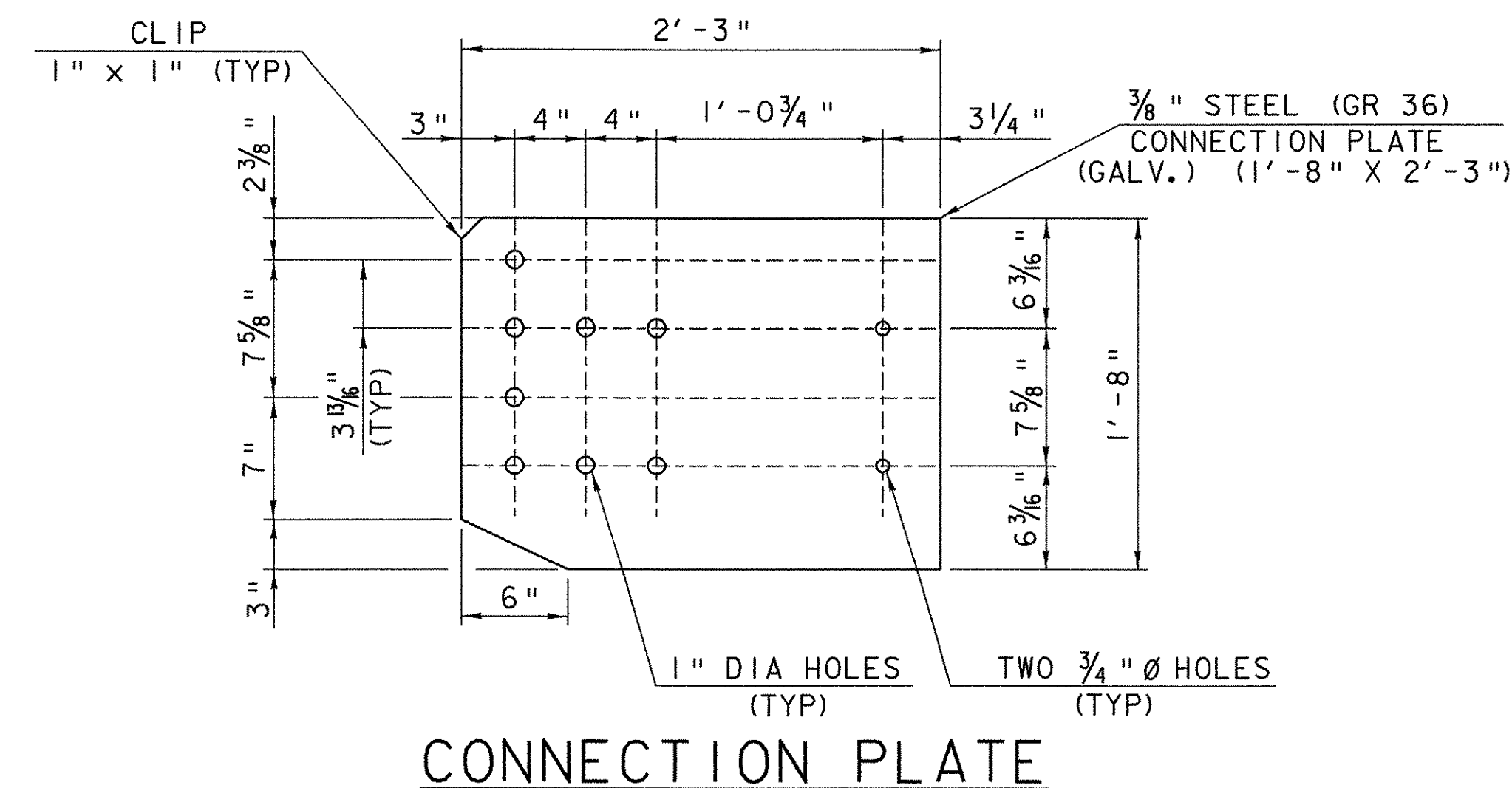


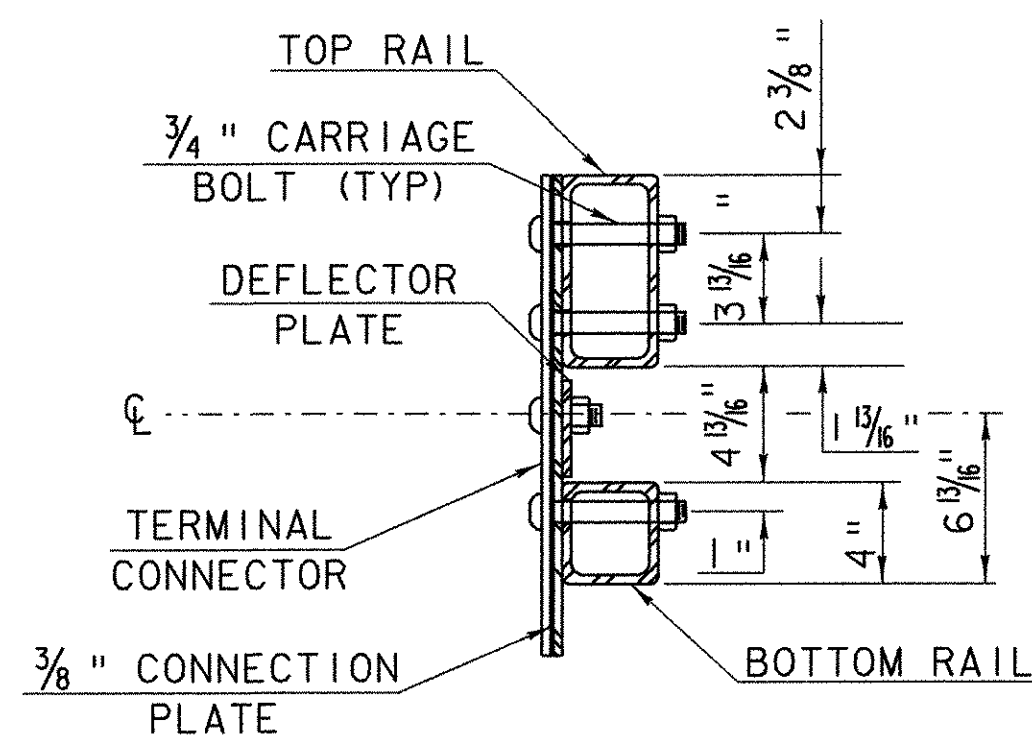
WOOD POST-RAIL ASSEMBLY



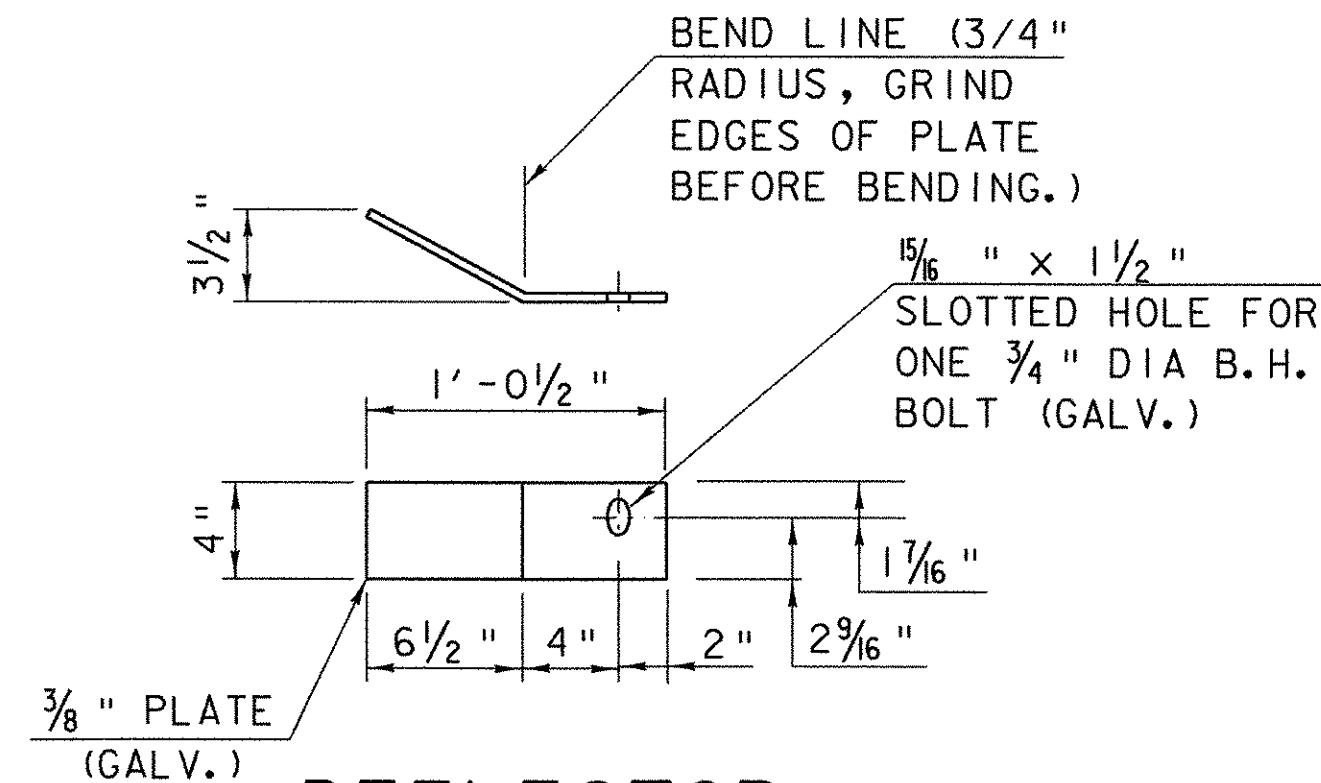
THREE-BEAM TERMINAL CONNECTOR (HM-TF-13/RE-67)



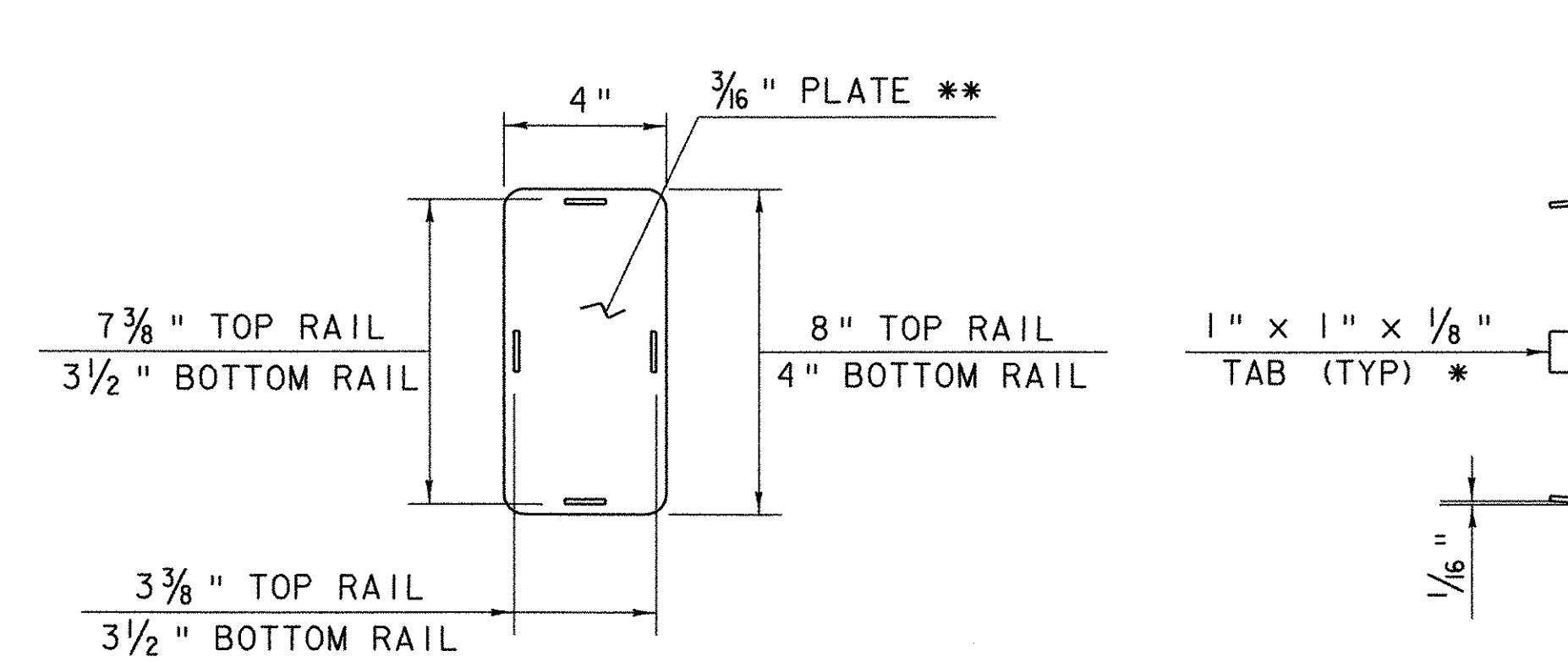
CONNECTION PLATE



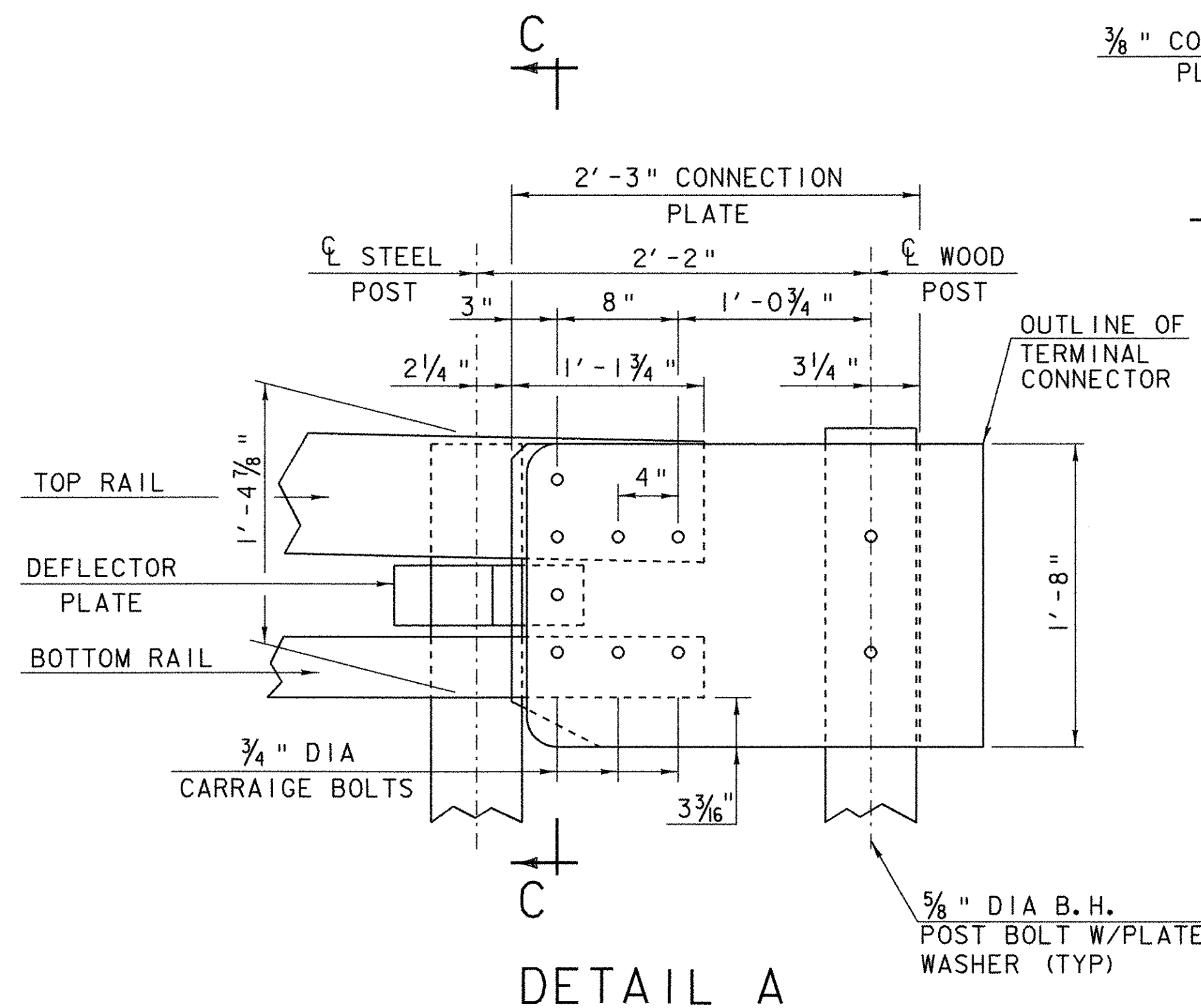
SECTION C-C (CONNECTION PLATE)



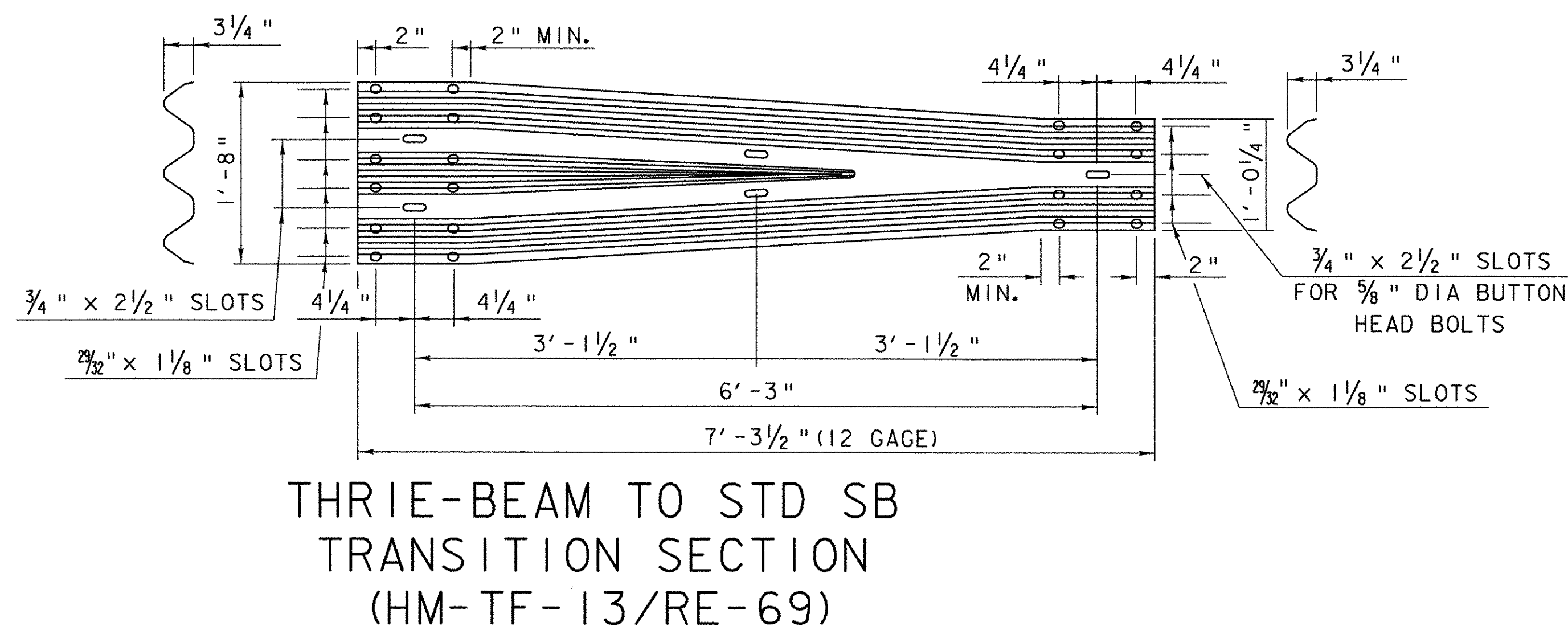
DEFLECTOR PLATE DETAIL



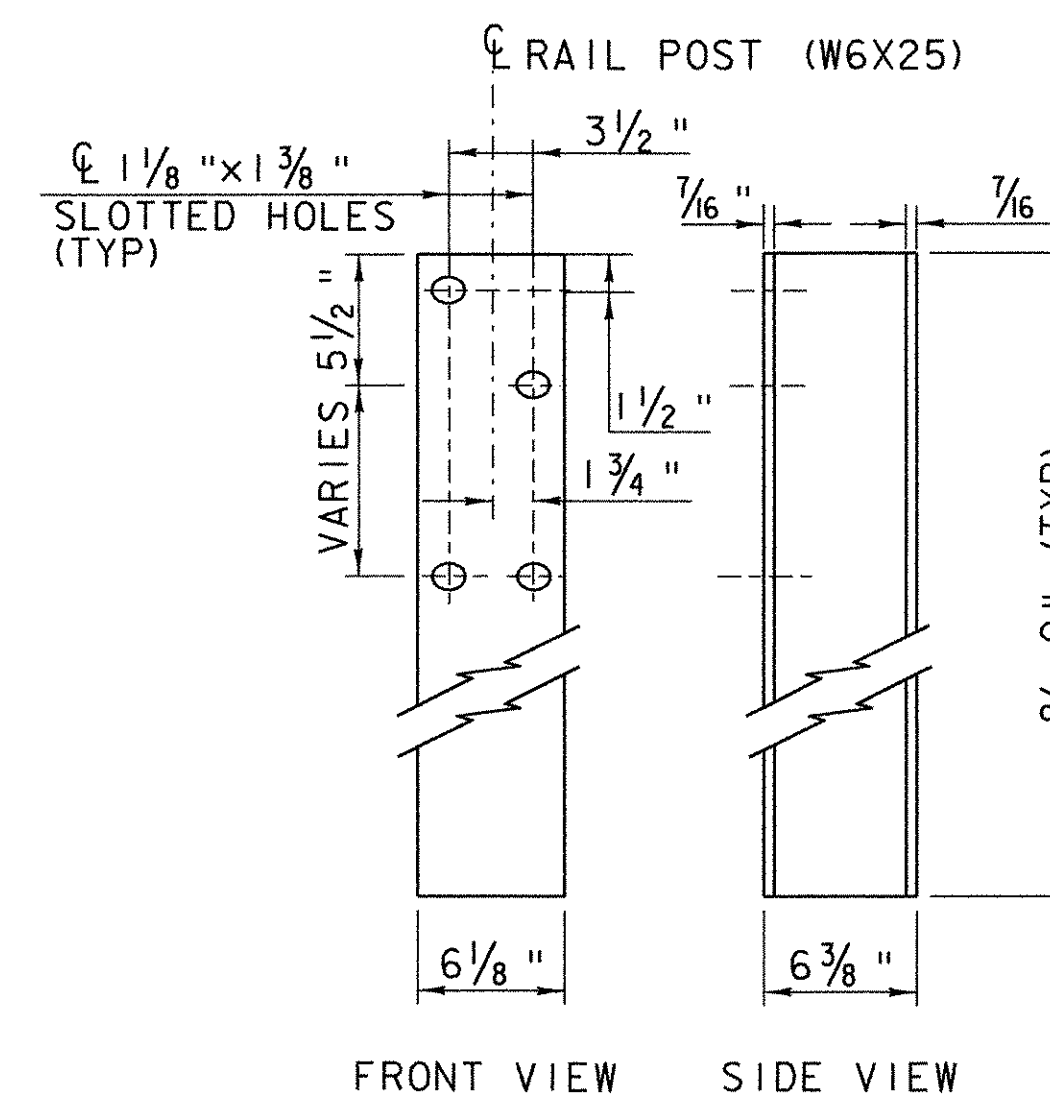
END CAP DETAIL



DETAIL A



THREE-BEAM TO STD SB TRANSITION SECTION (HM-TF-13/RE-69)



FRONT VIEW SIDE VIEW

RAIL POST



DETAIL BR3

BRIDGE RAILING - NETC 2 RAIL - THREE BEAM APPROACH RAIL

PROJECT NAME:	BOLTON	PLOT DATE:	02-AUG-2004
PROJECT NUMBER:	IM 089-2(29)	DRAWN BY:	STR
FILE NAME:	/99a268/str/sa268brail.dgn	CHECKED BY:	STR
PROJECT LEADER:	SHERWARD FARNSWORTH	SHEET	49 OF 307
DESIGNED BY:	STR		
DETAIL BR3			