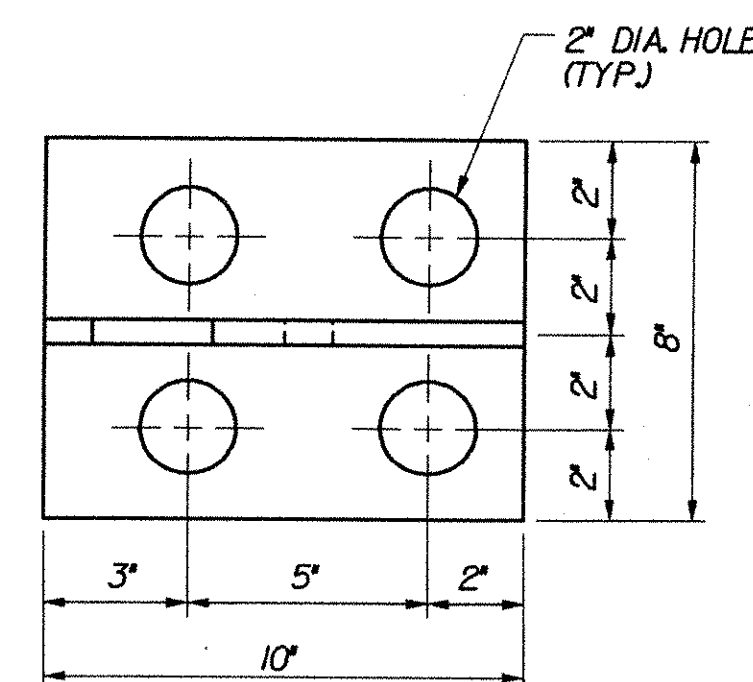




ANCHOR FERRULE DETAIL

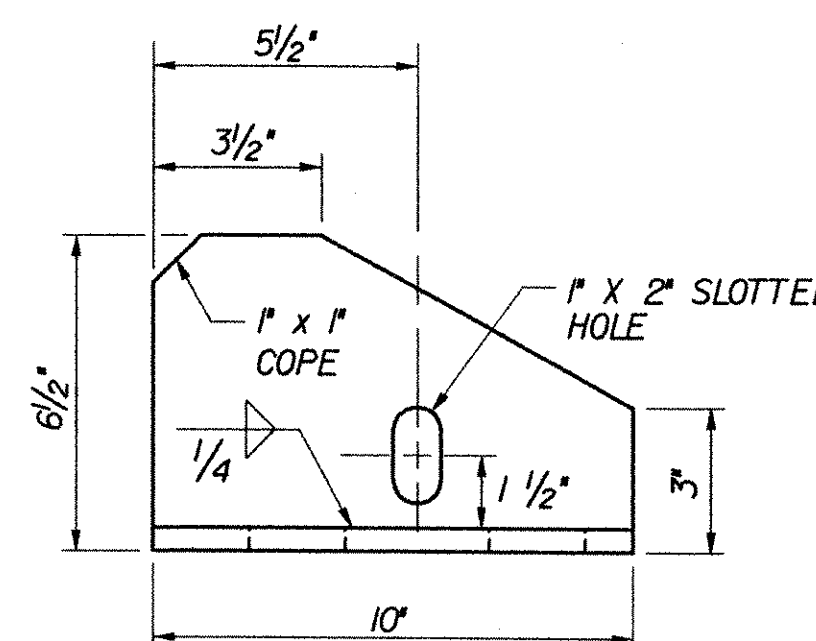
SCALE: 3" = 1'-0"



BRACKET PLAN

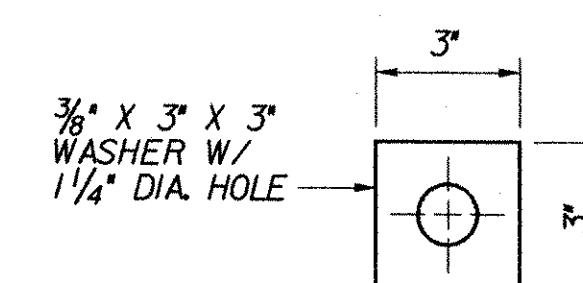
SCALE: 3" = 1'-0"

NOTE: ALL PLATES 1/2" THICK



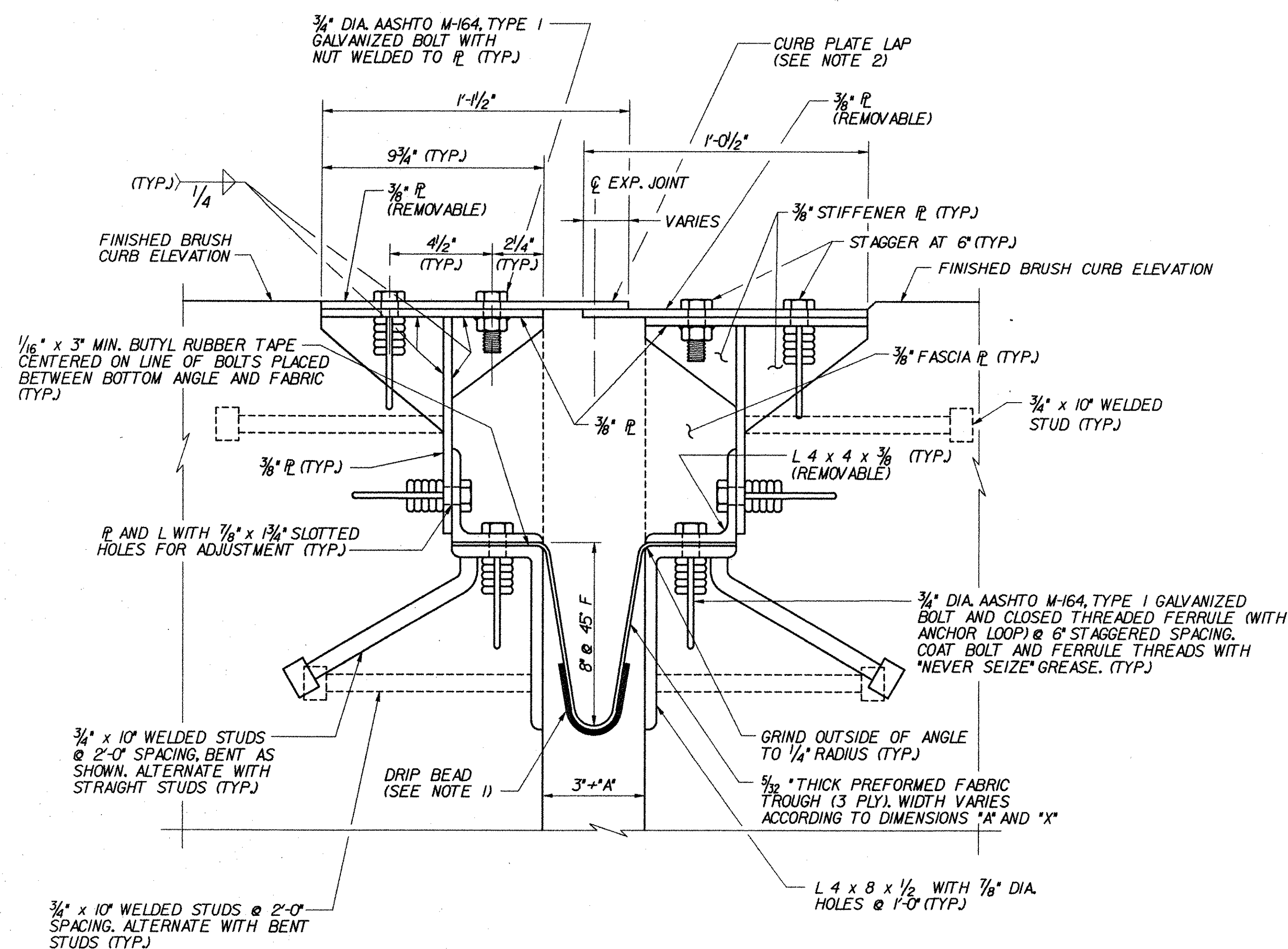
BRACKET ELEVATION

SCALE: 3" = 1'-0"



WASHER FOR BRACKET

SCALE: 3" = 1'-0"



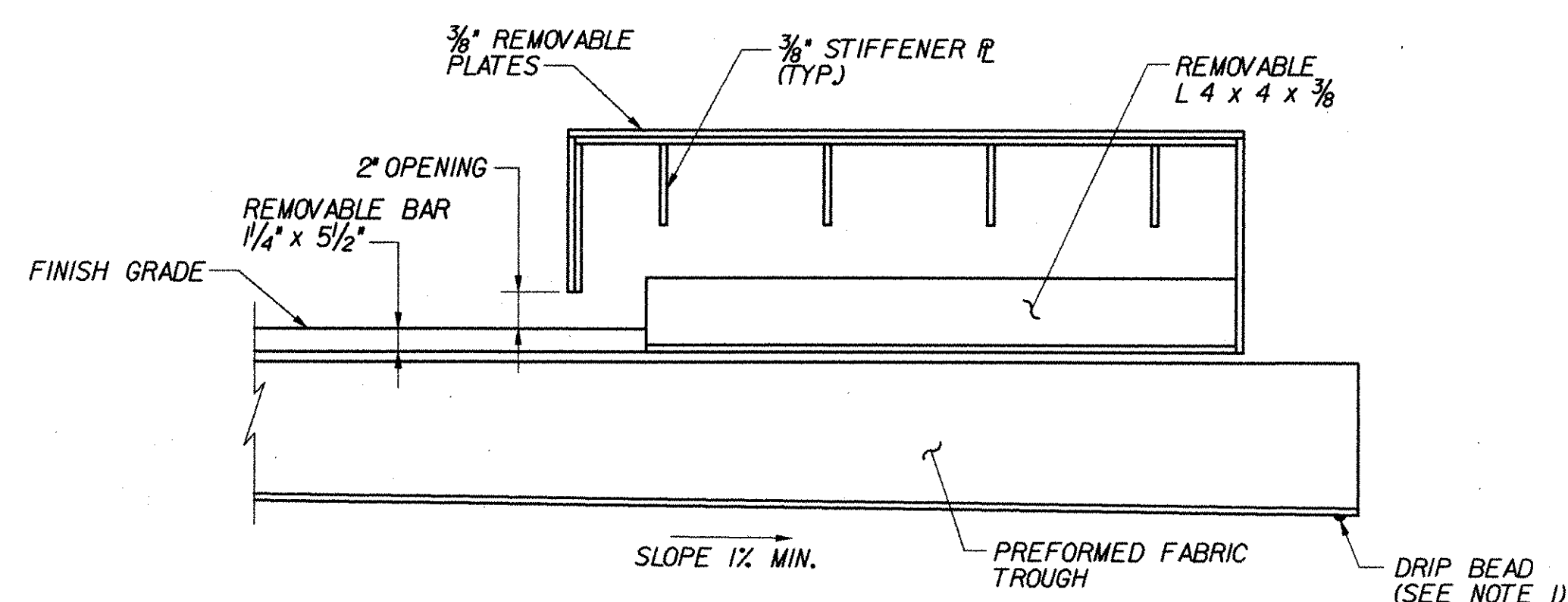
TYPICAL SECTION AT ARMORED BRUSH CURB (NORMAL TO BEARING)

SCALE: 3" = 1'-0"

NOTES:

- A DRIP BEAD OF 1/4" x 7" STRIP OF PREFORMED MATERIAL SHALL BE CEMENTED TO THE BOTTOM OF THE FABRIC TROUGH USING AN ADHESIVE APPROVED BY THE MANUFACTURER. THE DRIP BEAD SHALL BE APPLIED 1' FROM THE DOWNSPOUT END OF THE TROUGH.
- LAP CURB PLATES IN DIRECTION OF TRAFFIC. SEE NOTE 5, BRIDGE SHEET C-31.

BRIDGE	LOCATION	"A" DIMENSION							
		0° F	15° F	30° F	45° F	60° F	75° F	90° F	105° F
51N	PIER 1	1 11/16"	1 1/2"	1 3/8"	1 1/4"	1 1/16"	0 15/16"	0 13/16"	0 5/8"
51S	PIER 1	2 1/2"	2 1/4"	2"	1 3/4"	1 1/2"	1 1/4"	1"	0 3/4"



LONGITUDINAL SECTION THROUGH ARMORED BRUSH CURB

N.T.S.

STATE OF VERMONT AGENCY OF TRANSPORTATION

Town Of	BOLTON	Bridge No.	
Highway No.	I-89	Log Sta.	
		Surv. Sta.	

TYPE "H" PIER JOINT DETAILS (2 OF 3)

Designed By	P.W. SZUSTAK	Drawn By	R.A. BOTZENHART
Checked By	J.P. HALSTEAD	Date	10/99
		Bridge Design Supervisor	
		Date	10/99

PROJECT	BOLTON	PROJECT NO.	IM-089-2(29)
---------	--------	-------------	--------------

TVGA CAD Drawing No.	hjtpler3	Date	10/99
Bridge Sheet No.	C-33	Sheet	33 of 307