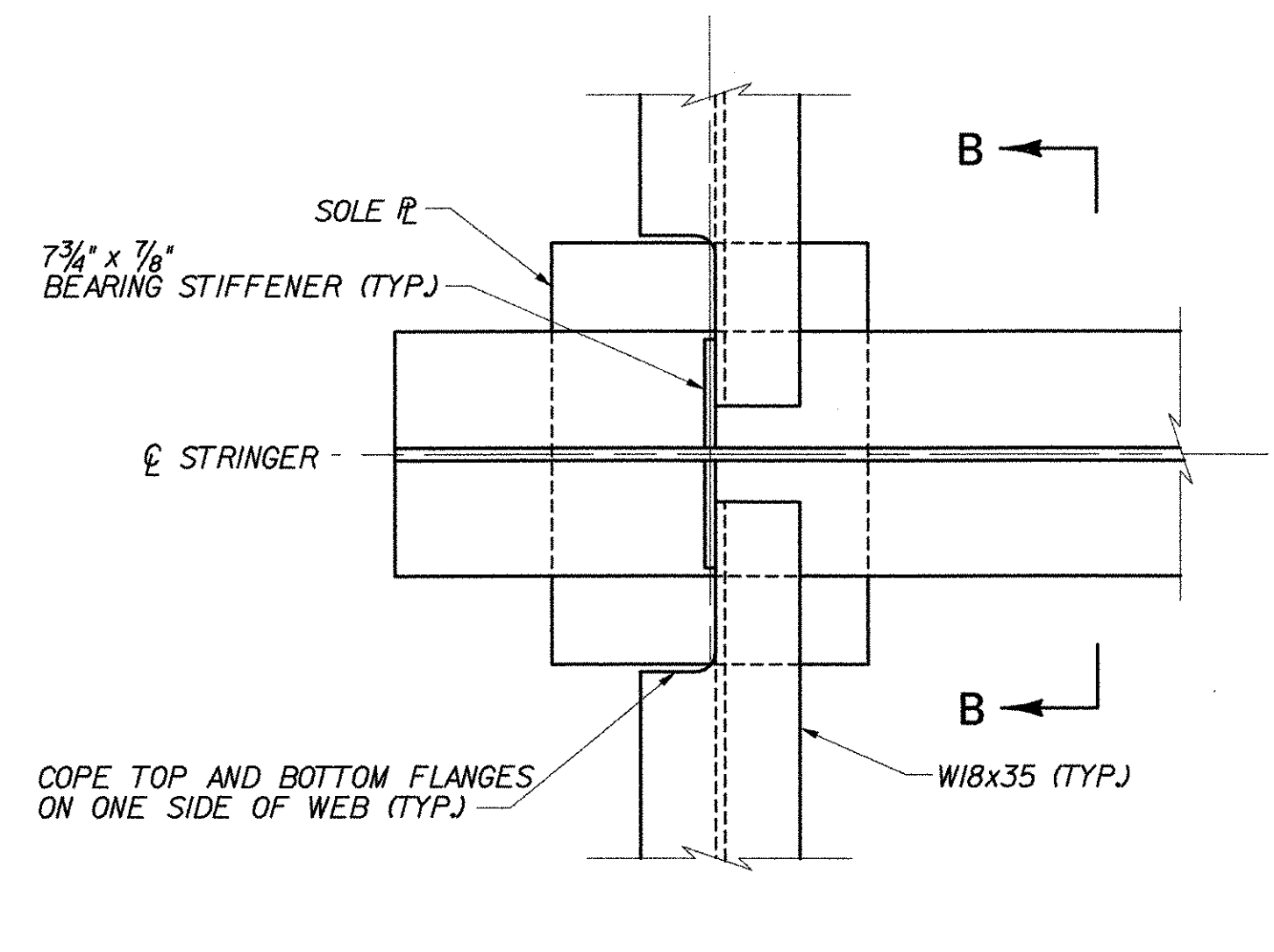
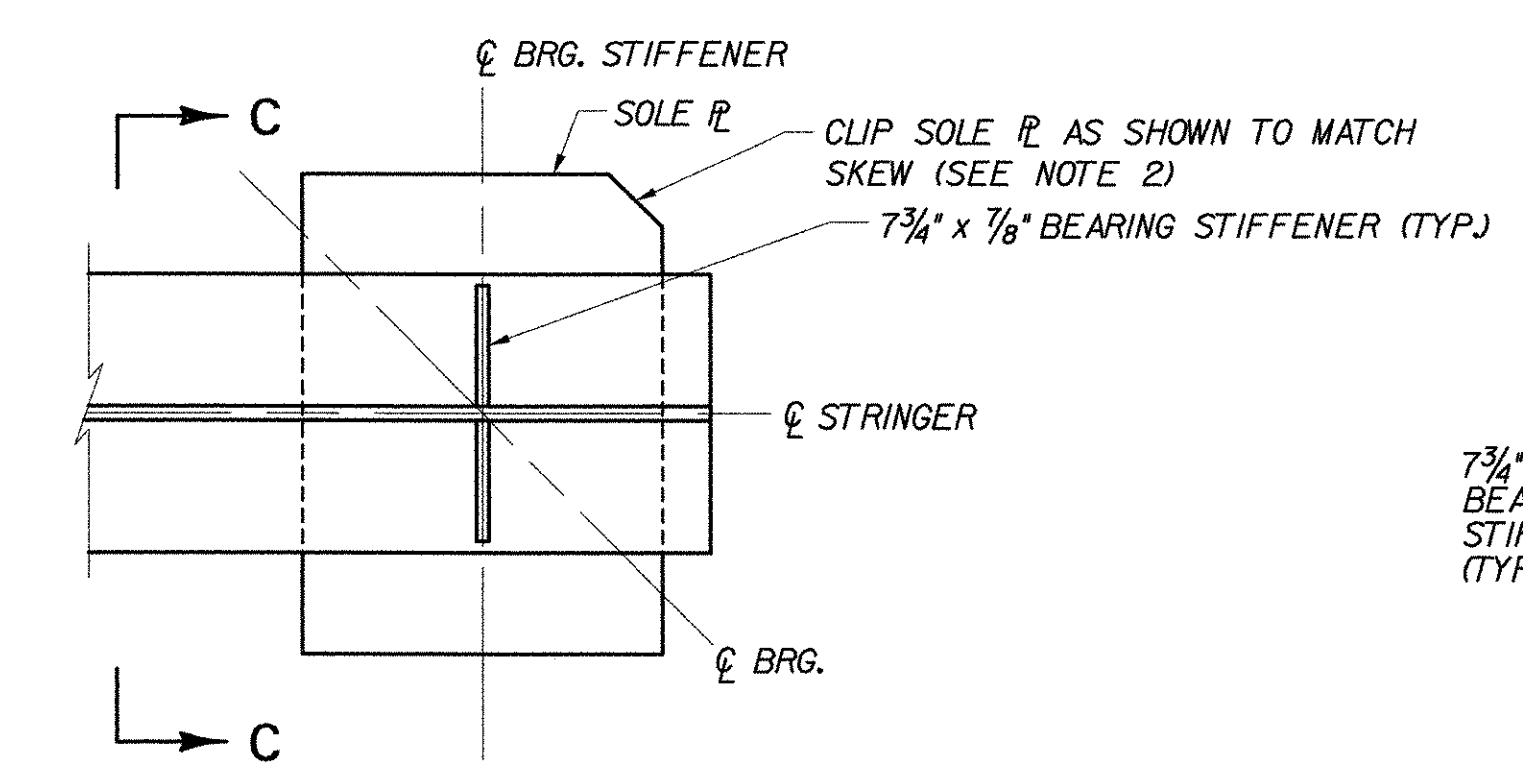


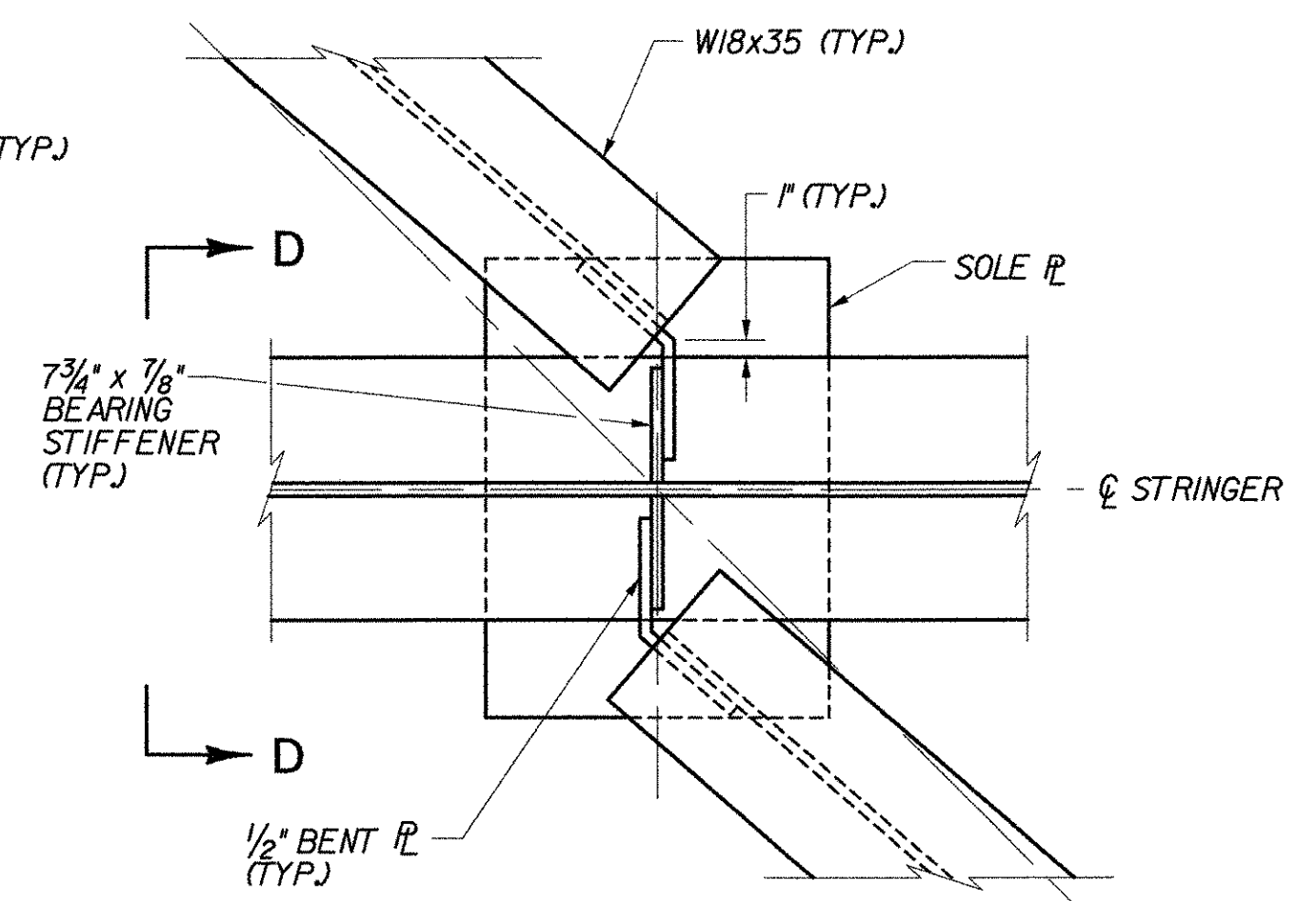
**PLAN AT EXPANSION ABUTMENTS**  
N.T.S.



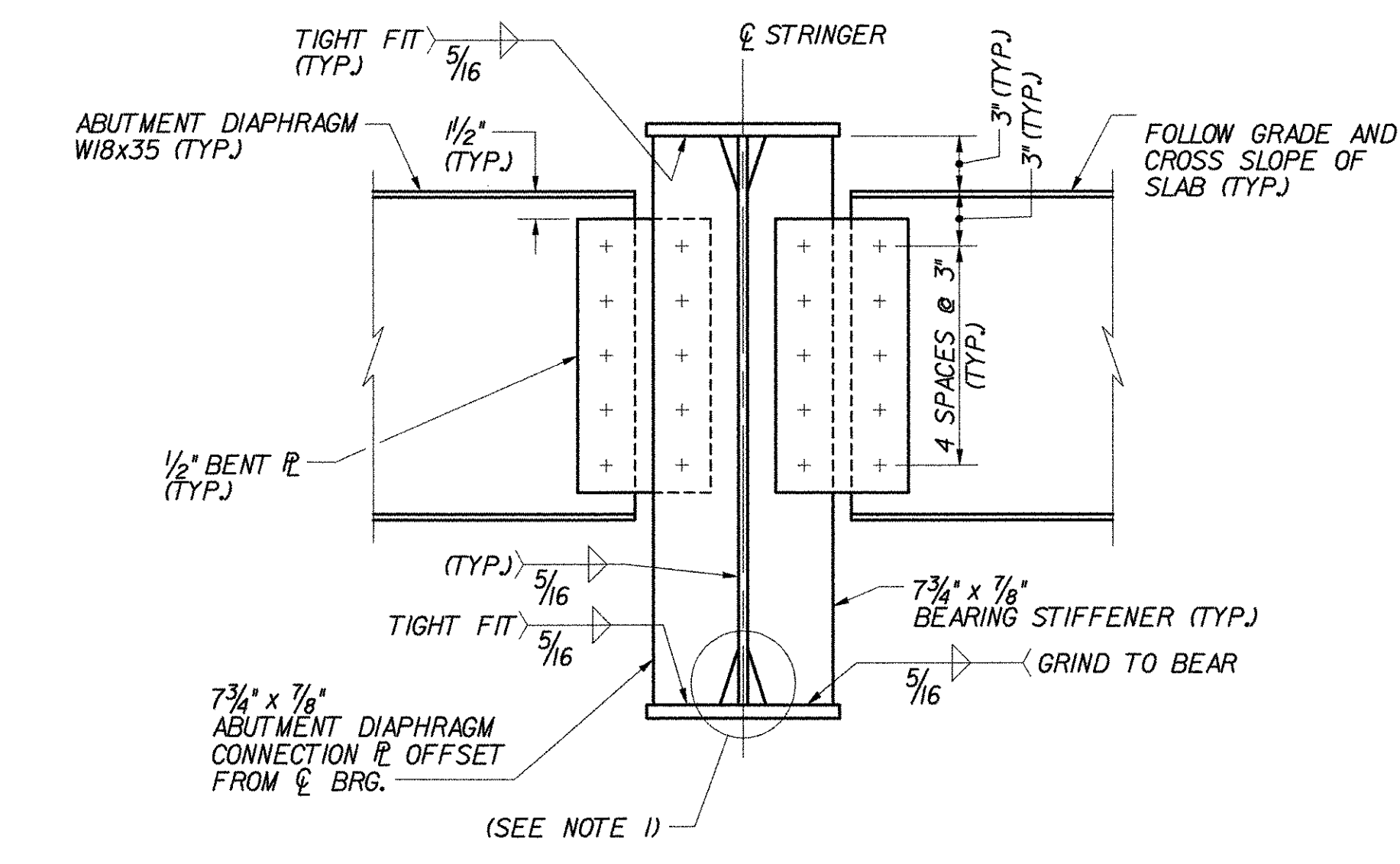
**PLAN AT PIERS WITH EXPANSION JOINTS**  
(PIER 1 AT BR51 N&S)  
N.T.S.



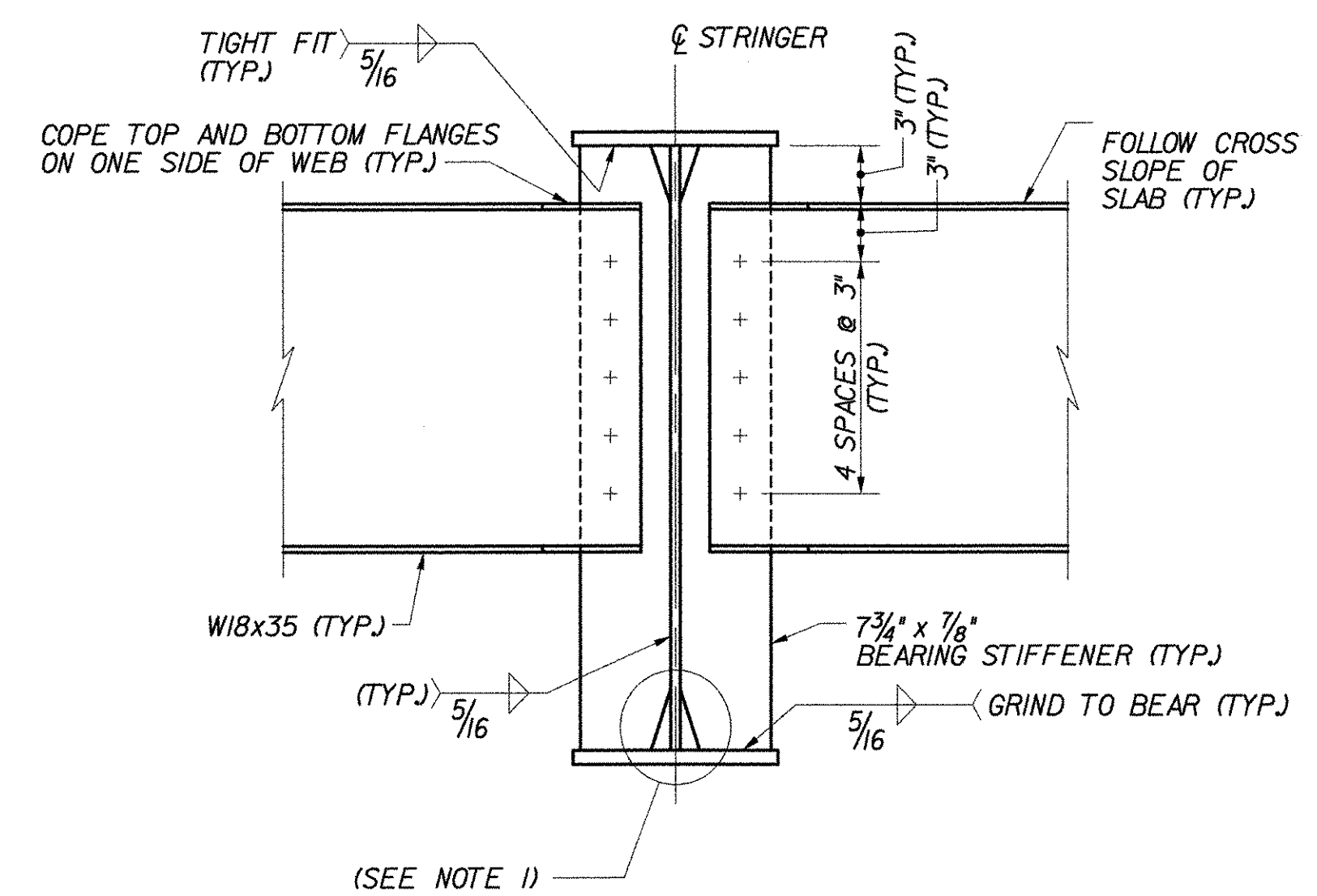
**PLAN AT FIXED ABUTMENTS**  
N.T.S.



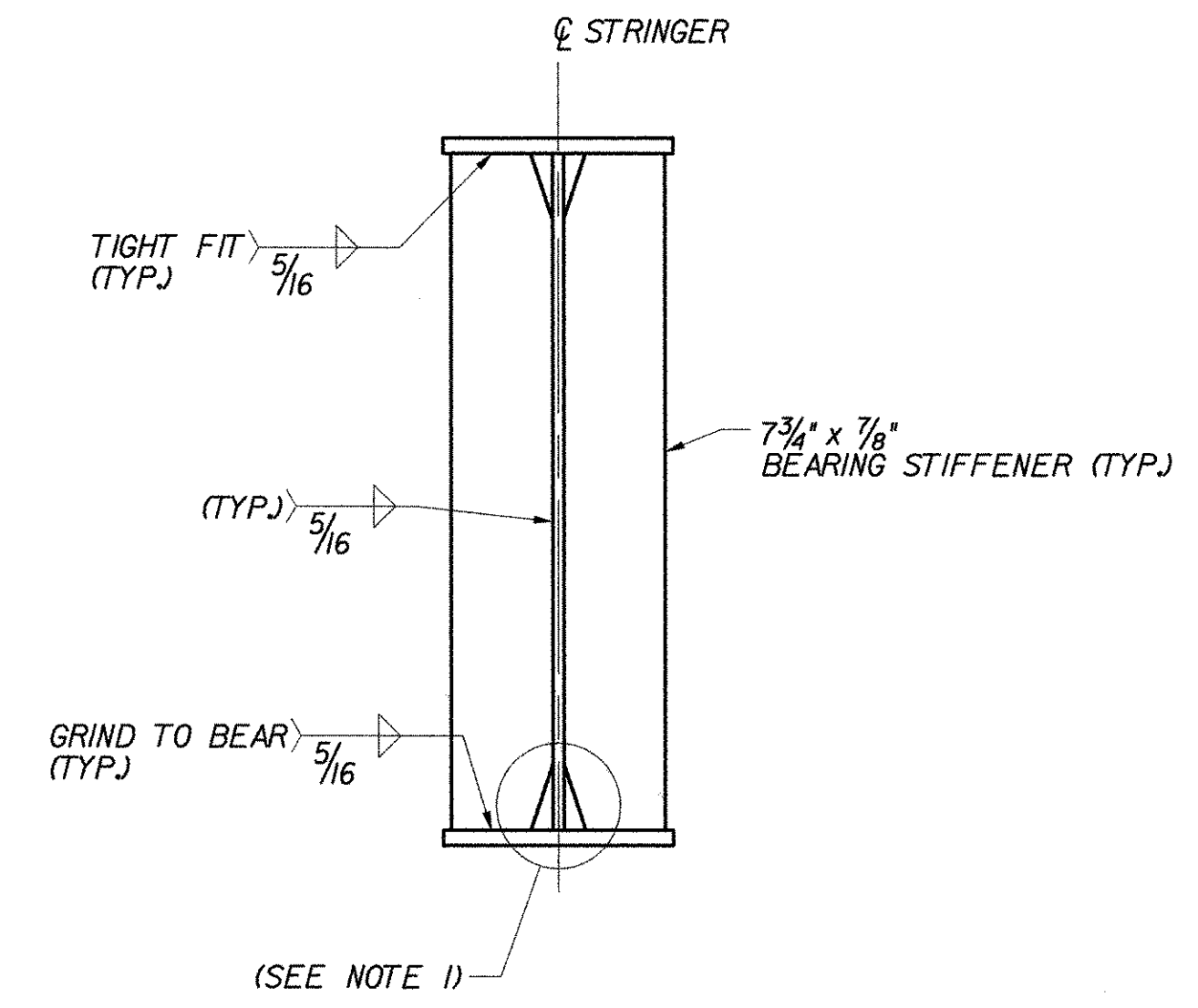
**PLAN AT PIERS**  
N.T.S.



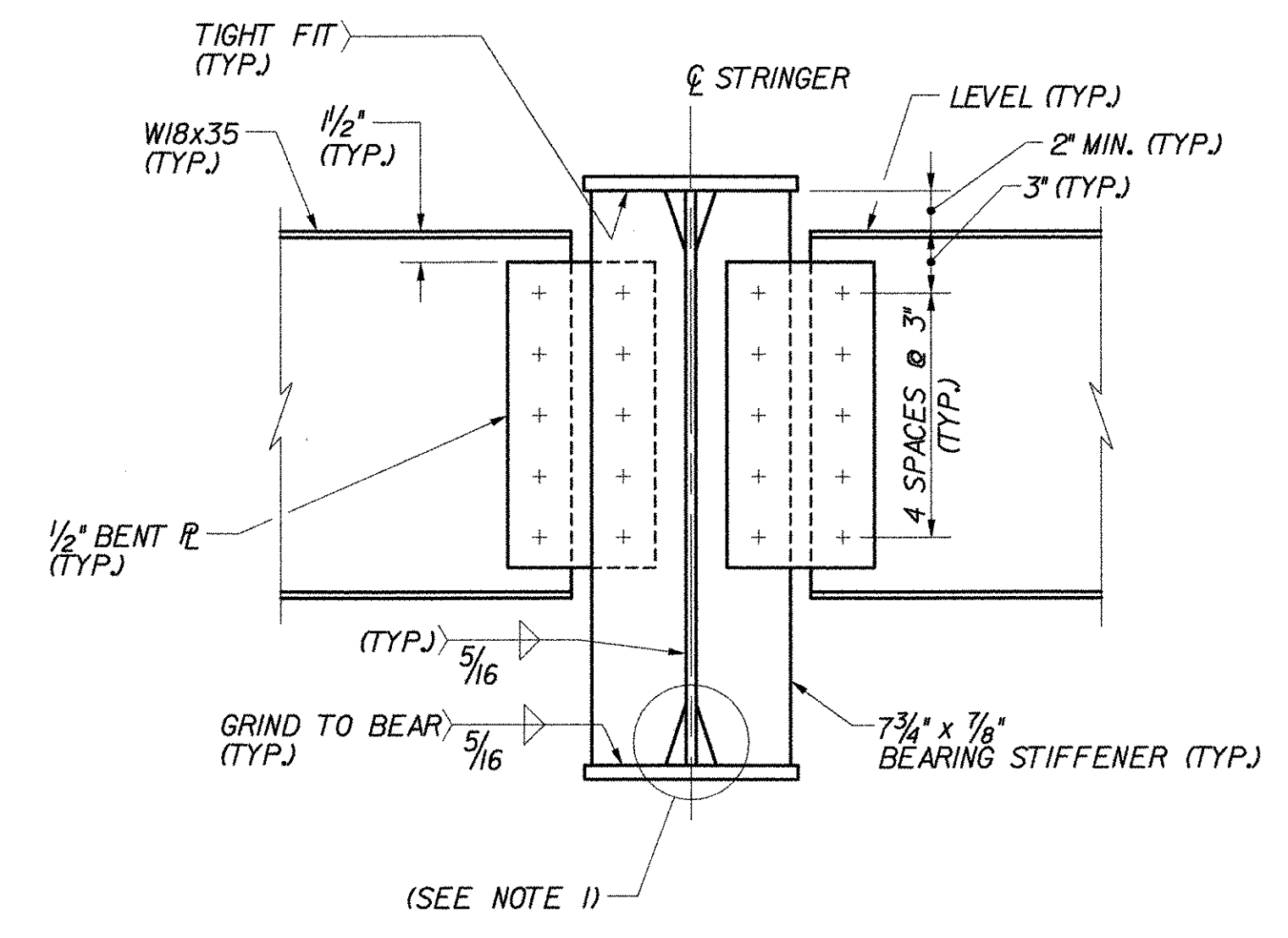
**ELEVATION A-A**  
N.T.S.



**ELEVATION B-B**  
N.T.S.



**ELEVATION C-C**  
N.T.S.



**ELEVATION D-D**  
N.T.S.

- NOTES:**
- FOR TYPICAL WELD TERMINATION AND COPING DETAIL, SEE TYPICAL PLATE GIRDER DETAILS (2 OF 2), BRIDGE SHEET C-18.
  - FOR DETAILS AND DIMENSIONS OF SOLE PLATE CLIP, SEE BEARING DETAILS ON BRIDGE SHEETS C-21 THROUGH C-25.
  - FOR TABLE OF TOP FLANGE COPE DIMENSION "A", SEE TYPICAL PLATE GIRDER DETAILS (2 OF 2), BRIDGE SHEET C-18.
  - THE TOP AND BOTTOM EDGES OF BEARING STIFFENERS SHALL BE CUT AT RIGHT ANGLES TO THE WEB.

**TVA** TVGA ENGINEERING, SURVEYING, P. C.

STATE OF VERMONT AGENCY OF TRANSPORTATION		
Town Of	BOLTON	Bridge No.
Highway No.	I-89	Log Sta.
		Surv. Sta.
TYPICAL PLATE GIRDER DETAILS (1 OF 2)		
Designed By	P.W. SZUSTAK	Drawn By
Checked By	Date	Bridge Design Supervisor
J.P. HALSTEAD	10/99	J.P. HALSTEAD Date 10/99
PROJECT	BOLTON	PROJECT NO.
		IM-089-2(29)
TVGA CAD Drawing No.	gldrdrdet	Date 10/99
Bridge Sheet No.	C-17	Sheet 17 of 307