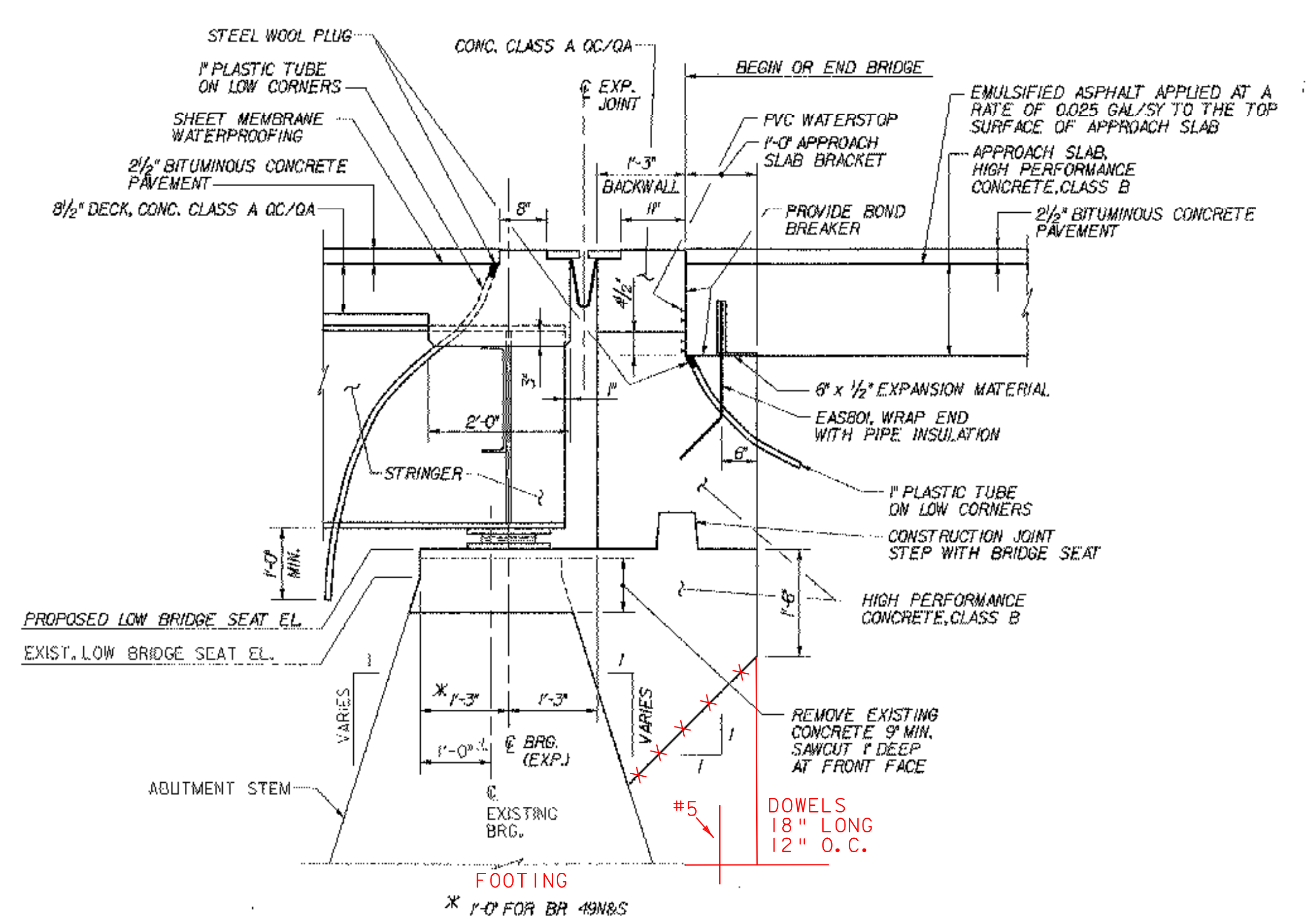
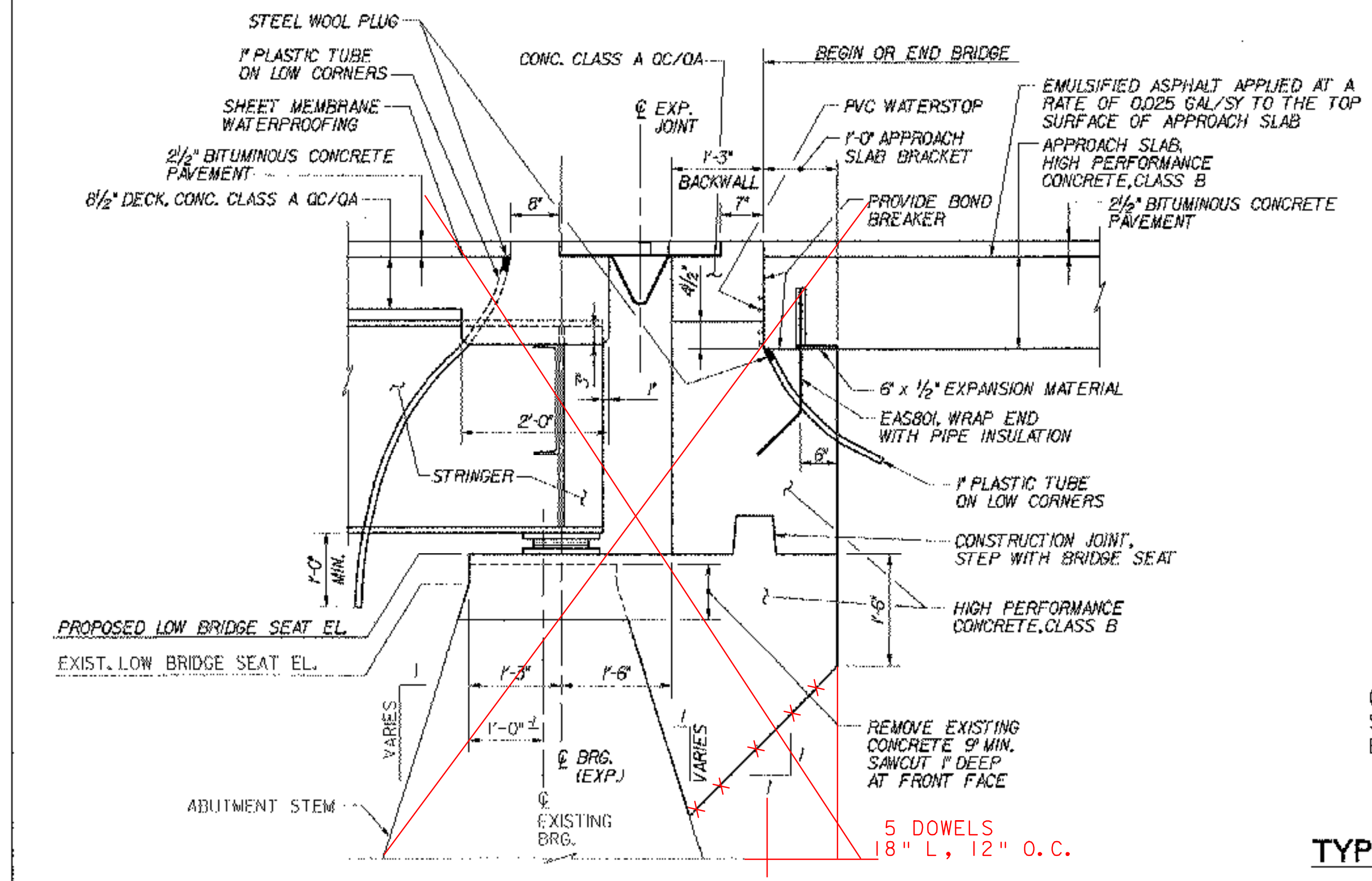


**TYPICAL FIXED ABUT. DETAIL, TYPE "C"**  
(NORMAL TO C BEARING)  
SCALE: 3/4"=1'-0"

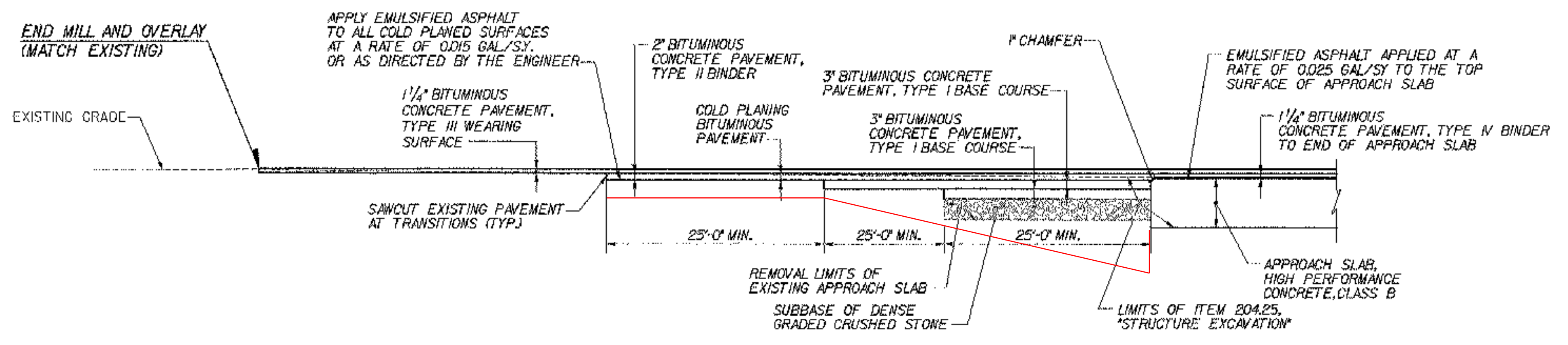
**FIXED ABUT. DETAIL, TYPE "C"**  
(NORMAL TO C BEARING)  
(BR 49N&S ONLY)  
SCALE: 3/4"=1'-0"



**TYPICAL EXP. ABUT. DETAIL, TYPE "H"**  
(NORMAL TO C BEARING)  
SCALE: 3/4"=1'-0"



**TYPICAL EXP. ABUT. DETAIL, FINGER JOINT**  
(NORMAL TO C BEARING)  
SCALE: 3/4"=1'-0"



**APPROACH PAVEMENT TRANSITION DETAIL**  
N.T.S.

(NOT SHOWN - END OF DECK SLAB AT PIER SIMILAR TO END OF DECK SLAB AT TYPICAL EXP. ABUT. DETAIL, TYPE "H")

**TYPICAL EXP. PIER DETAIL, TYPE "H"**

STATE OF VERMONT AGENCY OF TRANSPORTATION			
Town Of	BOLTON	Bridge No.	
Highway No.	I-89	Log Sta.	
		Surv. Sta.	
TYPICAL END OF DECK SLAB DETAILS			
Designed By	P.W. SZUSTAK	Drawn By	R.A. BOTZENHART
Checked By	Date	Bridge Design Supervisor	
J.P. HALSTEAD	10/99	J.P. HALSTEAD	Date 10/99
PROJECT	BOLTON	PROJECT NO.	IM-089-2(29)
		TVGA CAD Drawing No.	dslabdet
		Bridge Sheet No.	C-15
		Date	10/99
		Sheet	15 of 307