

POLY UREA LPM 1200
 TEMPORARY AND DURABLE 150 mm WHITE LINE
 REST AREA 93 SOLID RT
 DECELERATION LANE 125 DOTTED RT
 DECELERATION LANE 61 DASHED RT
 ACCELERATION LANE 55 DASHED RT
 GRASS ISLAND 73 SOLID RT

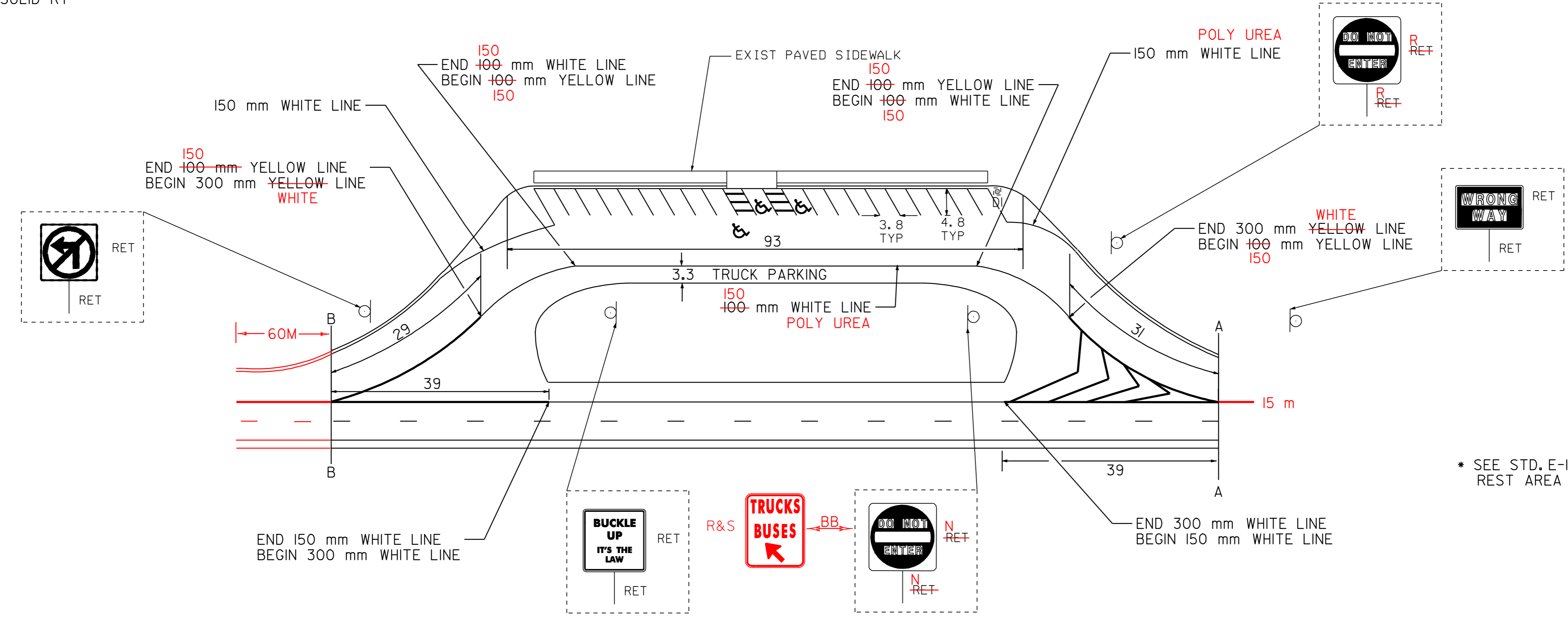
POLY UREA LPM 1200
 TEMPORARY AND DURABLE 150 mm YELLOW LINE
 GRASS ISLAND 106 SOLID RT

THERMOPLASTIC - DOBCO
 TEMPORARY AND DURABLE 100 mm WHITE LINE
 GRASS ISLAND 73 SOLID RT
 PARKING 210 SOLID RT

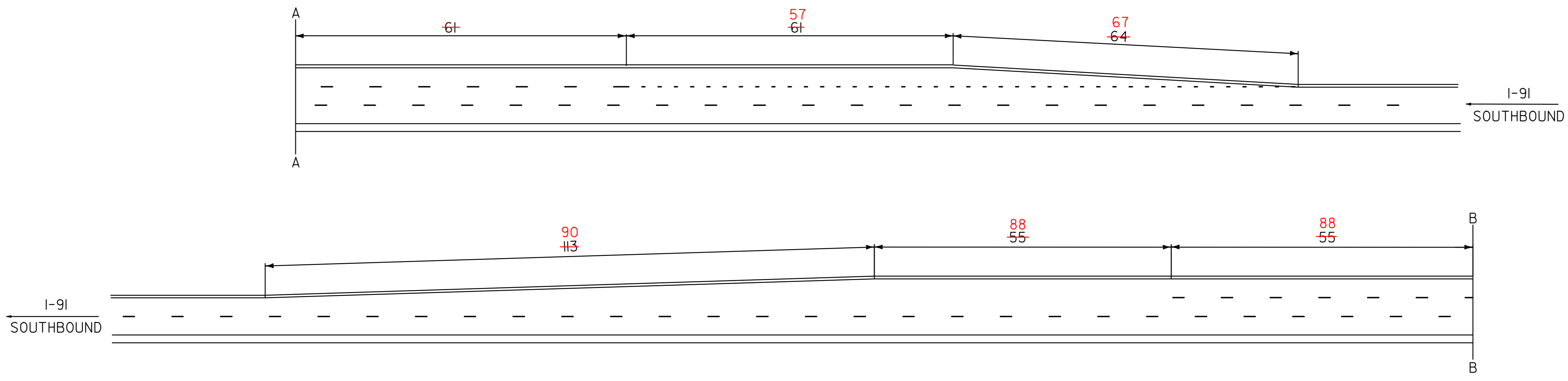
POLY UREA LPM 1200
 TEMPORARY AND DURABLE 100 mm YELLOW LINE
 GRASS ISLAND 40 SOLID RT

THERMOPLASTIC - DOBCO
 TEMPORARY AND DURABLE 300 mm WHITE LINE
 REST AREA
 INTERSTATE 91 39 SOLID RT
 OFF RAMP 31 SOLID RT + 15 SOLID RT
 ON RAMP 29 SOLID RT
 INTERSTATE 91 39 SOLID RT + 60 SOLID RT

TEMPORARY AND DURABLE LETTER OR SYMBOL
 REST AREA
 2 HANDICAP MARKINGS



* SEE STD. E-193M FOR REST AREA PARKING DETAILS



LEGEND

- R = REMOVE EXISTING
- S = SALVAGE
- R&S = REMOVE AND SALVAGE
- N = NEW
- RET = RETAIN
- B-B = BACK TO BACK
- = NEW RAIL
- - - = EXISTING RAIL
- ⊗ = BORING LOCATION

NOTE: ALL DIMENSIONS IN METERS EXCEPT AS INDICATED

REST AREA DETAIL

PROJECT: BRATTLEBORO-ROCKINGHAM	PROJECT NO.: IM 091-I(39)
DESIGN FILE NAME: /pave/99q202/pa202.dgn	PLOT DATE: 02-JUN-2005
IPARM FILE NAME: pa202dt07.l	SURVEY DATE: 6/99
SURVEYED BY: CLD ENGINEERS INC	DRAWN BY: MPS
SQUAD LEADER: WRH	SHEET: 23 OF 37

DATUM
 VERTICAL _____
 HORIZONTAL _____

NOT TO SCALE