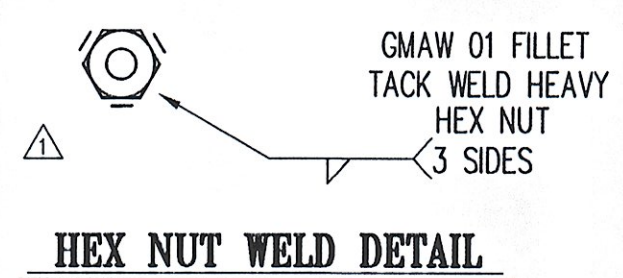
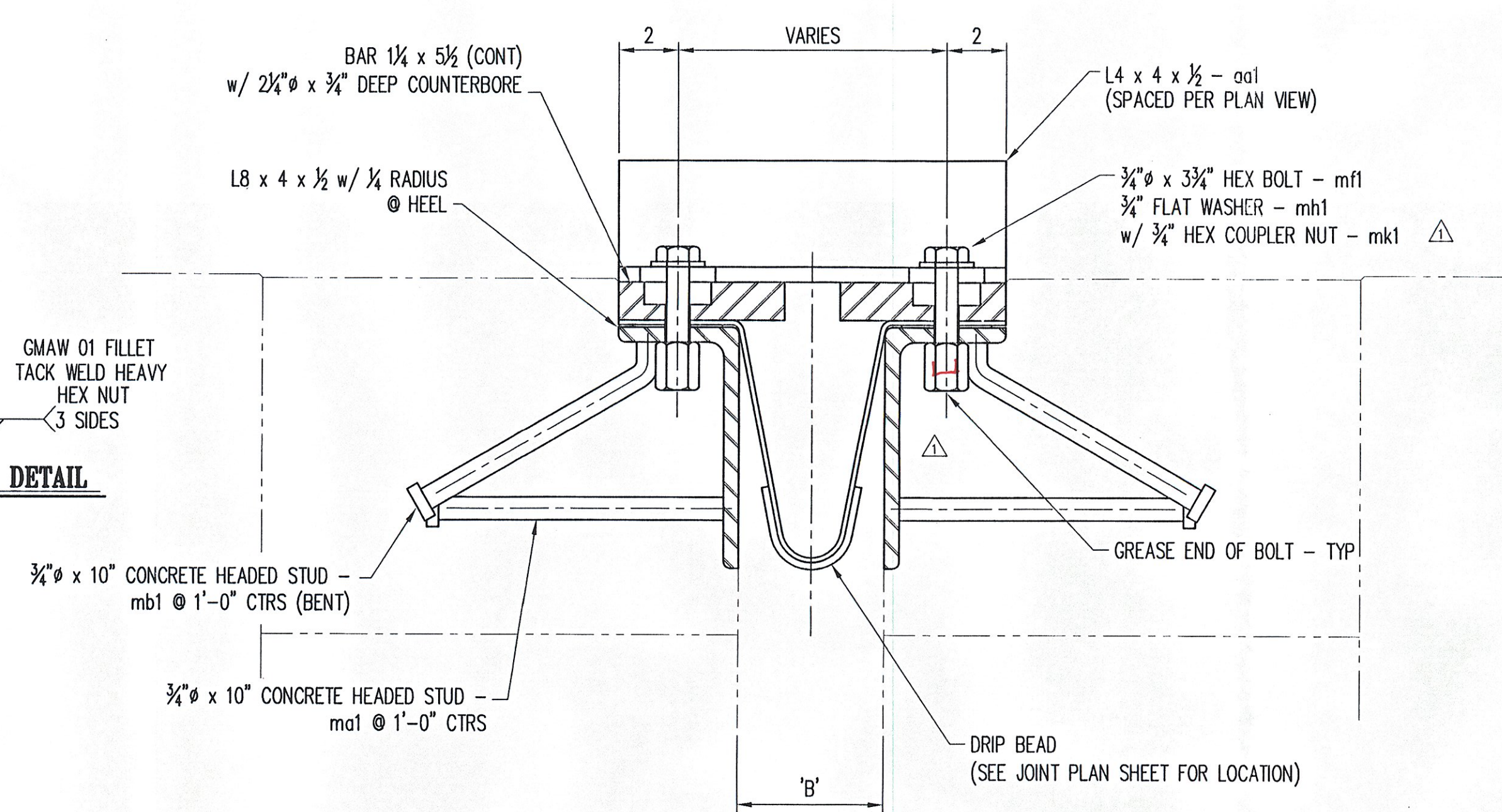


STANDARD SECTION VIEW: A-A

REFER TO JOINT PLAN SHEET FOR DIMENSIONS 'A' and/or 'B'



HEX NUT WELD DETAIL



SHIPPING ANGLE SECTION: C-C

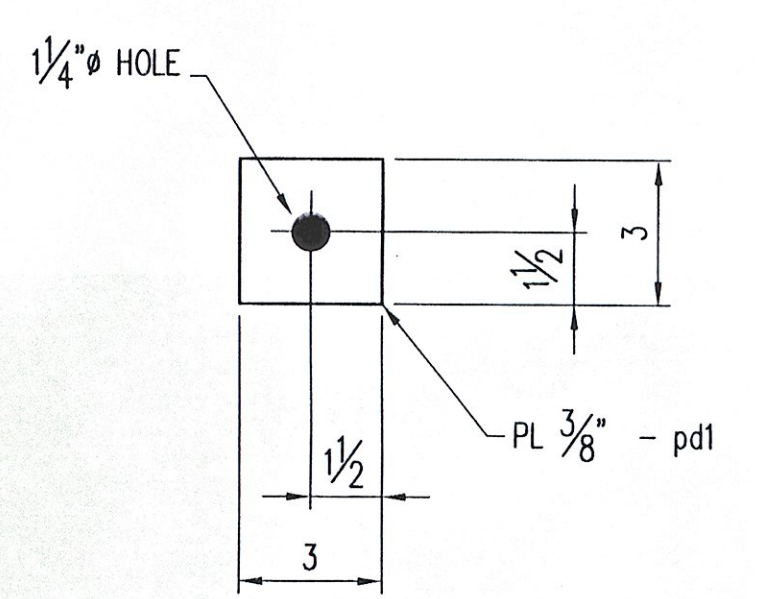
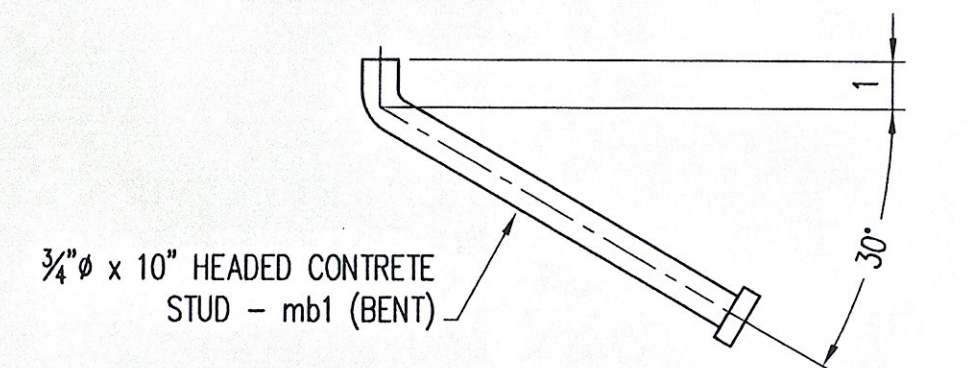
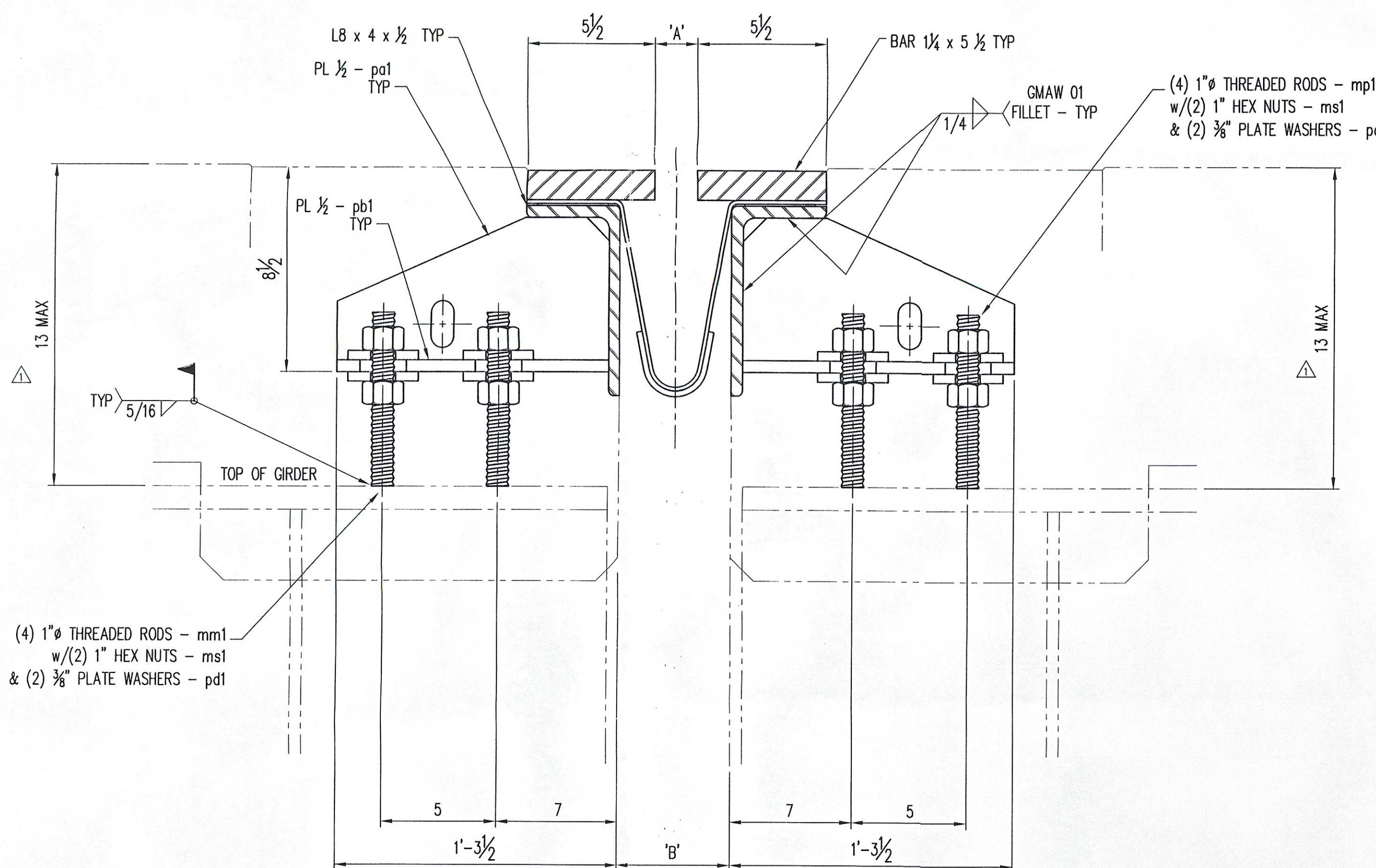


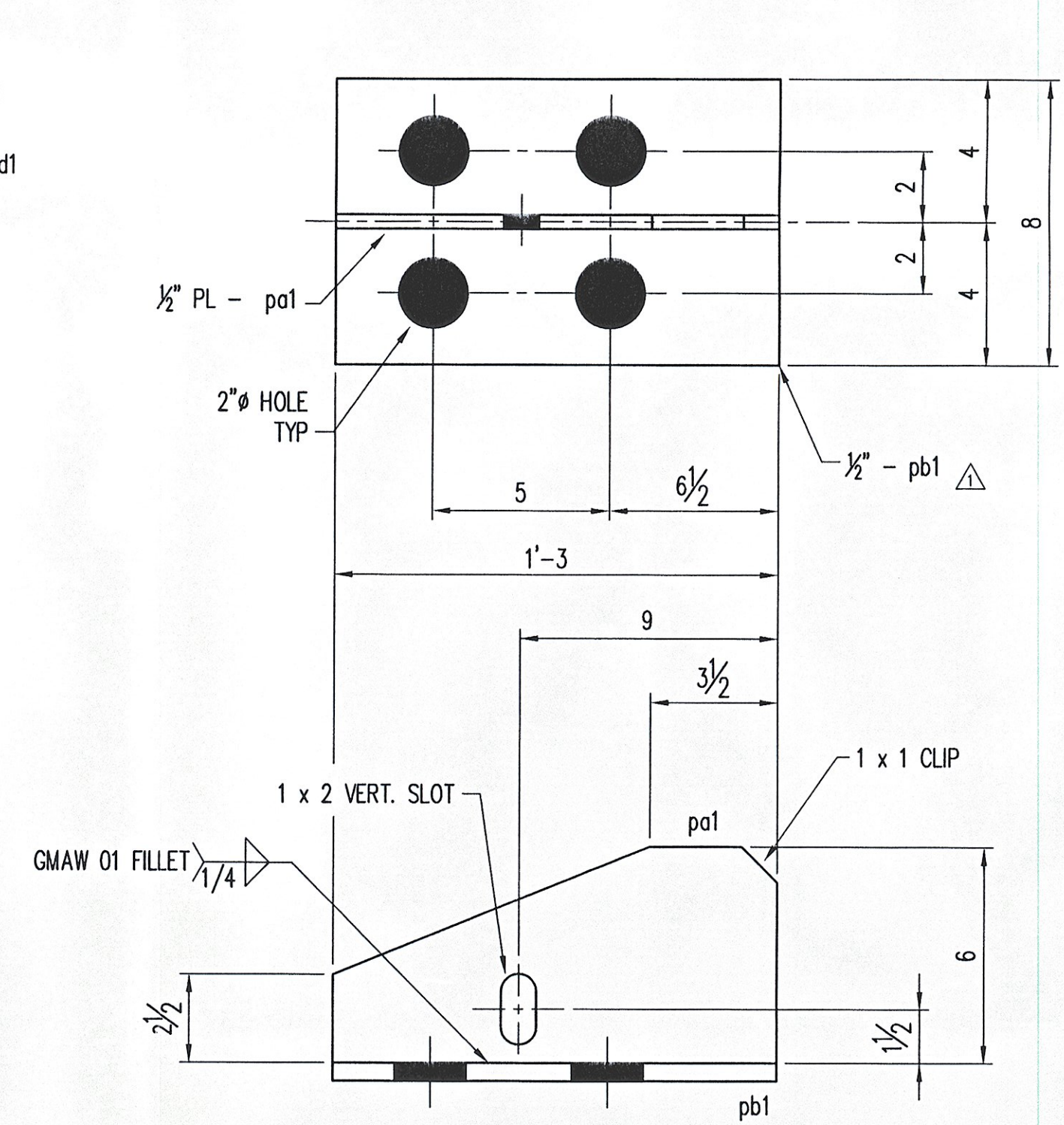
PLATE WASHER DETAIL



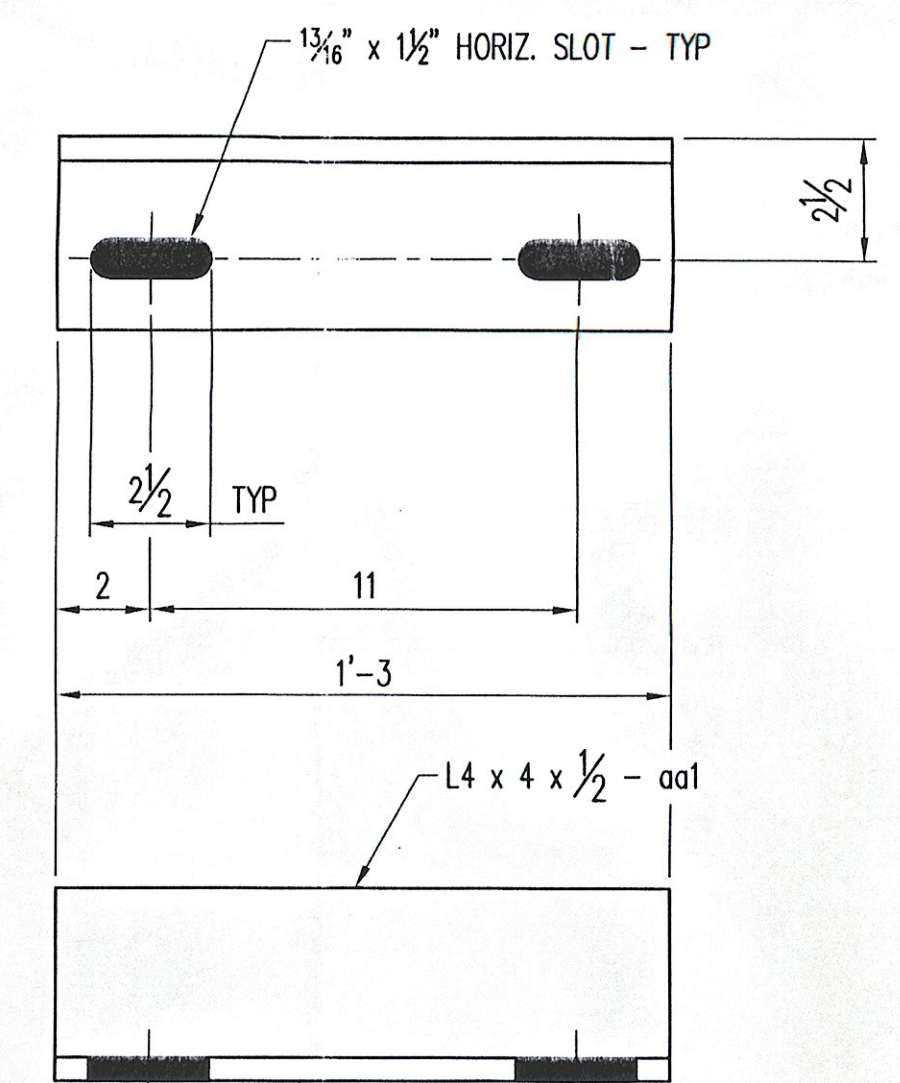
BENT STUD DETAIL



GIRDER SECTION VIEW: B-B



BRACKET DETAIL



SHIPPING ANGLE DETAIL

GENERAL NOTES:

- ALL MATERIALS, CONSTRUCTION AND DESIGN SHALL CONFORM TO THE STATE OF VERMONT, AGENCY OF TRANSPORTATION STANDARD SPECIFICATION FOR CONSTRUCTION, DATED 2006, AND ITS LATEST REVISIONS, AND THE AASHTO STANDARD SPECIFICATIONS FOR HIGHWAY BRIDGES, 17th EDITION DATED 2002, AND ITS REVISIONS.
- WELDING SHALL MEET THE REQUIREMENTS OF THE ANSI/AASHTO/AWS D1.5 BRIDGE WELDING CODE AS MODIFIED BY THE STANDARD SPECIFICATIONS.
- HEADED CONCRETE STUDS SHALL BE ASTM A108 AND AUTOMATIC END WELDED WITH COMPLETE FUSION.
- ANY TIGHTLY ADHERENT WELD SPLATTER NEED NOT BE REMOVED IN COATING AREAS TO BE CAST IN CONCRETE.
- ALL STEEL COMPONENTS SHALL BE AASHTO M270 (GRADE 36) AND GALVANIZED OR METALIZED AS PER SUBSECTION 516.16 (UON). PRIOR TO GALVANIZING OR METALIZING, ALL CORNERS AND EDGES OF STEEL PLATES, SHAPES, ETC., SHALL BE GROUND TO A 1/16" +/- RADIUS.
- PREFORMED FABRIC MATERIAL SHALL BE CONTINUOUS AND SHALL CONFORM TO SUBSECTION 707.07.
- BUTYL RUBBER TAPE SHALL CONFORM TO AASHTO SPECIFICATION M-198, TYPE II.
- FABRIC TROUGH SHALL BE THOROUGHLY CLEANED AND FLUSHED AFTER PAVING OPERATION.
- THE EXPANSION JOINT SHALL BE SHOP ASSEMBLED AND SHIPPED AS 2 UNITS.
- THE 8 x 4 x 1/2 ANGLES SHALL BE FURNISHED AS 2 PIECES. THE 1 1/4 x 5 1/2 BARS ON EACH SIDE OF THE JOINT SHALL BE PROVIDED IN 2 EQUAL LENGTHS.

STRUCTURES COPY

RECEIVED
 CK'D BY JSS OK'D BY RSY
 MAY - 7 2008
 RESUBMIT _____ APPROVED As Noted
 BY OPW DATE 5/8/08

No.	Description	Date	By	Approved
1	REVISIONS PER APPROVAL DRAWINGS	4/28/08	SB	

Niagara Bridge and Rail
 4817 Henry Avenue, Niagara Falls, N.Y. 14304
 Phone: (716) 283-4710 Fax: (716) 283-5137

Project Information:
 STATE: VERMONT
 COUNTY:
 CITY / TOWNSHIP: BERLIN
 LOCATION: I-89 (NB & SB) OVER VT ROUTE 12
 PROJECT NO.: 1M 089-1 (20)
 OWNER: VT-AOT
 CONTRACTOR:

Drawn By: JB Date: 3/23/08 Checked By: TFW Date: 3/30/08

Description: VERMONT - EXPANSION JOINT DETAIL STANDARD DETAILS
 Sheet No.: 1 of 5 Scale: NONE
 Drawing No.: 10064-01 Rev No.: 1