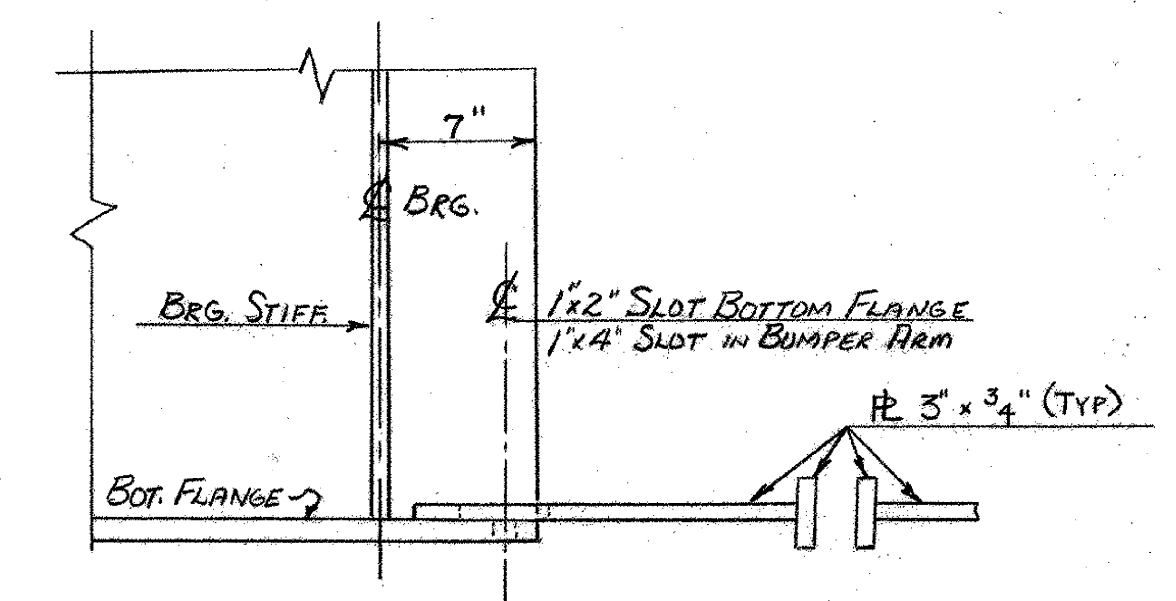


- NOTE: USE GIRDER BUMPER AT:
- 36-2 + 36-8 } PIER #1
 - 36-5 + 36-11 } PIER #2
 - 36-8 + 36-14 } PIER #3
 - 36-11 + 36-17 } PIER #4
 - NG-2 + NG-8 } PIER #1
 - NG-5 + NG-11 } PIER #2
 - NG-8 + NG-14 } PIER #3
 - NG-11 + NG-17 } PIER #4

GIRDER BUMPER DETAIL
SCALE: 1/2" = 1'-0"



- NOTES:
1. PREFORMED FABRIC PADS, 1/8" THICK, EQUAL IN SIZE TO THE BEARING PLATES, AND CONFORMING TO SPECIFICATION 404.02 (23) SHALL BE USED UNDER EACH BEARING.
 2. ALIGN DEVICES SO THAT ALL ROCKER ARM SHAFTS WILL BE VERTICAL @ 45° F.
 3. CONTACT SURFACES OF ROCKERS ARE TO BE GIVEN ONE SHOP COAT OF WHITE LEAD AND TALLOW. PINTEL HOLES ARE TO BE FILLED WITH GRAPHITE AND GREASE AT TIME OF PLACEMENT. REMAINDER OF BEARING DEVICE IS TO BE GIVEN (3) THREE COATS OF PAINT IN ACCORDANCE WITH SPECIFICATION 404.03.
 4. FOR GENERAL NOTES SEE BR-400

THIS SHEET FOR REFERENCE ONLY
BERLIN 1M 089-1(20)
BRIDGES 40 N&S
SHEET 91 OF 104

STATE OF VERMONT
DEPARTMENT OF HIGHWAYS

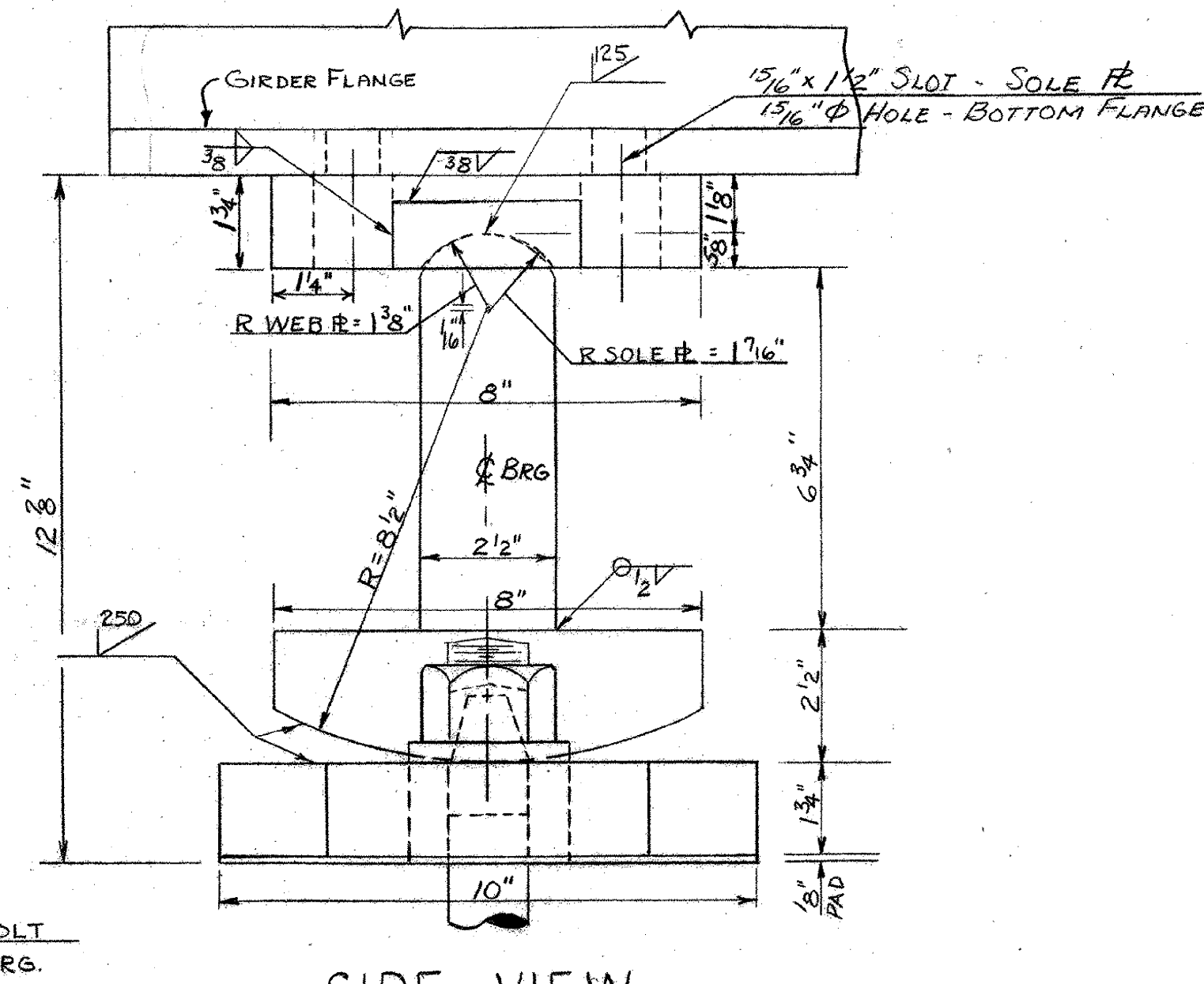
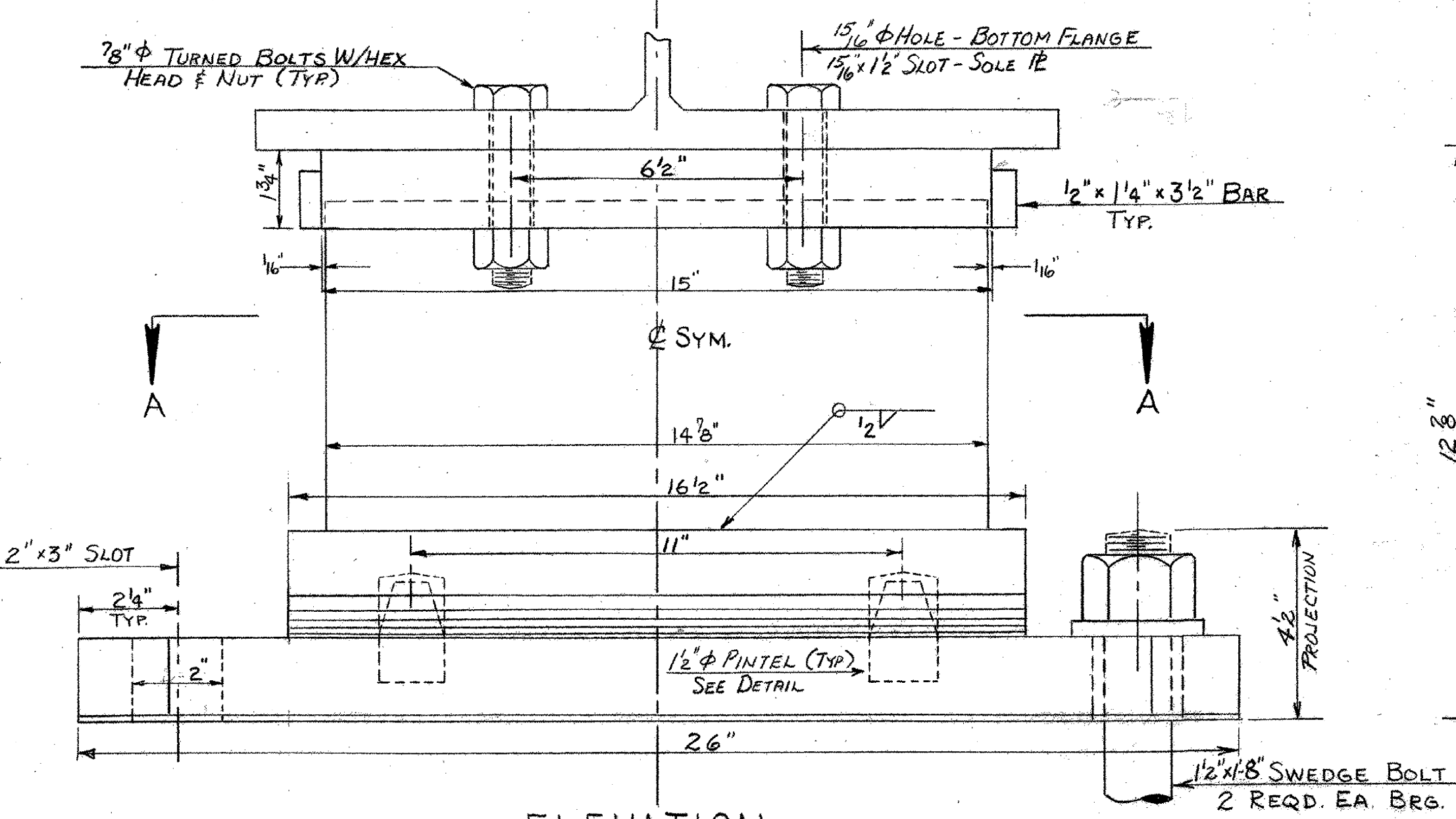
PROJECT BERLIN - MONTPELIER
TOWNS OF BERLIN & MONTPELIER

ROUTE No. 189 STA. 189 OVER VT. RTE 12

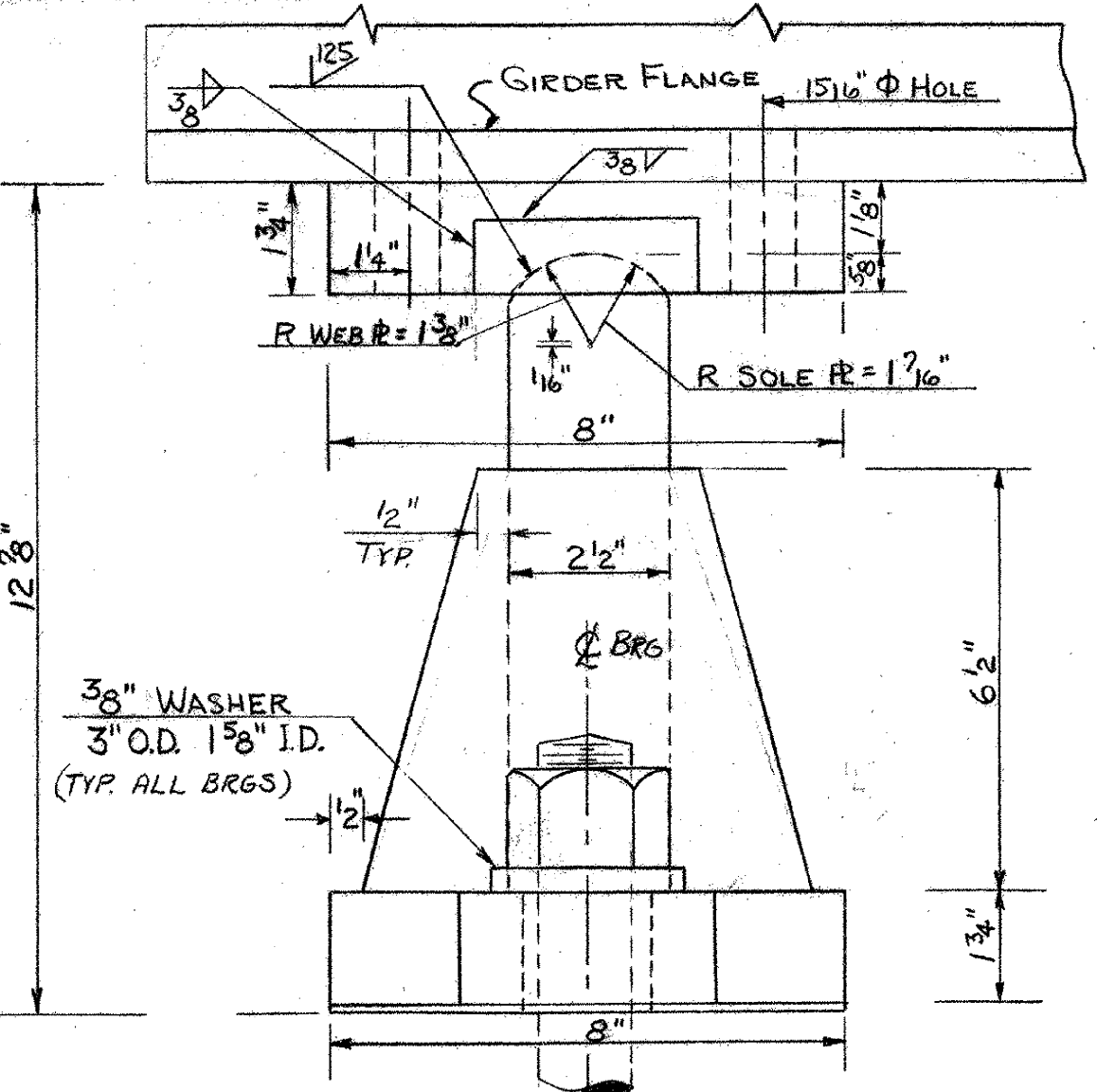
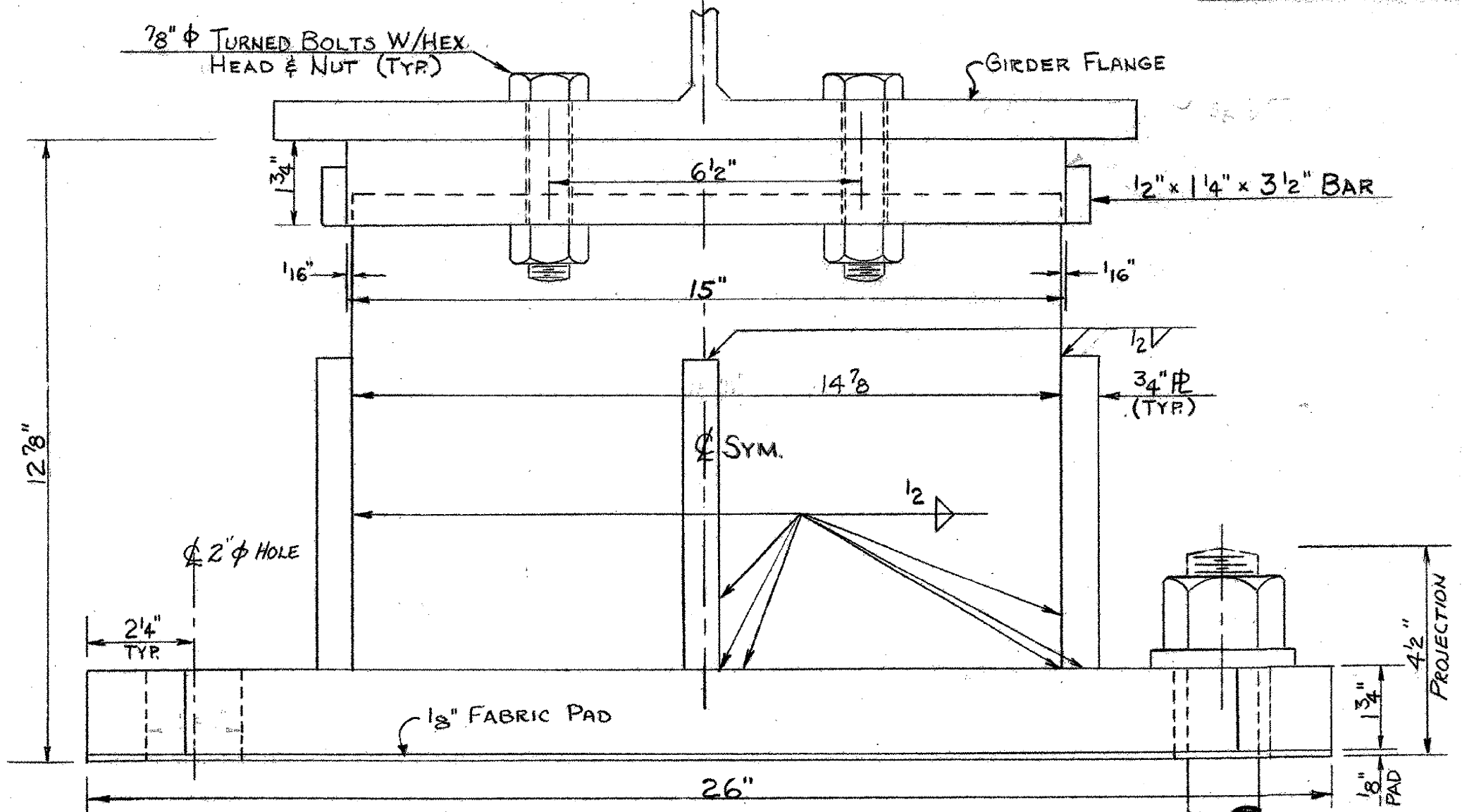
BEARING DEVICE & BUMPER DETAILS
SCALE 3/8" = 1" OR AS NOTED

IN CHARGE W. SMITH
DRAWN BY R. LADD CHECKED BY W. TRIPP 11-27

PROJECT No. 189-1(12)
SHEET 162 OF 197 BR-414



EXPANSION DEVICE



FIXED DEVICE