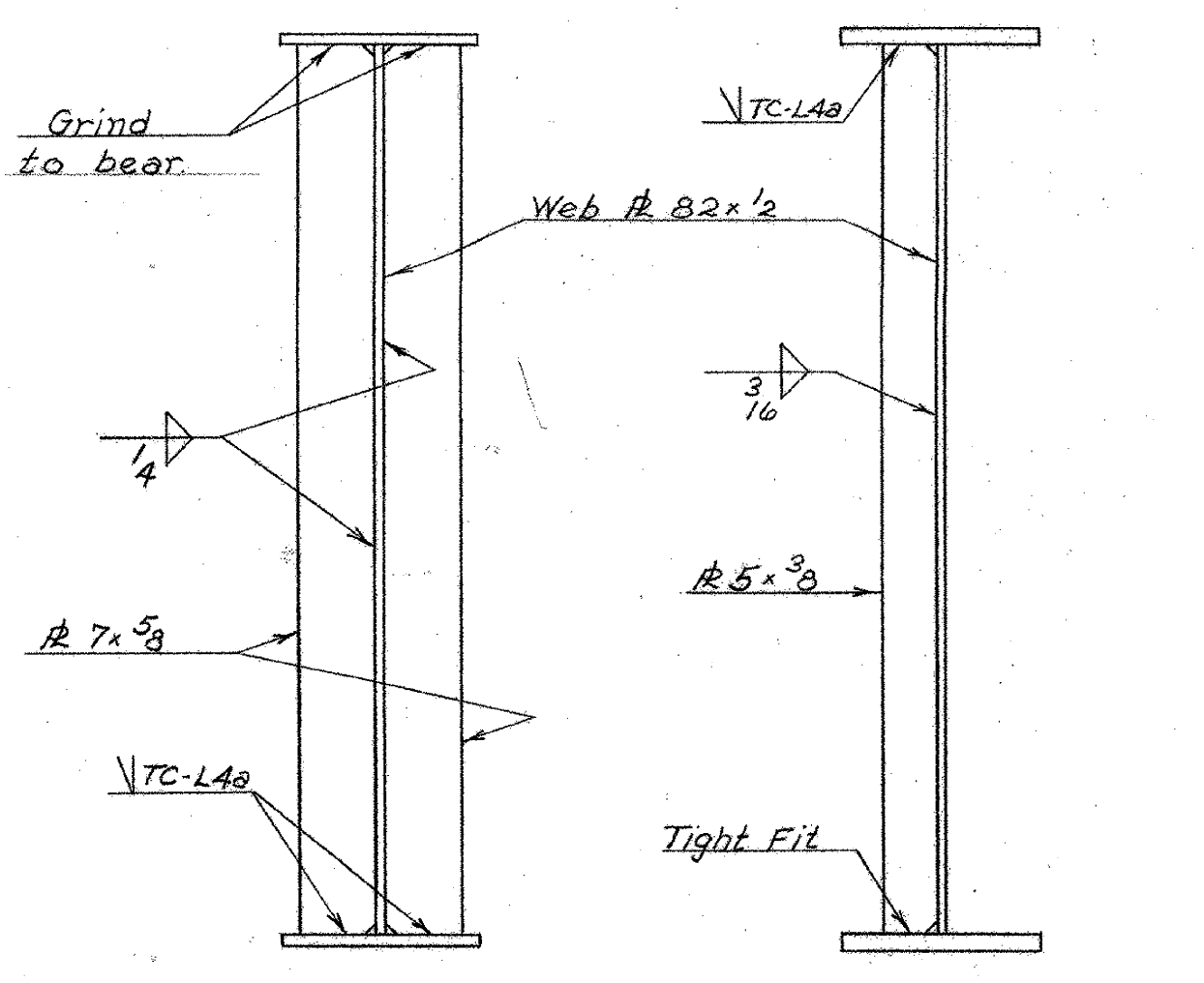
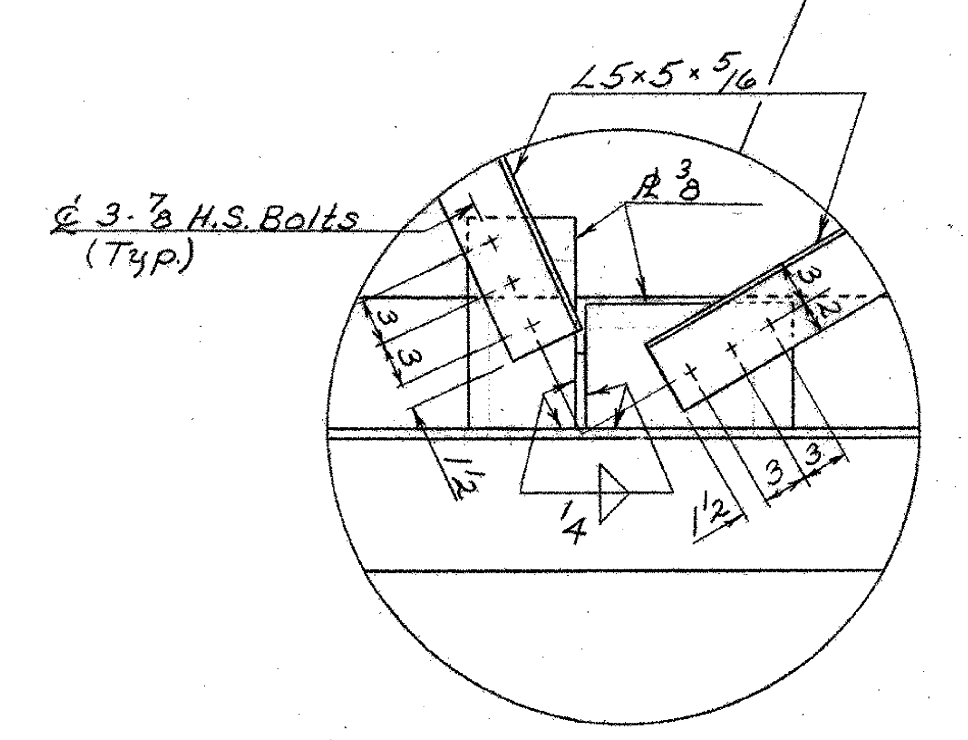


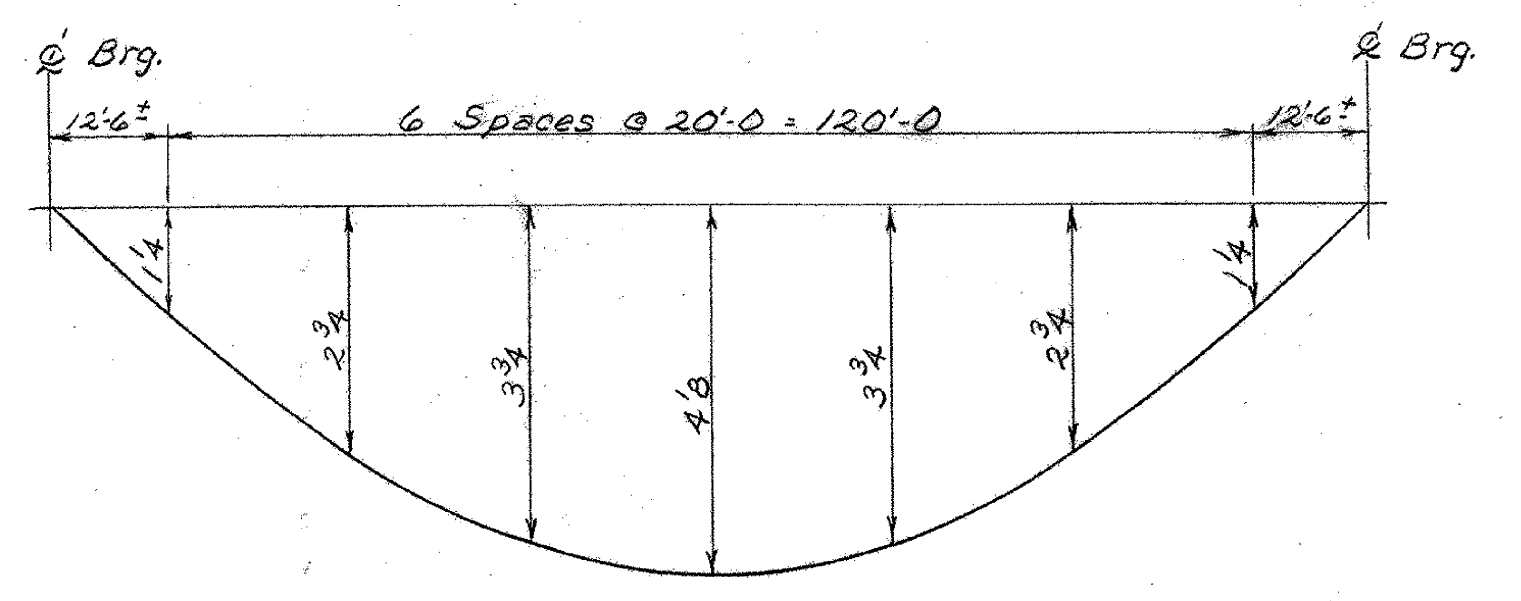
FRAMING PLAN DETAILS
SCALE: 1/2" = 1'-0"



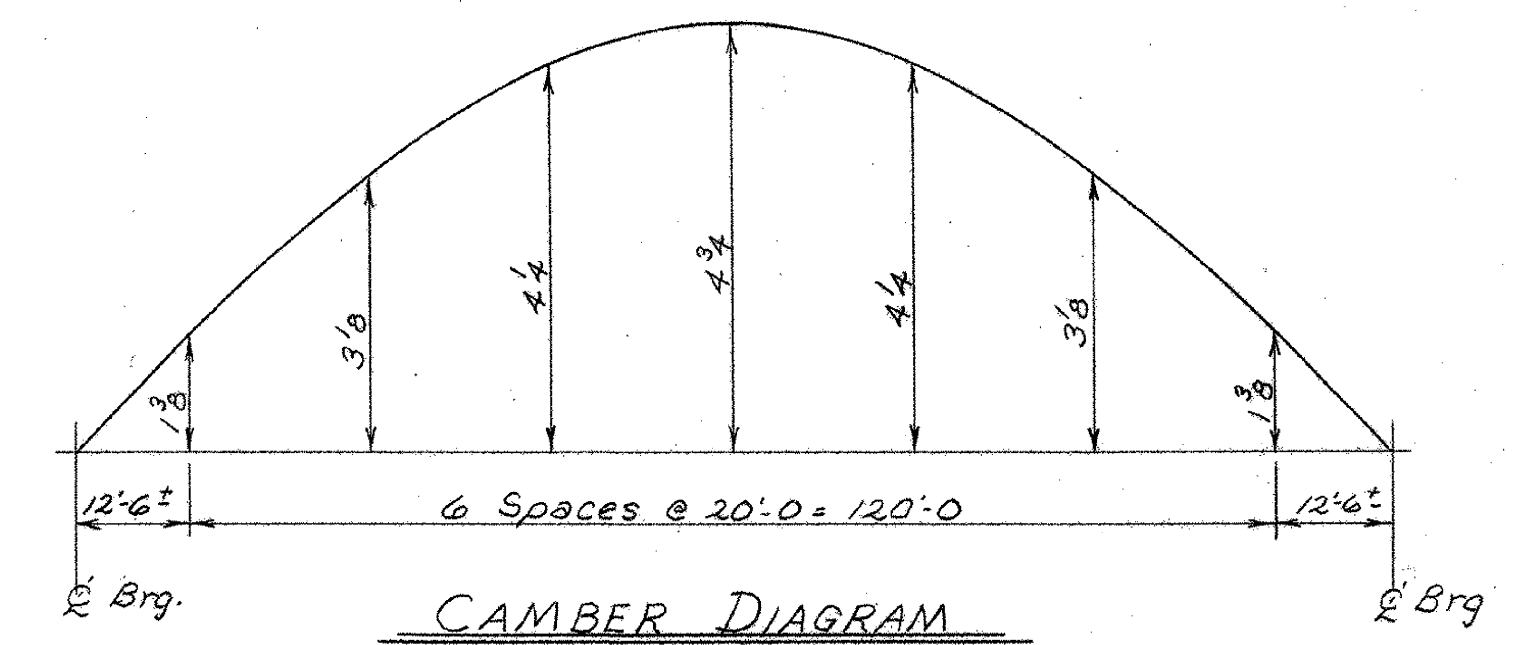
STIFFENER DETAILS
SCALE: 3/4" = 1'-0"



LATERAL BRACING CONNECTION DETAIL
SCALE: 1" = 1'-0"



DEAD LOAD DEFLECTION DIAGRAM
(DUE TO WEIGHT OF GIRDER, BRACING, SLAB, CURBS, RAILING, & PAVEMENT)
NOT TO SCALE



CAMBER DIAGRAM
(SIMILAR ALL GIRDERS)
NOT TO SCALE

- NOTES**
1. See BR 400 For General Notes.
 2. See BR 406 For additional details of Bracing and Cross Frames.

THIS SHEET FOR REFERENCE ONLY
BERLIN IM 089-1(20)
BRIDGES 40 N&S
SHEET 88 OF 104

STATE OF VERMONT
DEPARTMENT OF HIGHWAYS

PROJECT BERLIN-MONTPELIER
TOWNS OF BERLIN & MONTPELIER
ROUTE No I 89 STA. 193.50±
I 89 OVER VT. 12
GIRDER & BRACING DETAILS
SCALE As Noted
IN CHARGE W. SMITH
DRAWN BY W. TRIPP CHECKED BY R. LADD
PROJECT No. I 89-1(12)
SHEET 102 OF 127 BR. 411