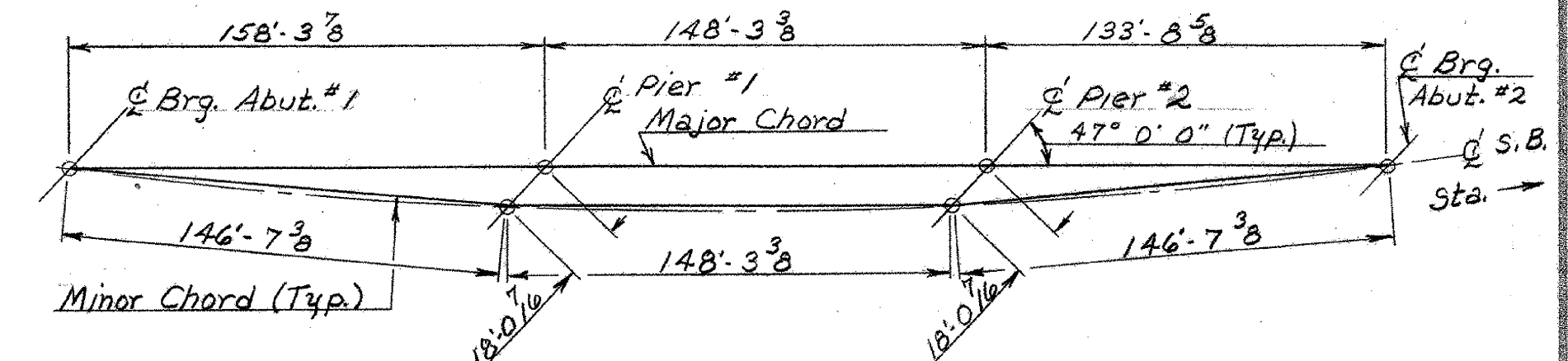
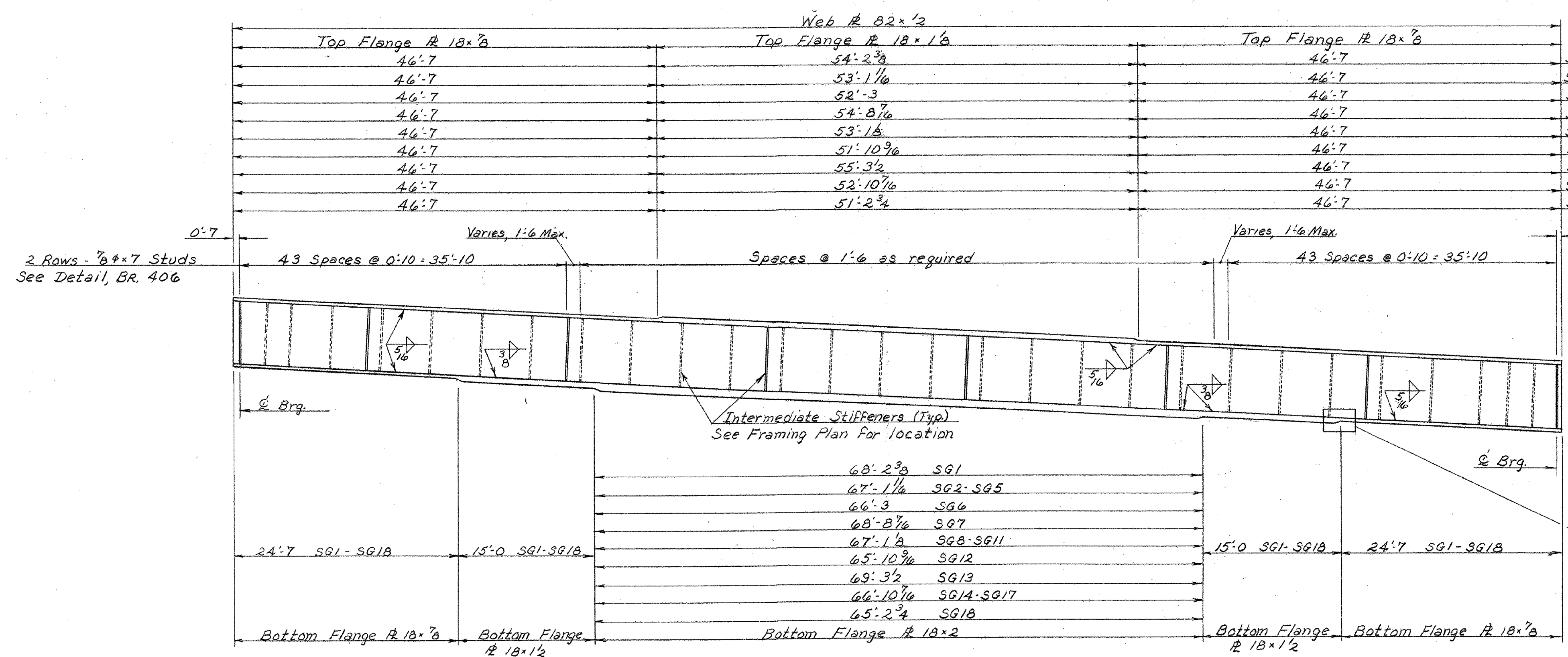


S.B. SPAN #3 FRAMING PLAN  
SCALE: 1/8" = 1'-0"



S.B. CHORD LAYOUT  
N.T.S.

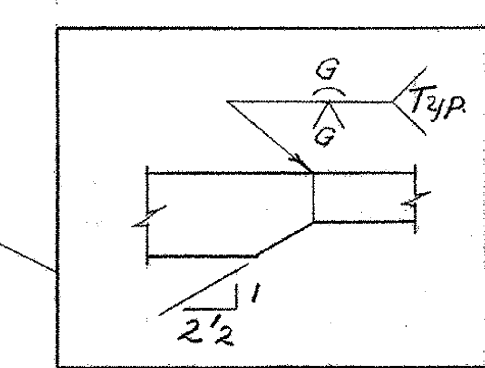


TYPICAL SOUTHBOUND GIRDER ELEVATION  
SCALE: 1/8" = 1'-0"

SG1 Total Length	147'-4 3/8"
SG2-SG5	146'-3 3/8"
SG6	145'-5"
SG7	147'-10 7/8"
SG8-SG11	146'-3'0"
SG12	145'-0 3/8"
SG13	148'-5 1/2"
SG14-SG17	146'-0 1/8"
SG18 Total Length	144'-4 3/4"

- NOTES**
1. See BR. 400 For General Notes.
  2. See BR. 411 For Framing Details
  3. See BR. 406 For Intermediate and End Cross Frame Details.

THIS SHEET FOR REFERENCE ONLY  
BERLIN IM 089-1(20)  
BRIDGES 40 N&S  
SHEET 85 OF 104



TYPICAL FLANGE BUTT WELD  
N.T.S.

**STATE OF VERMONT**  
DEPARTMENT OF HIGHWAYS

PROJECT BERLIN-MONTPELIER  
TOWNS OF BERLIN & MONTPELIER  
ROUTE NO. I 89 STA. 193+50  
I 89 OVER VT. 12

S.B. SPAN #3 FRAMING PLAN & GIRDER ELEV.  
SCALE AS NOTED  
IN CHARGE W. SMITH  
DRAWN BY W. TRIPP CHECKED BY R. LADD  
11-67  
PROJECT NO. I 89-1(12)  
SHEET 189 OF 192 BR. 408