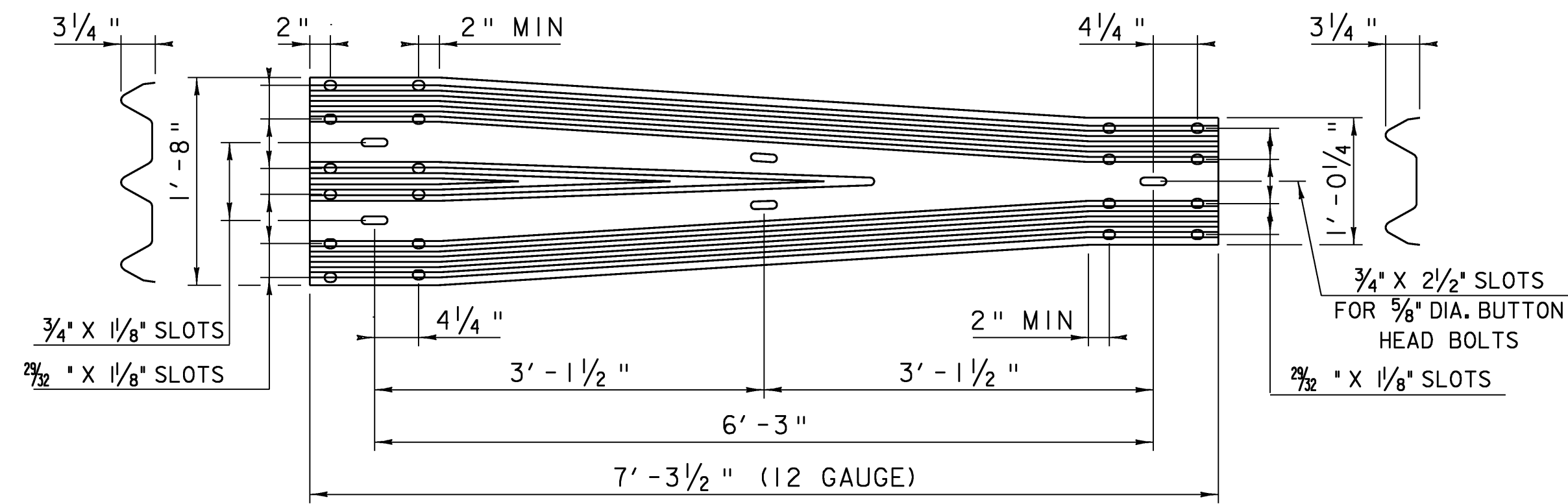


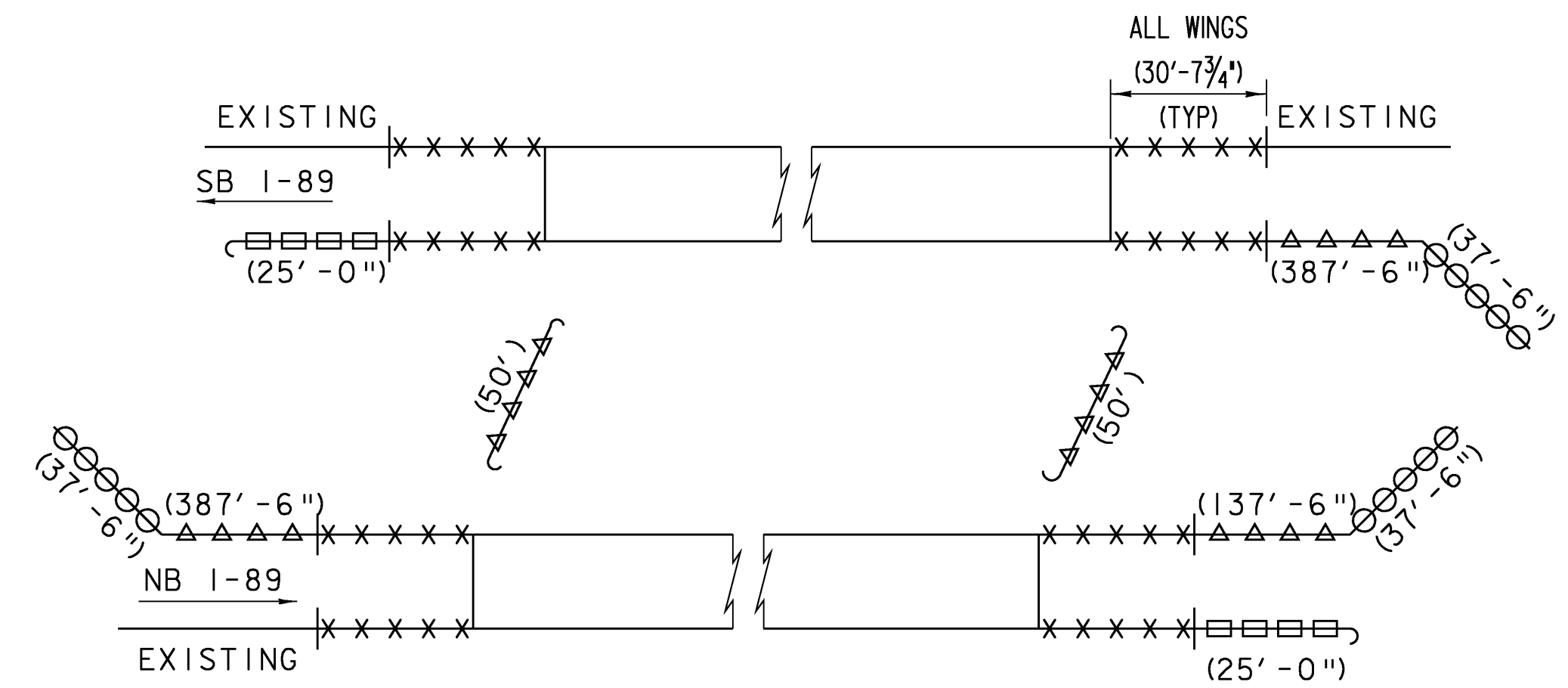
**THRIE-BEAM TERMINAL CONNECTOR
BOLT TO CONCRETE BARRIER & THRIE-BEAM**

SCALE 1" = 1'-0"



**THRIE-BEAM TO HDSB
TRANSITION SECTION**

SCALE 1" = 1'-0"

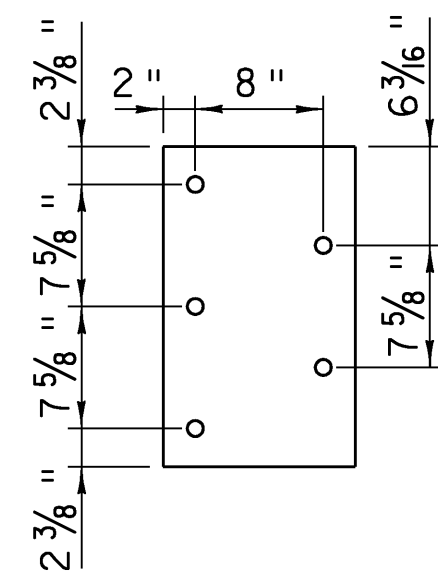


RAIL PAY ITEMS

NTS

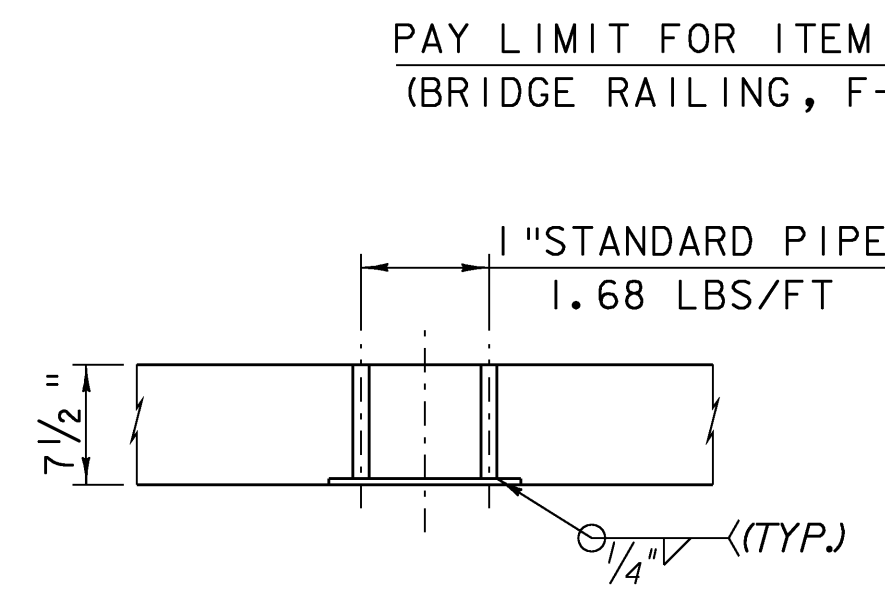
- XXXXX - SEE APPROACH SECTION BELOW
- ⊗ - MANUFACTURED TERMINAL SECTION, FLARED
- ▣ - HD STEEL BEAM GUARD RAIL, GALVANIZED, TRAILING END TERMINAL. SEE STANDARD G-1d
- ▲ - HD STEEL BEAM GUARD RAIL, GALVANIZED. SEE STANDARD G-1

NOTE: THRIE-BEAM TERMINAL CONNECTOR SHALL BE INCLUDED UNDER ITEM 900.620, SPECIAL PROVISION (GUARDRAIL APPROACH SECTION TO F-SHAPE CONCRETE RAIL). THRIE-BEAM CONNECTION PLATE SHALL BE INCIDENTAL TO ITEM 900.640, SPECIAL PROVISION (BRIDGE RAILING, F-SHAPE CONCRETE)



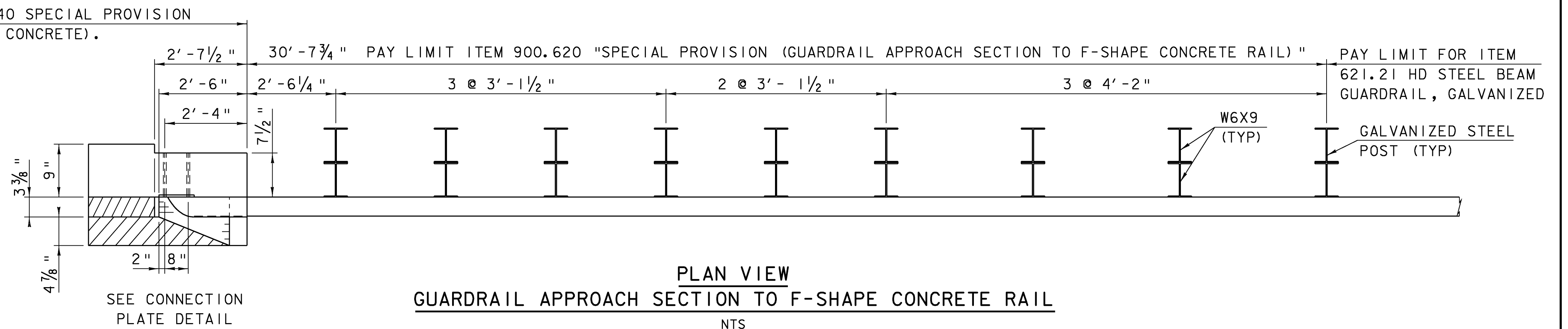
**ELEVATION THRIE-BEAM
CONNECTION PLATE DETAIL**

SCALE 1" = 1'-0"



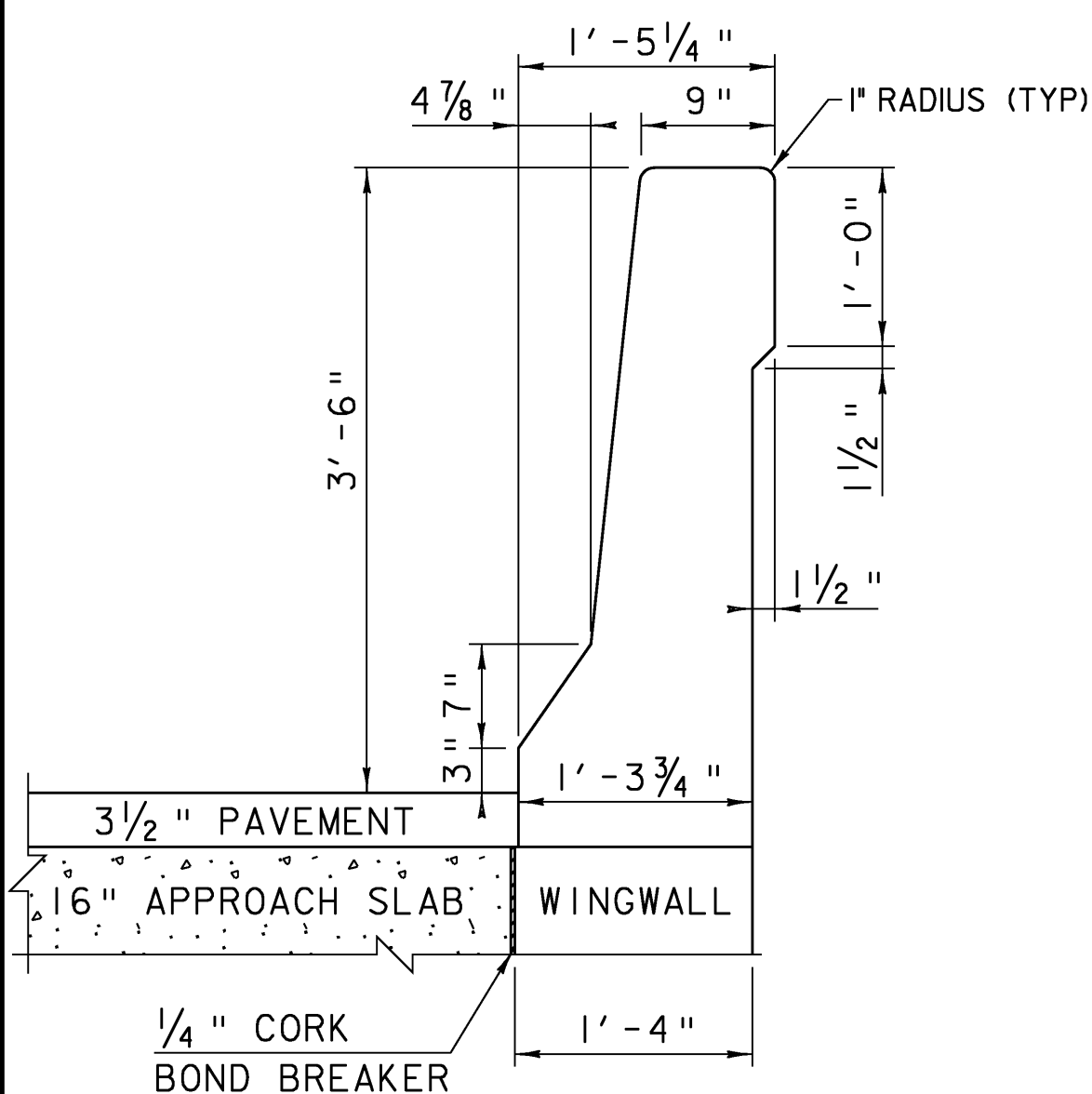
**PLAN THRIE-BEAM
CONNECTION PLATE DETAIL**

SCALE 1" = 1'-0"



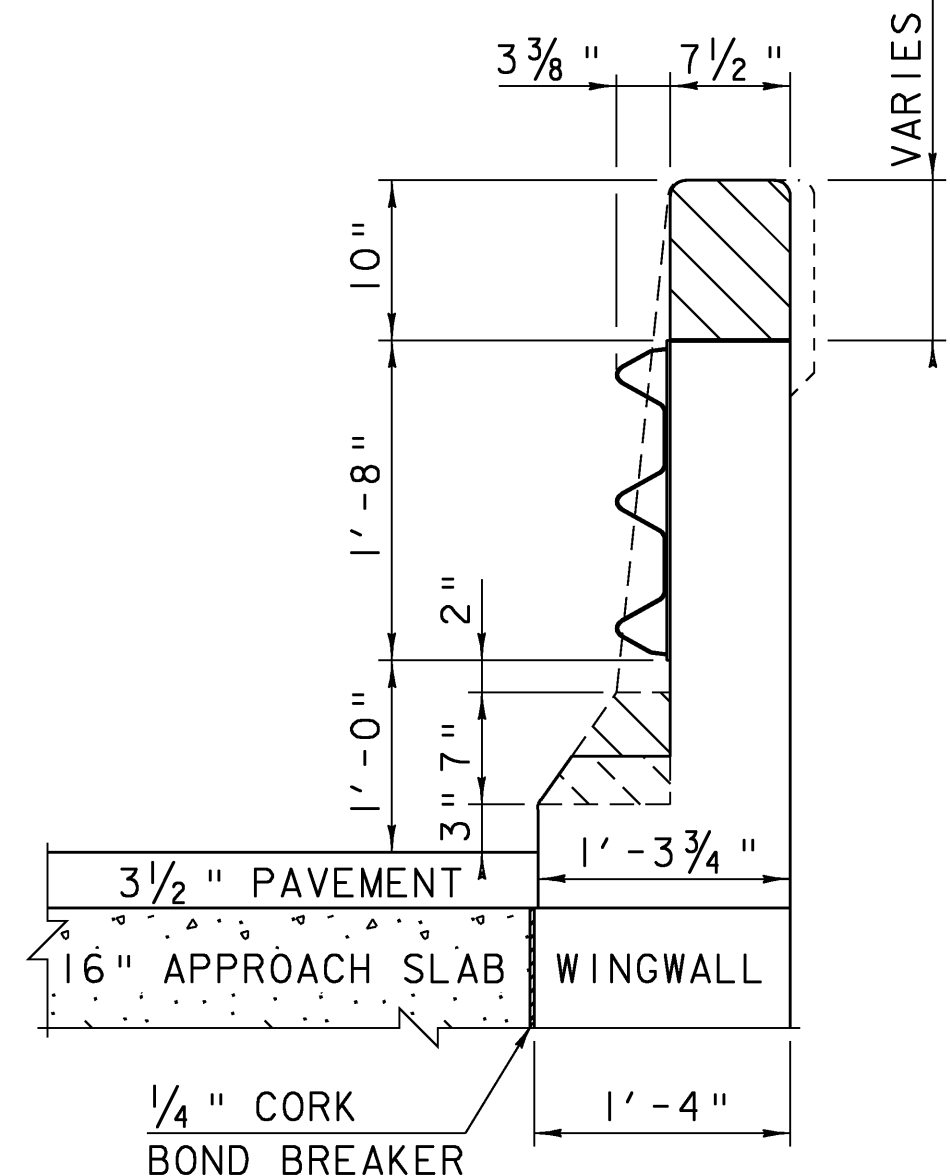
GUARDRAIL APPROACH SECTION TO F-SHAPE CONCRETE RAIL

NTS



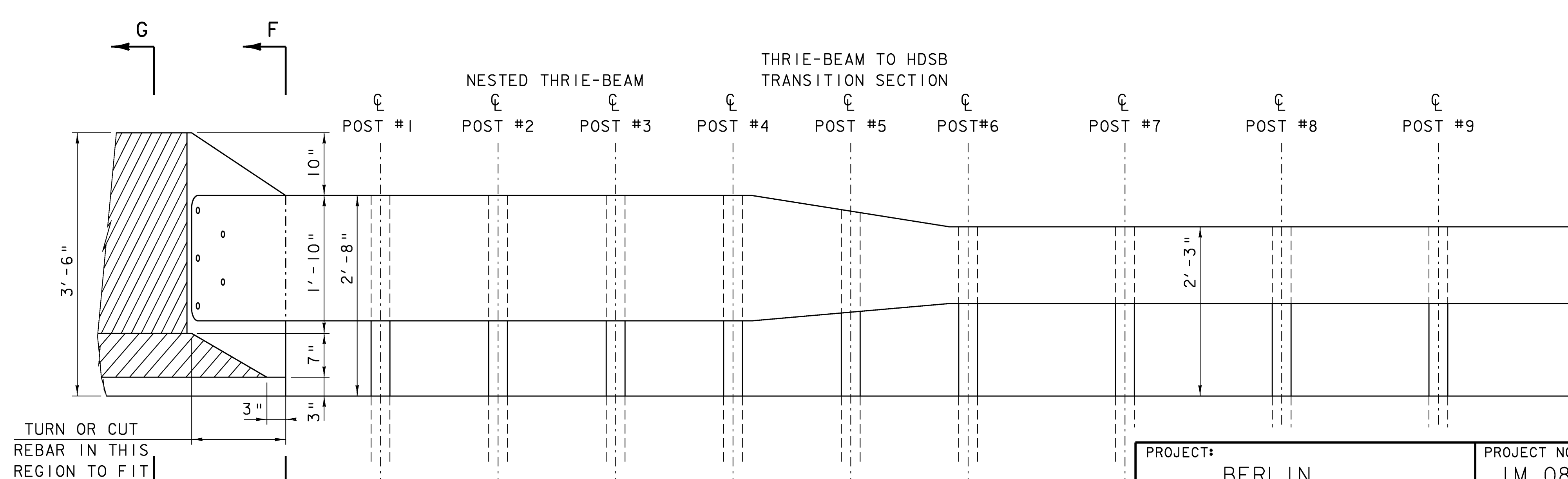
**SECTION G-G
NEW RAIL DETAIL**

SCALE 1" = 1'-0"



SECTION F-F

SCALE 1" = 1'-0"



**ELEVATION VIEW
GUARDRAIL APPROACH SECTION TO F-SHAPE CONCRETE RAIL**

NTS

SCALE 1" = 1'-0"
1 9 6 3 0

PROJECT:	BERLIN	PROJECT NO.:	IM 089-1 (20)
DESIGN FILE NAME:	99a270\structures\s99a270rail.dgn	PLOT DATE:	05-DEC-2007
IPARM FILE NAME:	s99a270railtran.i	DRAWN BY:	S. MORIN
DESIGNED BY:	G. SPILAK	CHECKED BY:	R. S. YOUNG
SQUAD LEADER:	C. P. WILLIAMS		
RAIL TRANSITION DETAILS			