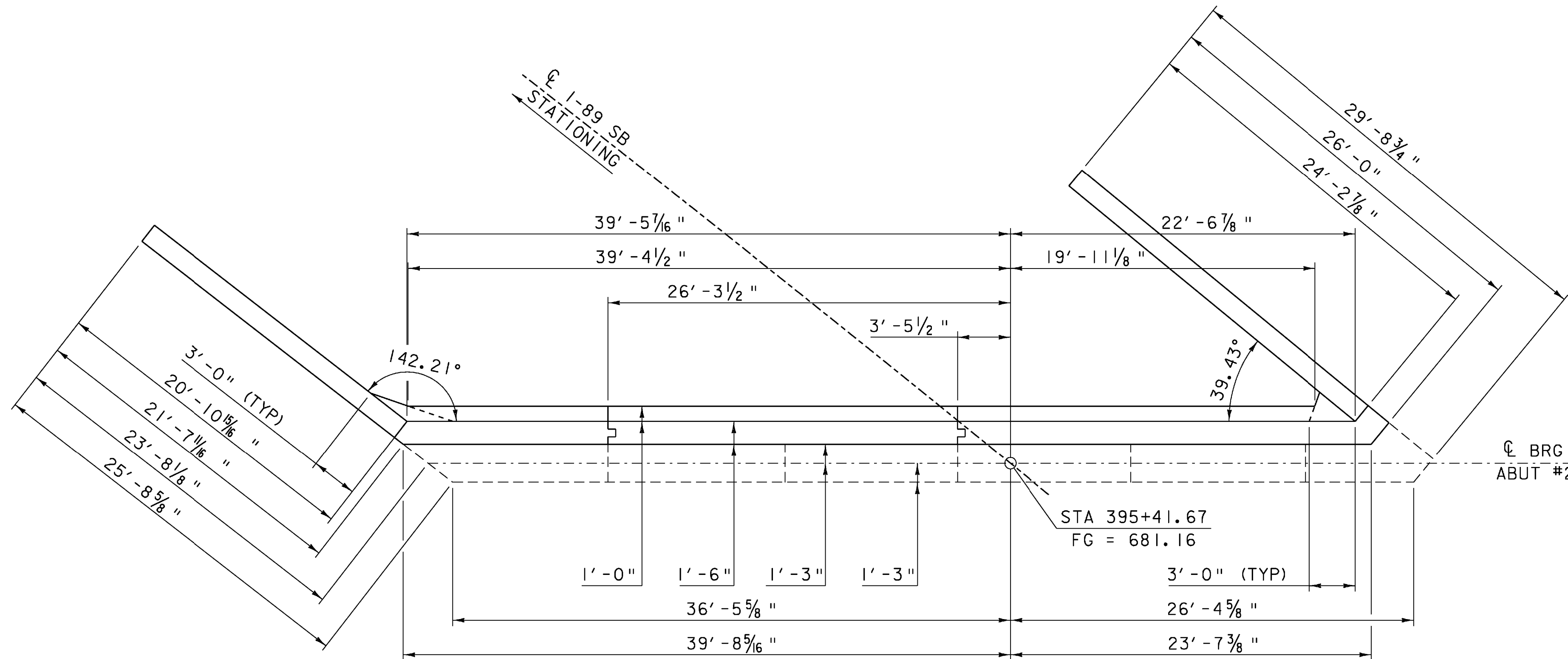
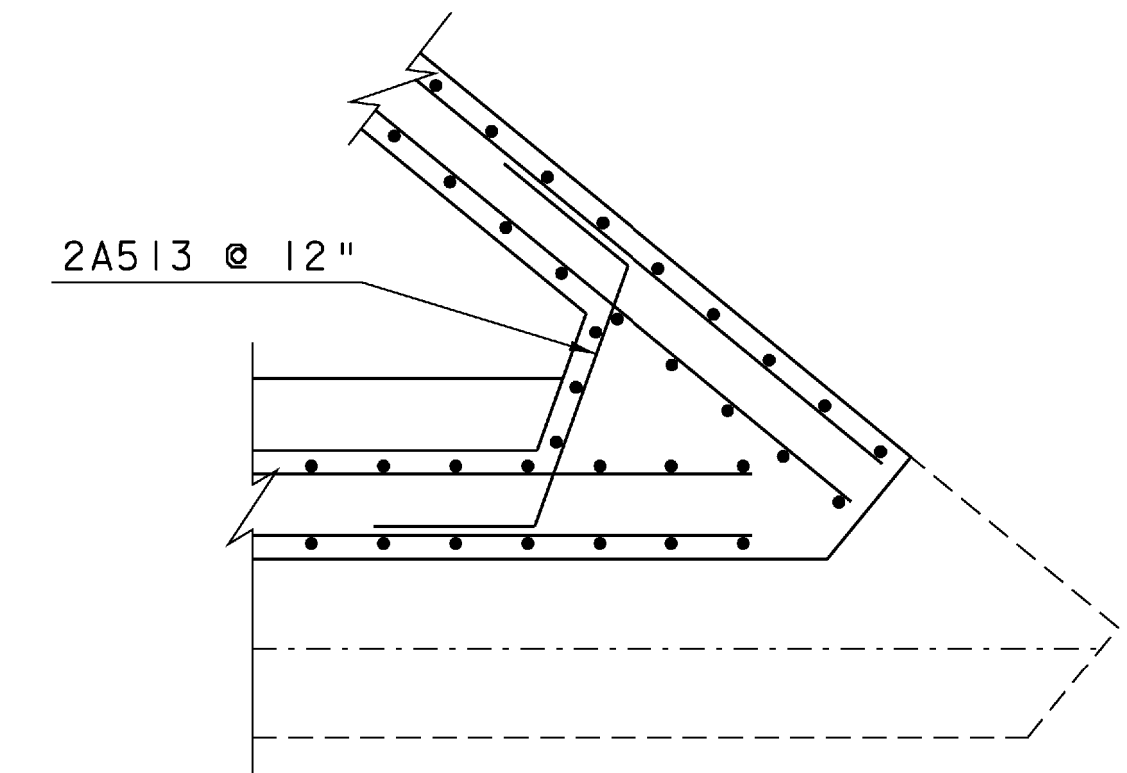


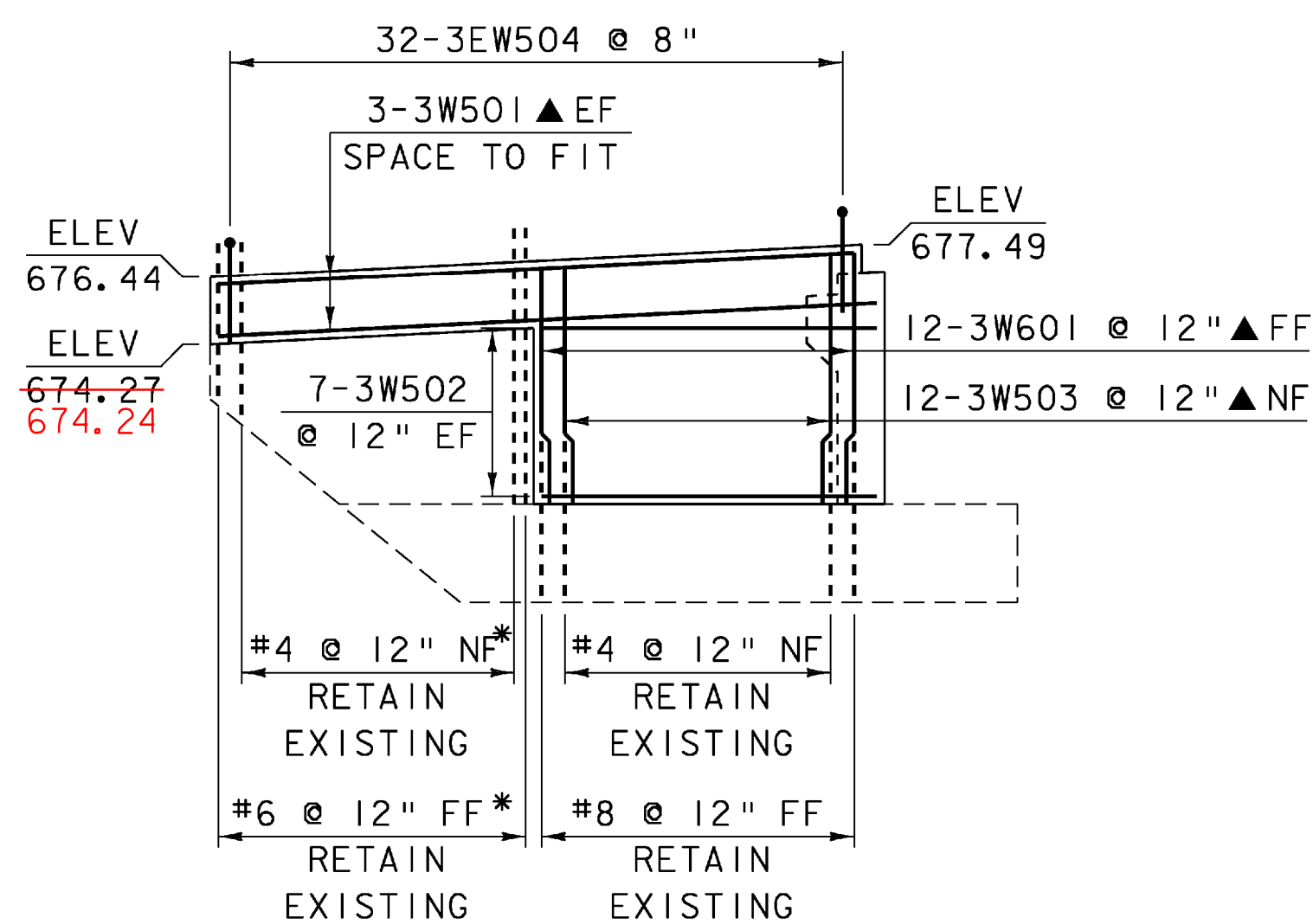
**WINGWALL #3
CORNER DETAIL**
SCALE 3/8" = 1'-0"



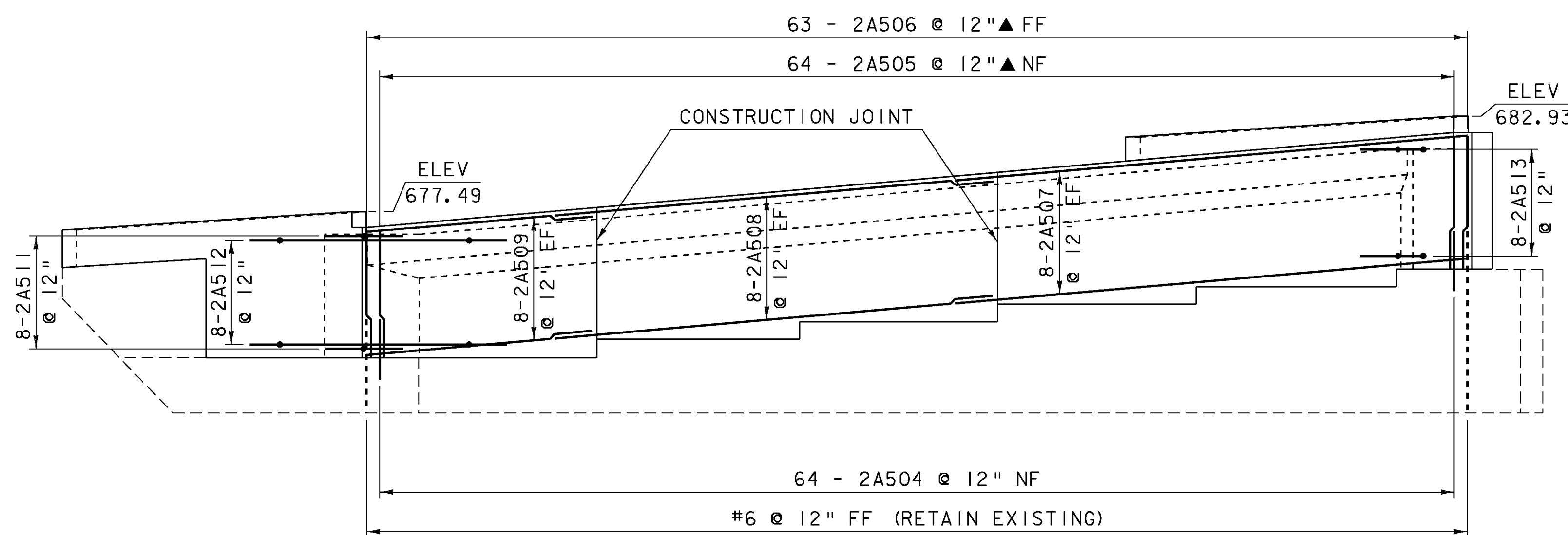
**ABUTMENT #2
PLAN VIEW**
SCALE 3/16" = 1'-0"



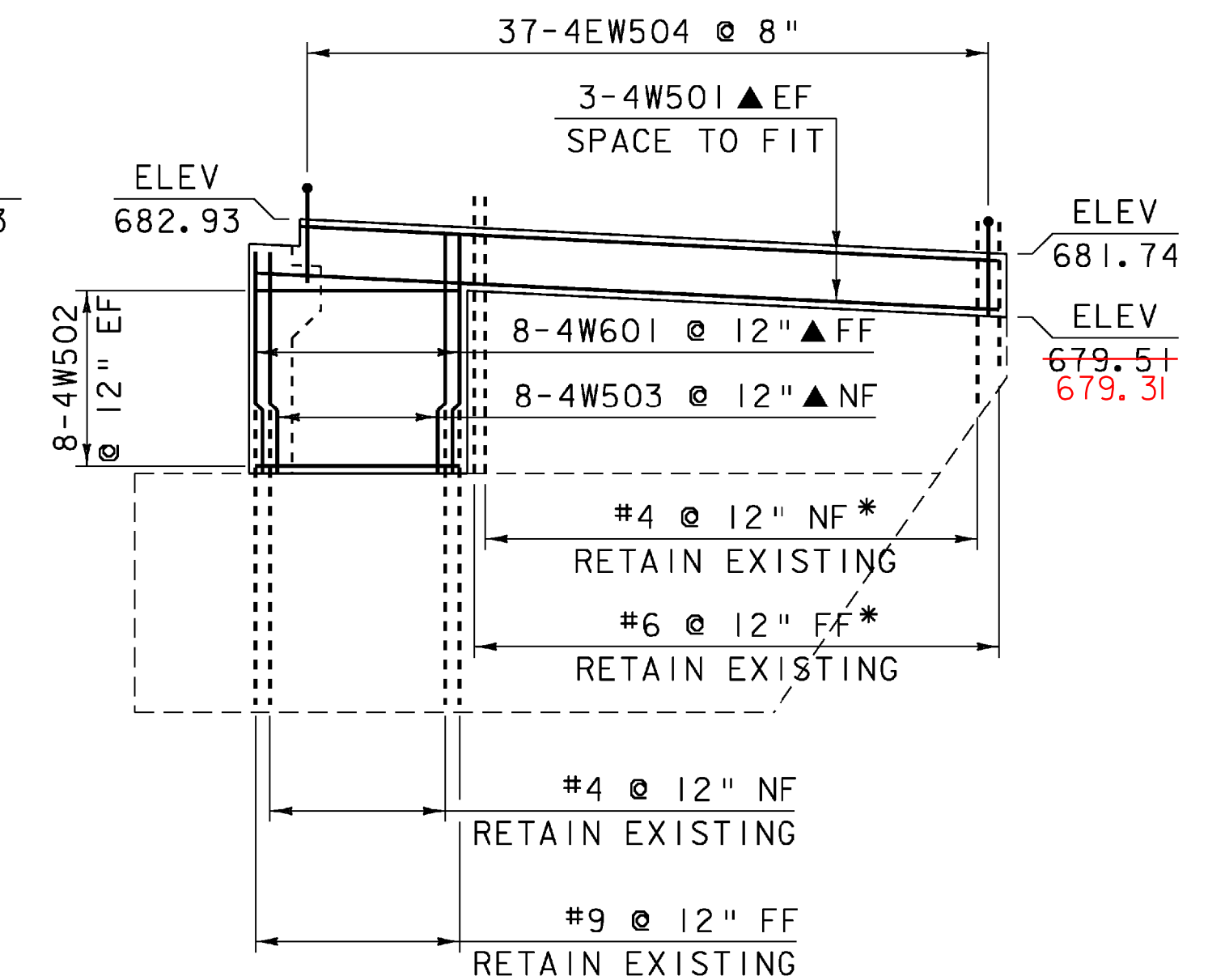
**WINGWALL #4
CORNER DETAIL**
SCALE 3/8" = 1'-0"



**WINGWALL #3
ELEVATION VIEW**
SCALE 3/16" = 1'-0"



**ABUTMENT #2
ELEVATION VIEW**
SCALE 3/16" = 1'-0"



**WINGWALL #4
ELEVATION VIEW**
SCALE 3/16" = 1'-0"

NOTES:

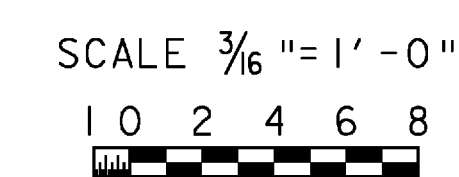
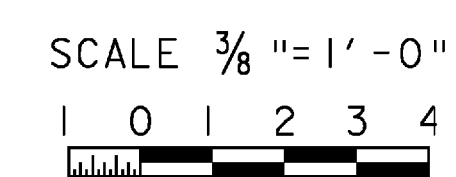
- NF = NEAR FACE
- FF = FAR FACE
- EF = EACH FACE
- ▲ = CUT TO FIT

3" CLEAR UNLESS OTHERWISE SPECIFIED ON PLANS.

ALL LAPS 2'-2" UNLESS OTHERWISE SPECIFIED ON PLANS.

SEE SHEET 55 FOR SECTION DETAILS

* IF EXISTING REINFORCING STEEL INTERFERES WITH NEW RAIL CONCRETE, BAR MAY BE BENT TO ACCOMMODATE NEW CONCRETE CLEARANCE REQUIREMENTS.



PROJECT: BERLIN	PROJECT NO.: IM 089-1 (20)
DESIGN FILE NAME: 99a270\structures\99a270abut.dgn	PLOT DATE: 05-DEC-2007
IPARM FILE NAME: s99a270abut2.i	DRAWN BY: WEEBER
DESIGNED BY: G.SPILAK	CHECKED BY: R.S.YOUNG
SQUAD LEADER: C.P.WILLIAMS	SHEET: 57 OF 104
ABUTMENT #2 DETAILS	