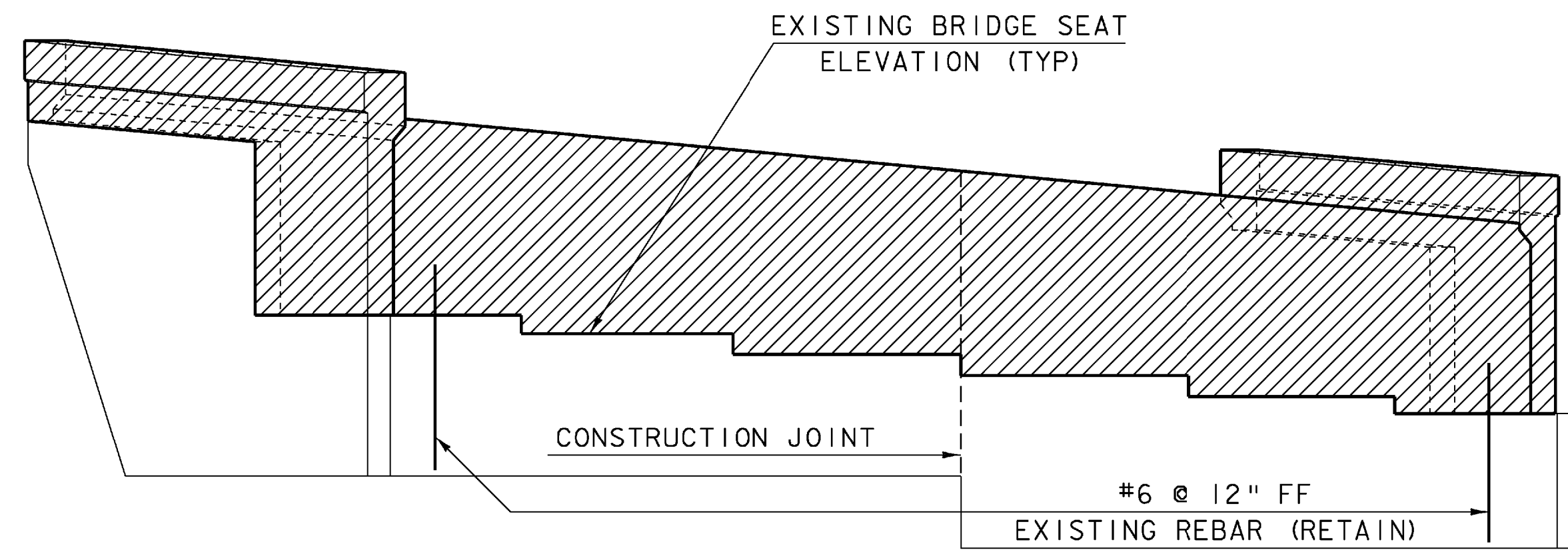
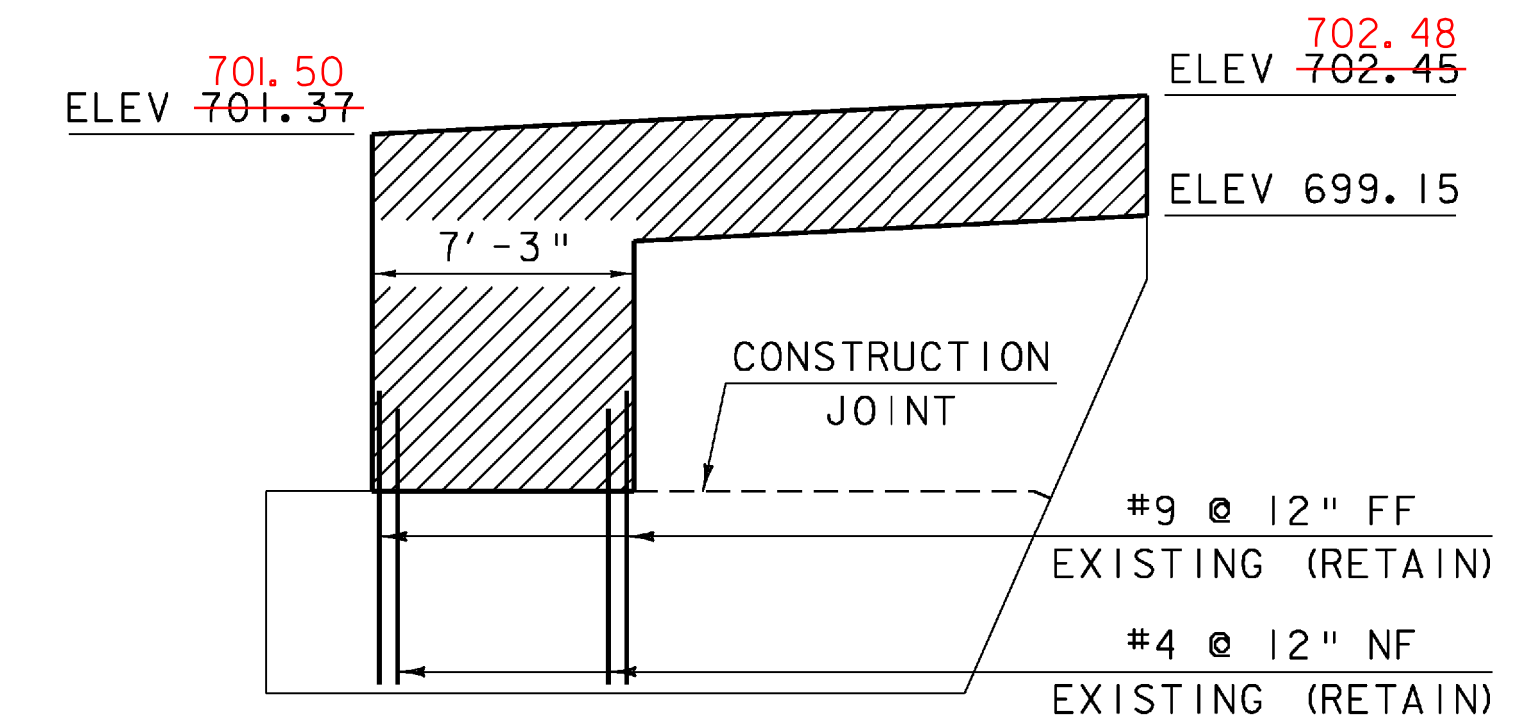


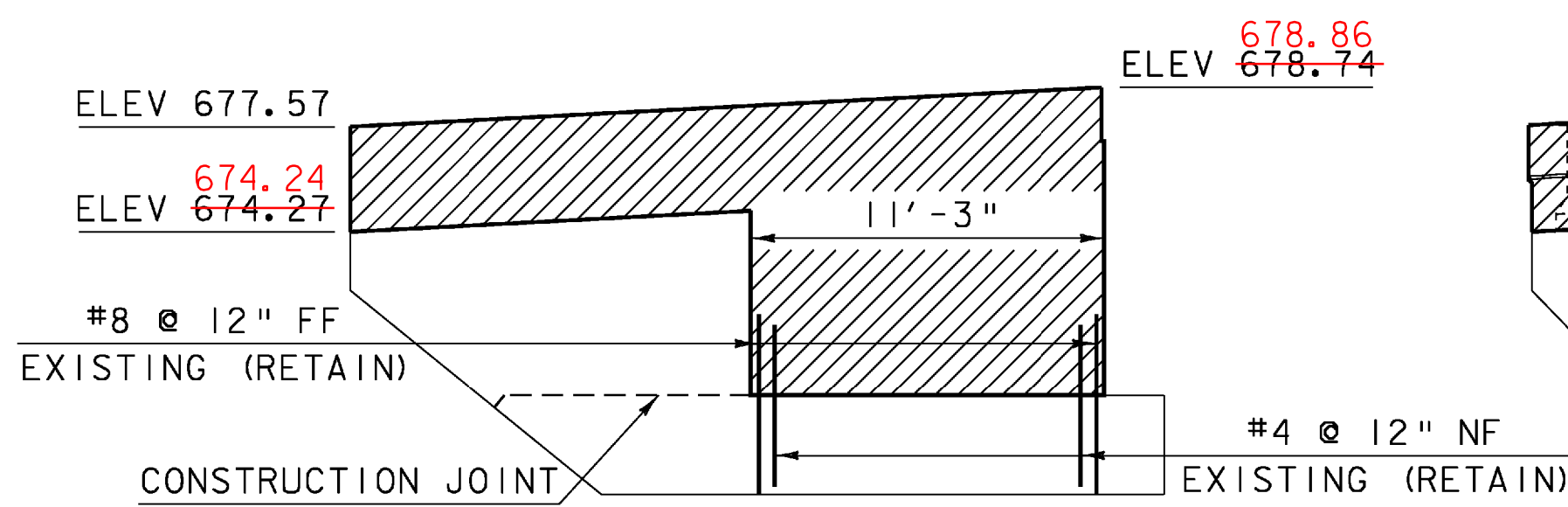
WINGWALL #2 CONCRETE REMOVAL LIMITS
ELEVATION VIEW



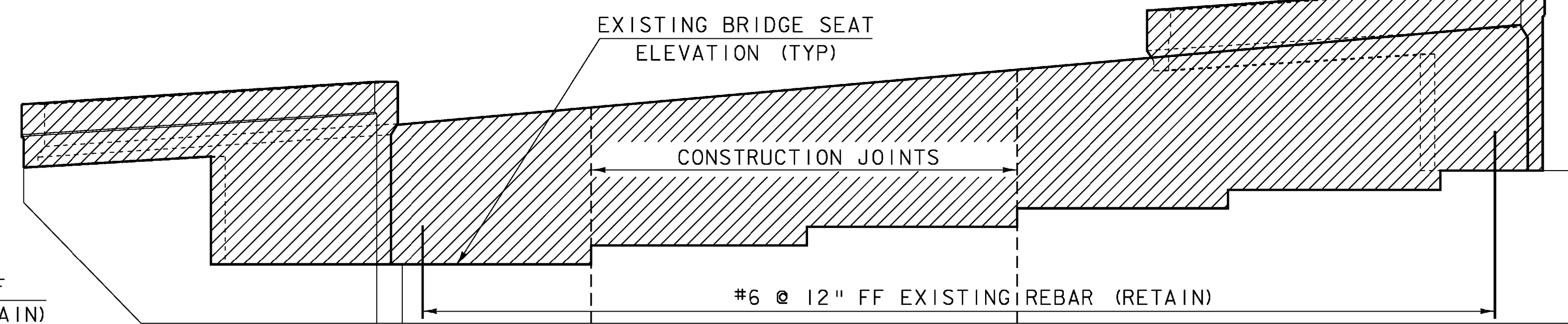
ABUTMENT #1 CONCRETE REMOVAL LIMITS
ELEVATION VIEW



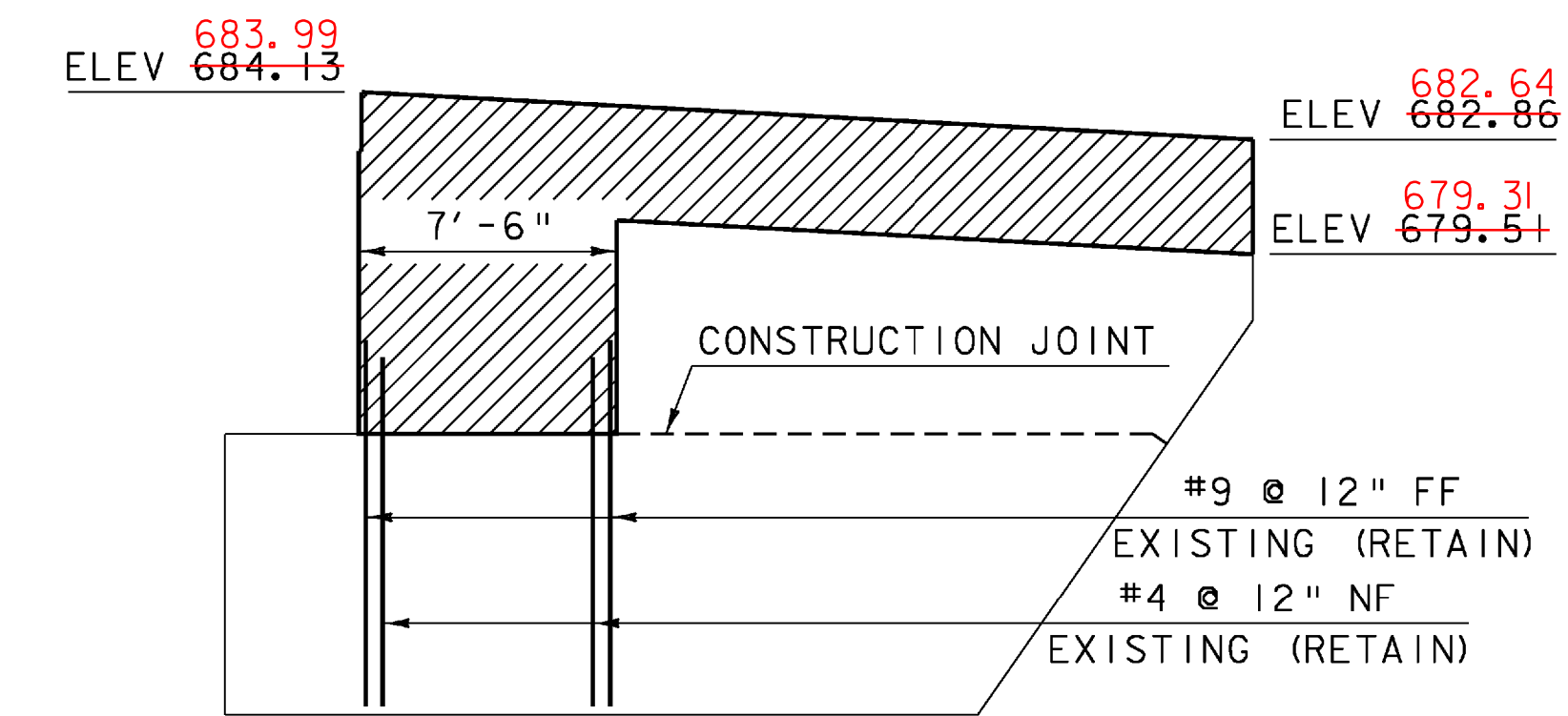
WINGWALL #1 CONCRETE REMOVAL LIMITS
ELEVATION VIEW



WINGWALL #3 CONCRETE REMOVAL LIMITS
ELEVATION VIEW



ABUTMENT #2 CONCRETE REMOVAL LIMITS
ELEVATION VIEW



WINGWALL #4 CONCRETE REMOVAL LIMITS
ELEVATION VIEW

NOTE:
ALL EXISTING CONCRETE SHALL BE REMOVED BY MEANS OF SAWCUTTING.
SEE SHEET 55 FOR SECTION DETAILS

PROJECT: BERLIN	PROJECT NO. : IM 089-1 (20)
DESIGN FILE NAME: s99a270\structures\s99a270abut.dgn	
IPARM FILE NAME: s99a270abut12rem.iPLOT DATE: 05-DEC-2007	
DESIGNED BY: G. SPILAK	DRAWN BY: WEEBER
SQUAD LEADER: C.P. WILLIAMS	CHECKED BY: R. S. YOUNG
ABUTMENTS 1&2 REMOVAL LIMITS	SHEET: 53 OF 104