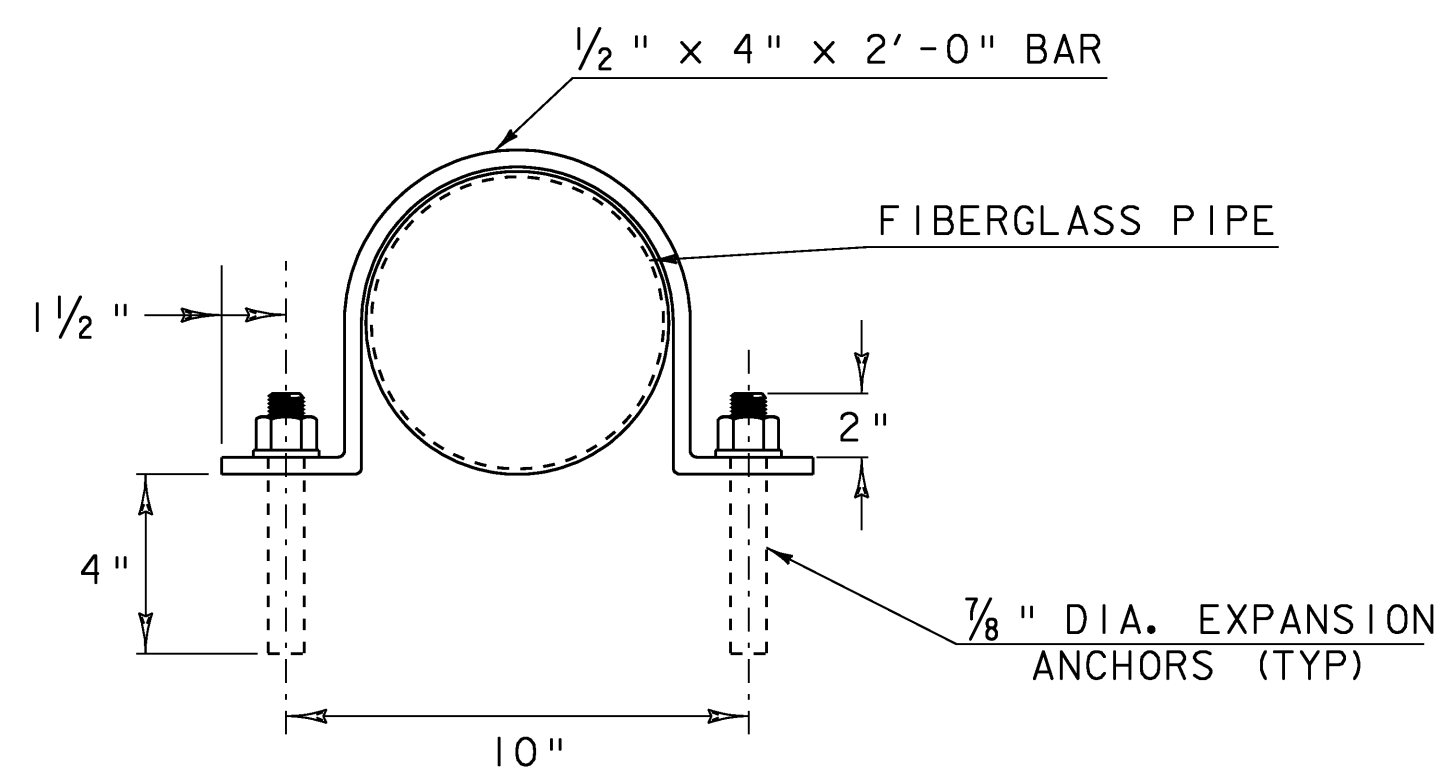
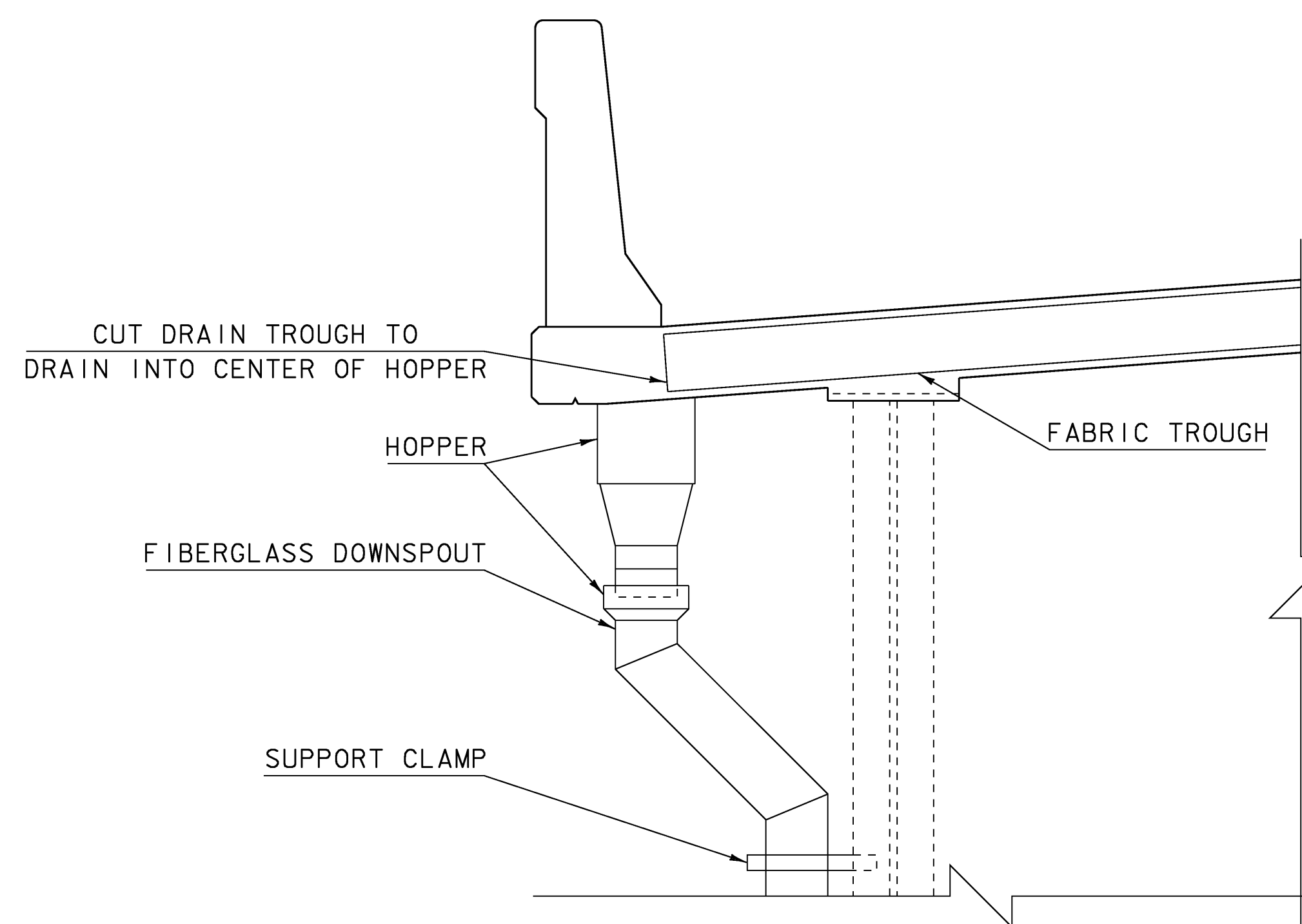


DRAINAGE SYSTEM NOTES

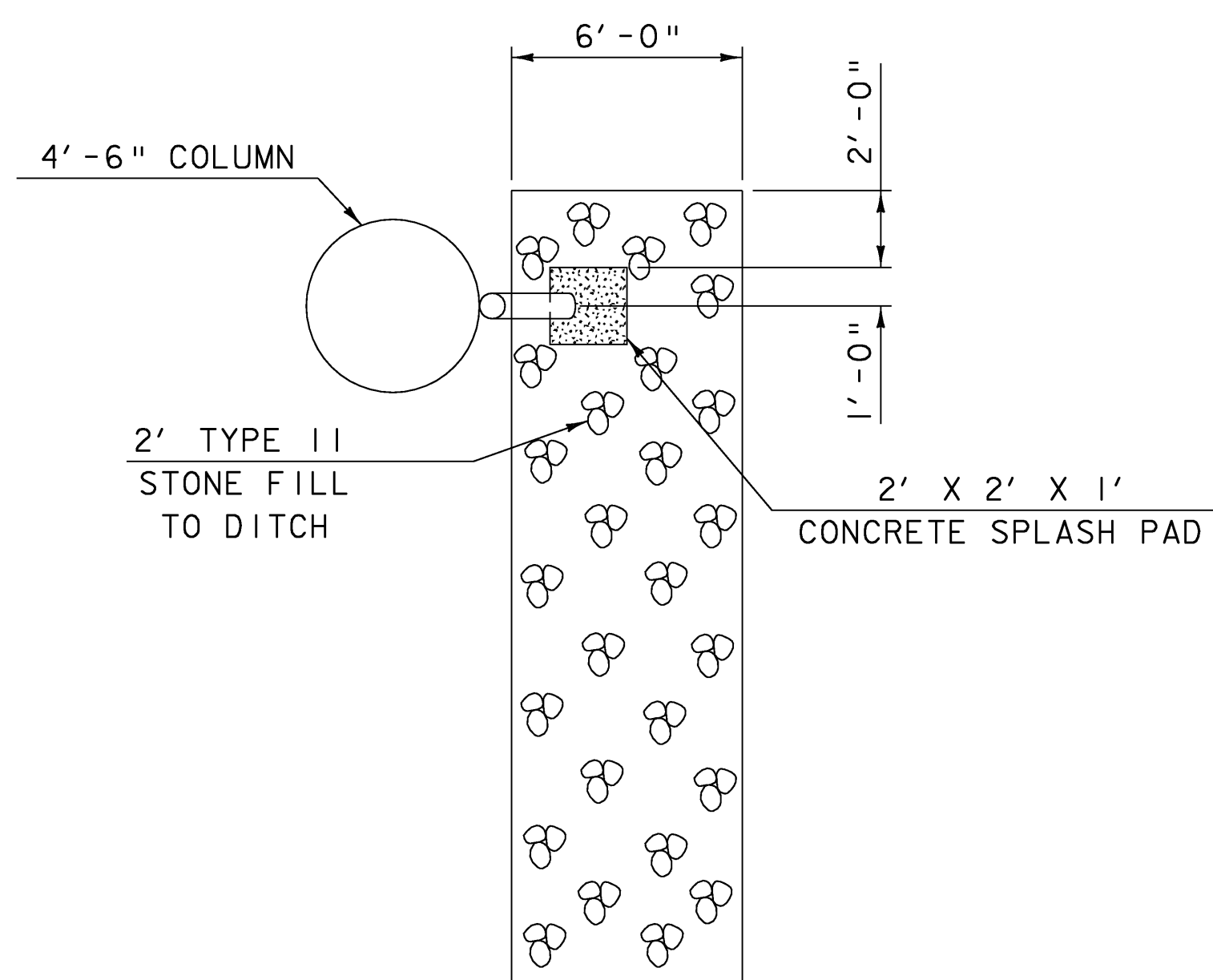
1. ALL PLATES, BARS, OR ANGLES USED FOR DOWNSPOUT ATTACHMENT SHALL CONFORM TO AASHTO M 270M/M 270, GRADE 36 AND SHALL BE GALVANIZED PER AASHTO M 111M/M 111.
2. ALL BOLTS AND RELATED HARDWARE SHALL BE ASTM A307 AND SHALL BE GALVANIZED IN ACCORDANCE WITH AASHTO M 232M/M 232.
3. REMOVAL AND REPLACEMENT OF THE DRAINAGE SYSTEM SHALL BE PAID FOR UNDER ITEM 900.640 "SPECIAL PROVISION (BRIDGE FIBERGLASS DRAIN SYSTEM)." SEE SPECIAL PROVISIONS FOR MORE INFORMATION.
4. THE STONE FILL CHANNEL SHALL BE CONSTRUCTED LIKE RIPRAP OUTLET PROTECTION EXAMPLE (SEE EPSC DETAIL SHEET 2). PAYMENT FOR THE STONE FILL SHALL BE UNDER THE ITEM 613.11, "STONE FILL, TYPE 11." PAYMENT FOR THE CONCRETE PAD SHALL BE UNDER ITEM 501.34, "CONCRETE, HIGH PERFORMANCE CLASS B". PAYMENT FOR GEOTEXTILE SHALL BE UNDER ITEM 649.31, "GEOTEXTILE UNDER STONE FILL". PAYMENT FOR EXCAVATION SHALL BE INCLUDED UNDER ITEM 203.15 "COMMON EXCAVATION".
5. THE INSTALLATION OF THE FIBERGLASS PIPE SHALL OCCUR AFTER THE EXPANSION JOINT HAS BEEN SET, AND ANCHORED IN PLACE.



DETAILS FOR ATTACHING DOWNSPOUT TO PIER

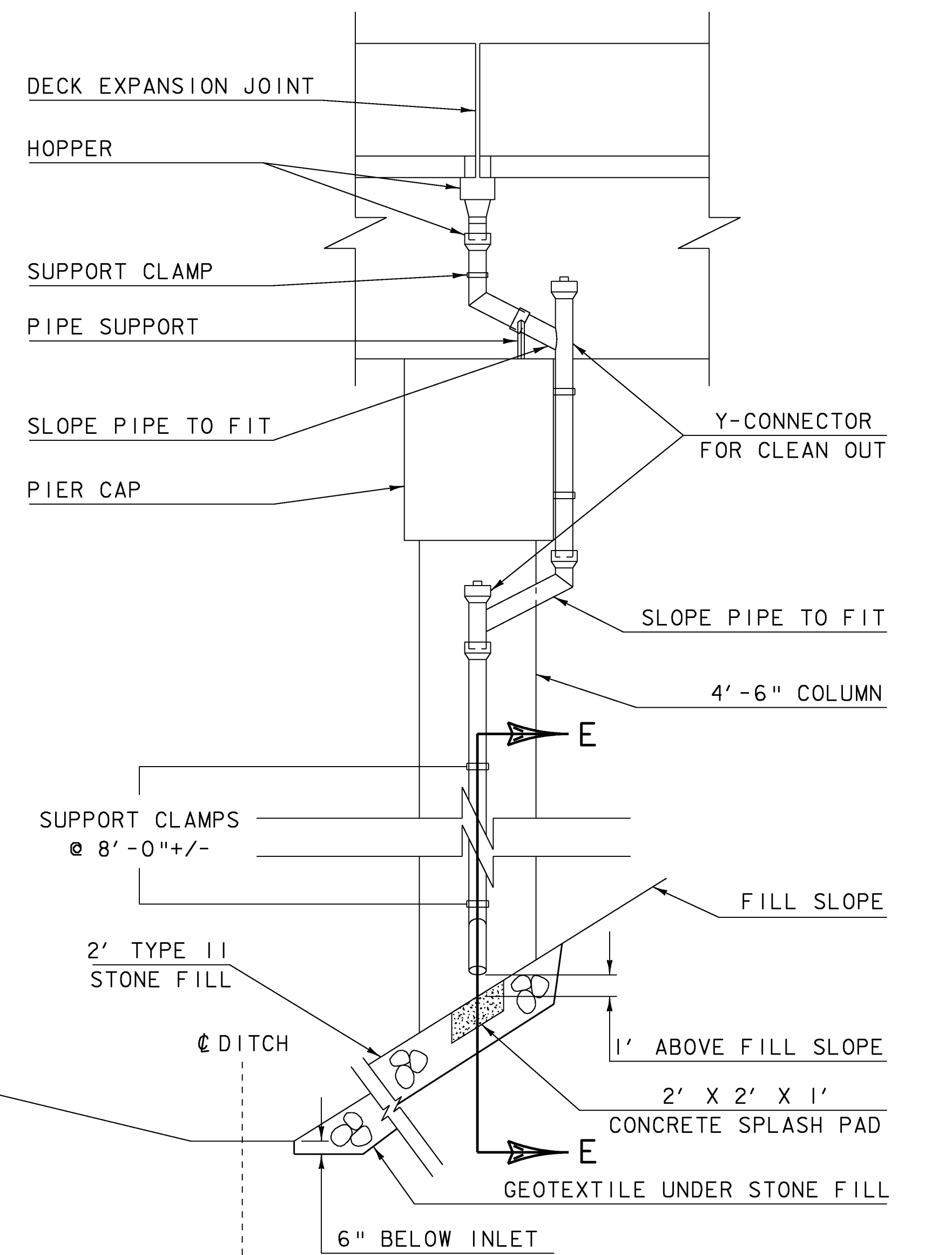


SECTION D-D W/ DRAINAGE SYSTEM
(SEE PIER #1 EXPANSION JOINT DETAIL, SHEET 48)

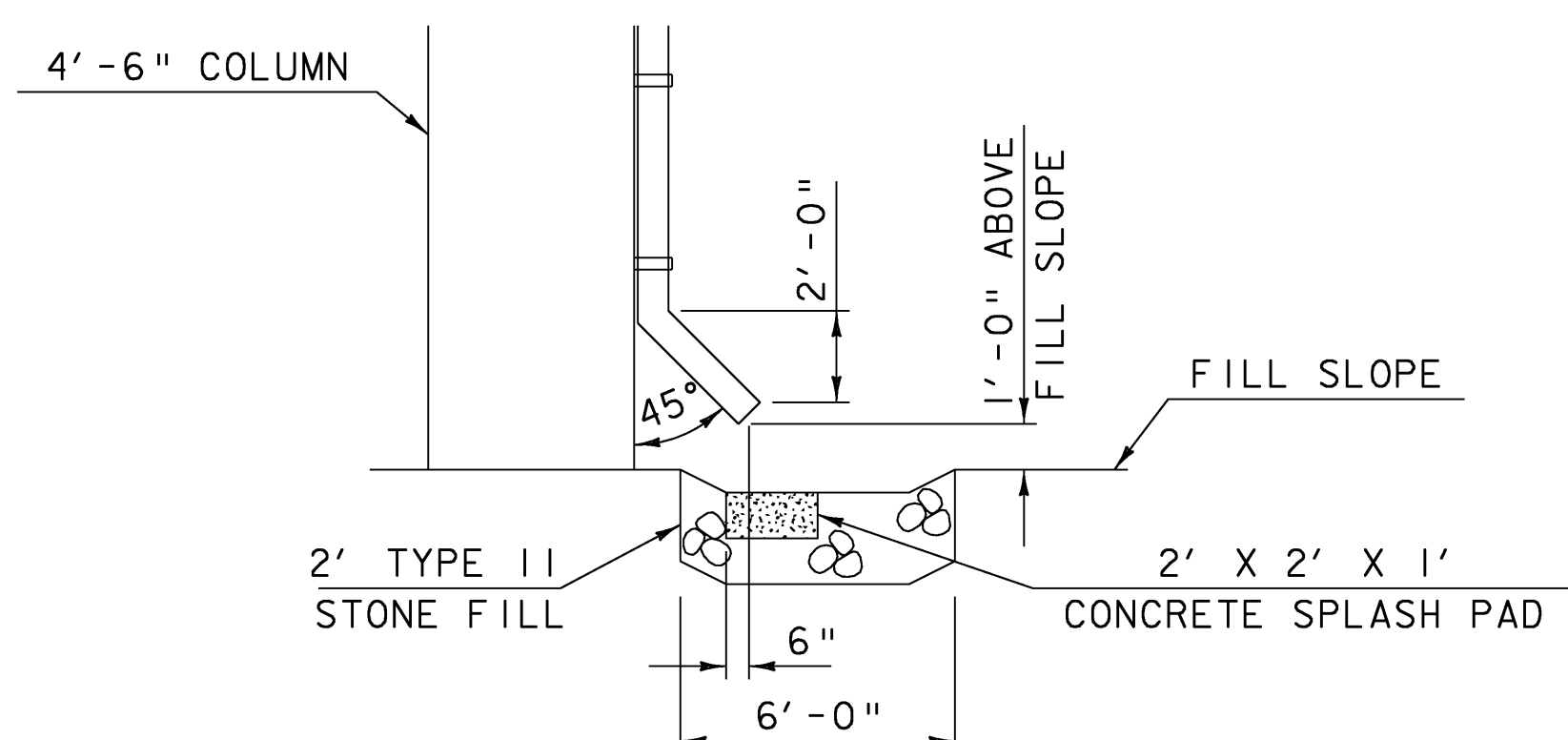


PLAN OF PIER DRAINAGE
N. T. S.

APPROX. EDGE OF PAVEMENT VT 12



SECTION C-C W/ DRAINAGE SYSTEM
(SEE PIER #1 EXPANSION JOINT DETAIL, SHEET 48)
N. T. S.



SECTION E-E
N. T. S.

PROJECT: BERLIN	PROJECT NO.: IM 089-1 (20)
DESIGN FILE NAME: 99a270\structures\s99a270drain.dgn	PLOT DATE: 17-DEC-2007
IPARM FILE NAME: s00a270drain.i	DRAWN BY: C. MOONEY
DESIGNED BY: G. SPILAK	CHECKED BY: R. S. YOUNG
SQUAD LEADER: C. P. WILLIAMS	SHEET: 52 OF 104
DRAINAGE DETAILS	