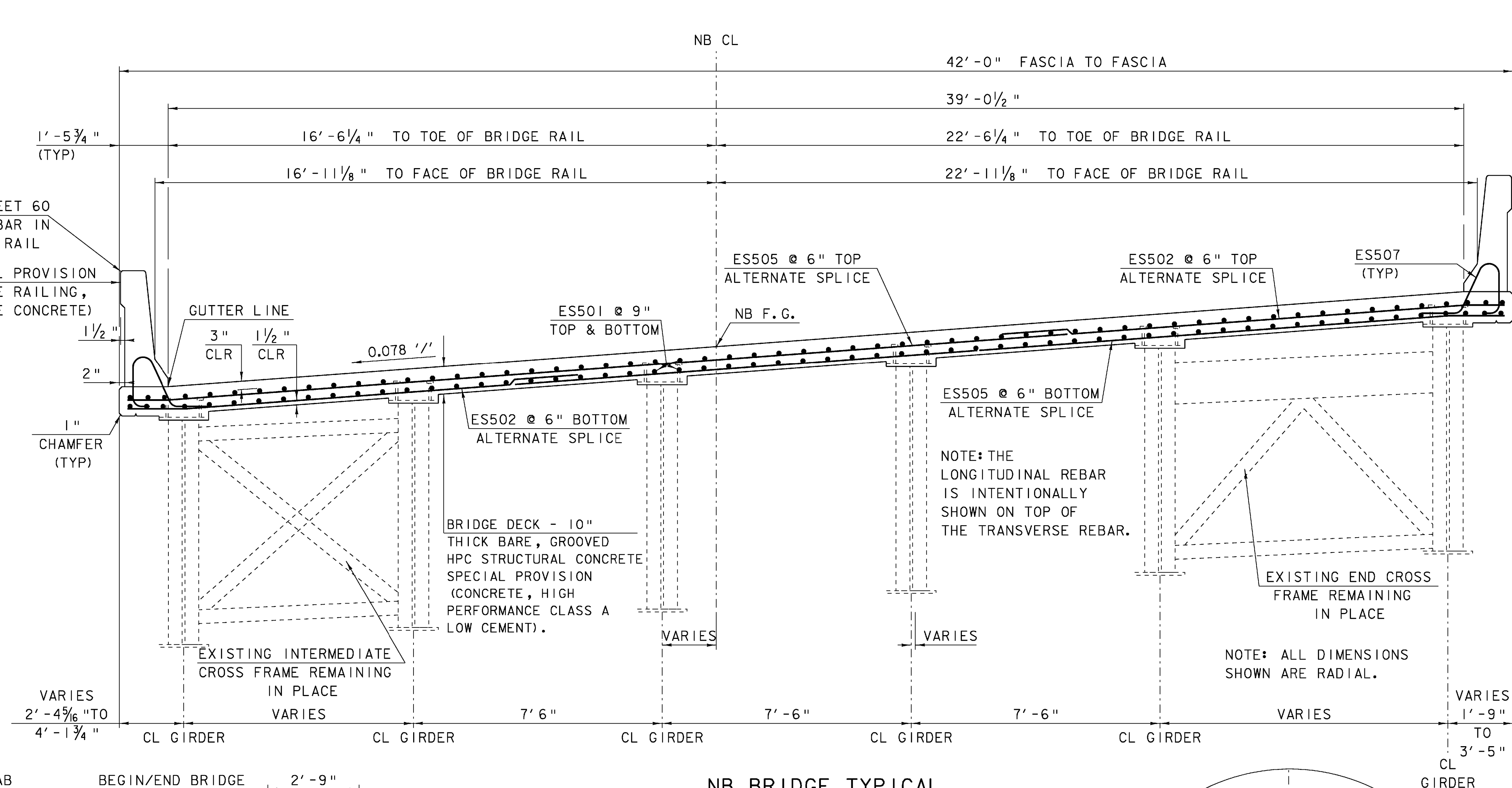


DELINEATOR NOTES

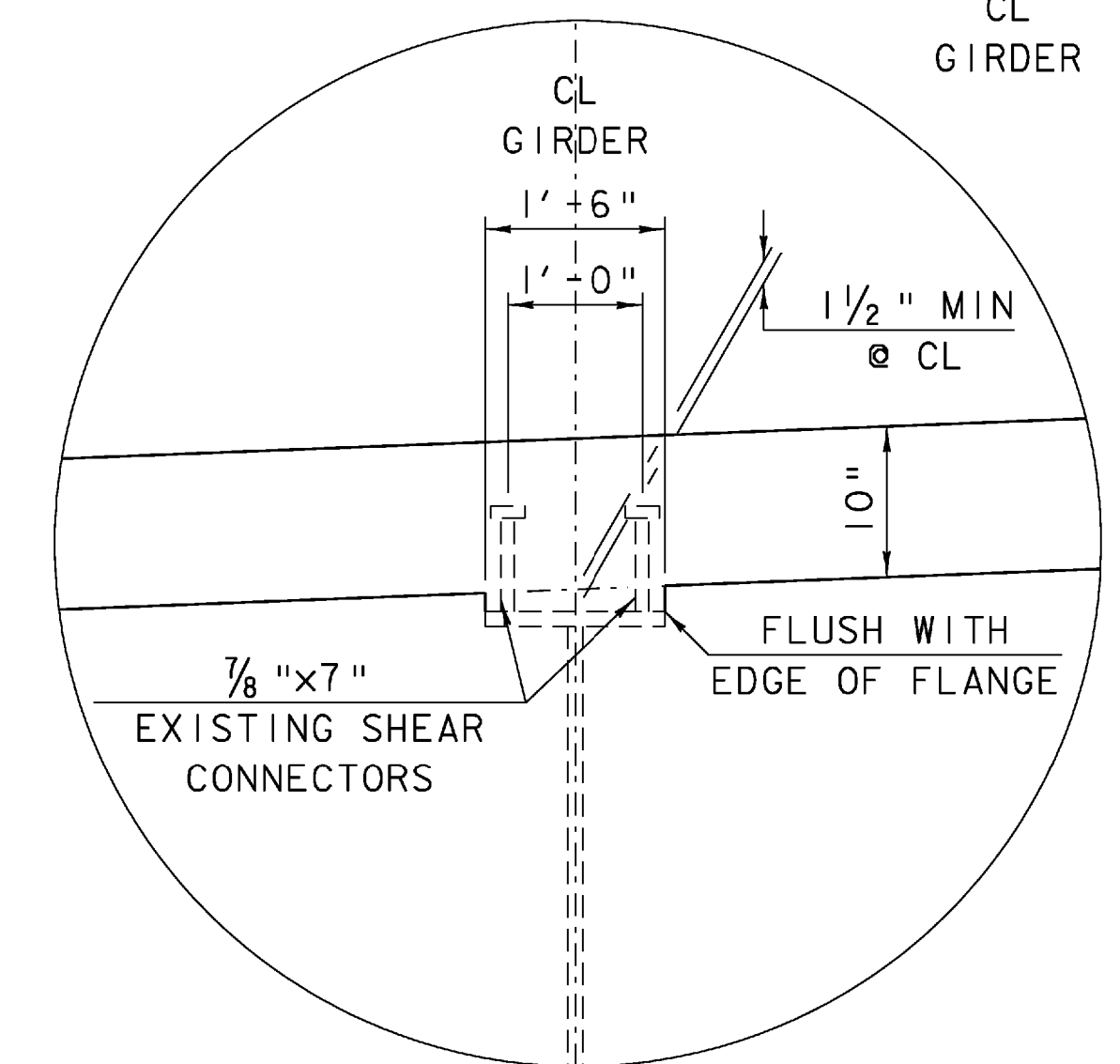
NTS

1. PAYMENT FOR DELINEATORS SHALL BE INCLUDED IN THE UNIT PRICE BID FOR ITEM #900.640 SPECIAL PROVISION, (BRIDGE RAILING, F-SHAPE CONCRETE).
2. DELINEATORS SHALL BE EVENLY SPACED ACROSS THE ENTIRE LENGTH OF BRIDGE RAILING BUT NOT WITHIN 2' OF ANY JOINT OPENING NOR A SPACING OF MORE THAN 30'.
3. DELINEATORS SHALL BE AMBER OR WHITE WITH AMBER ON THE MEDIAN SIDE.



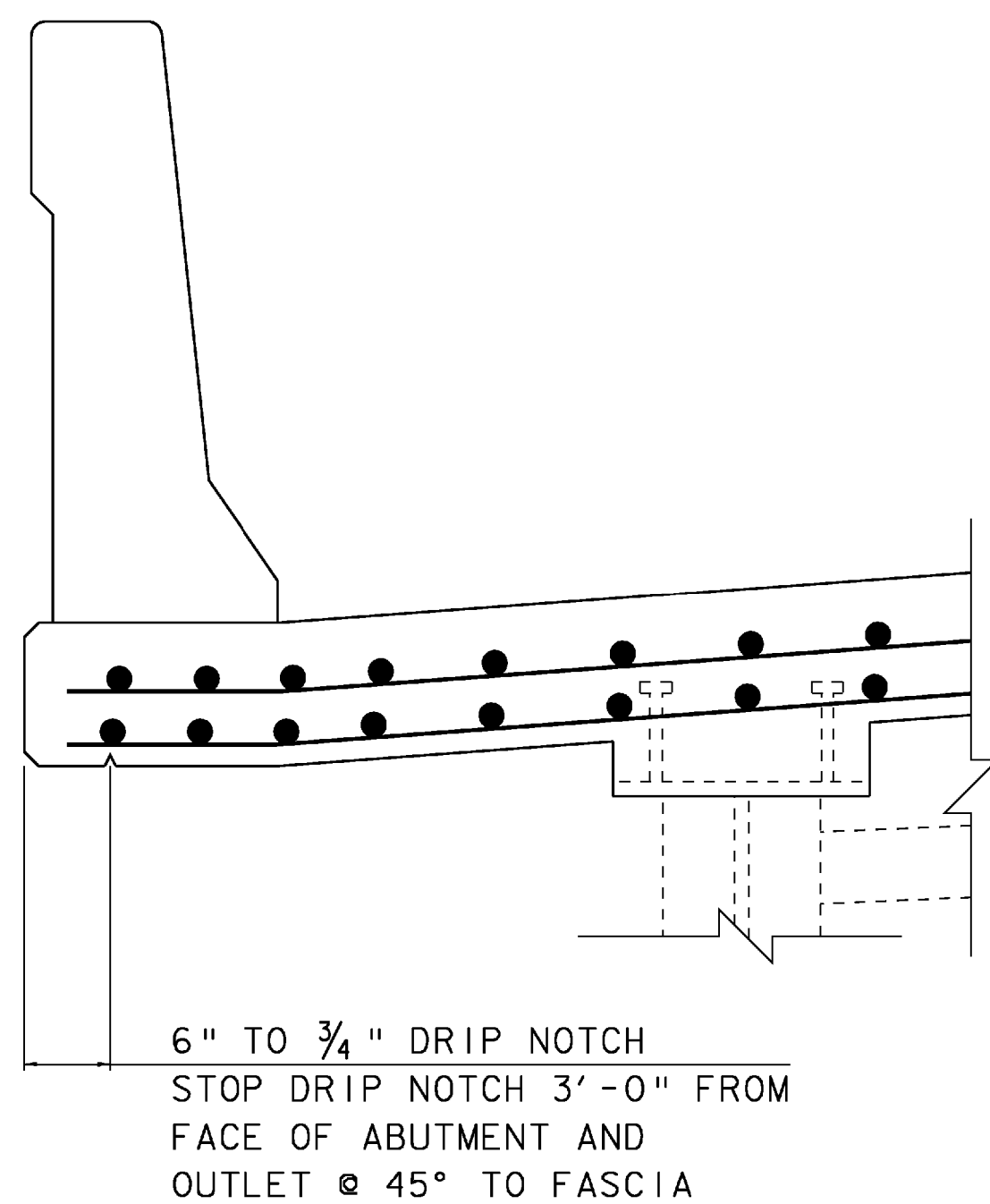
NB BRIDGE TYPICAL

SCALE: 1/2" = 1'-0"



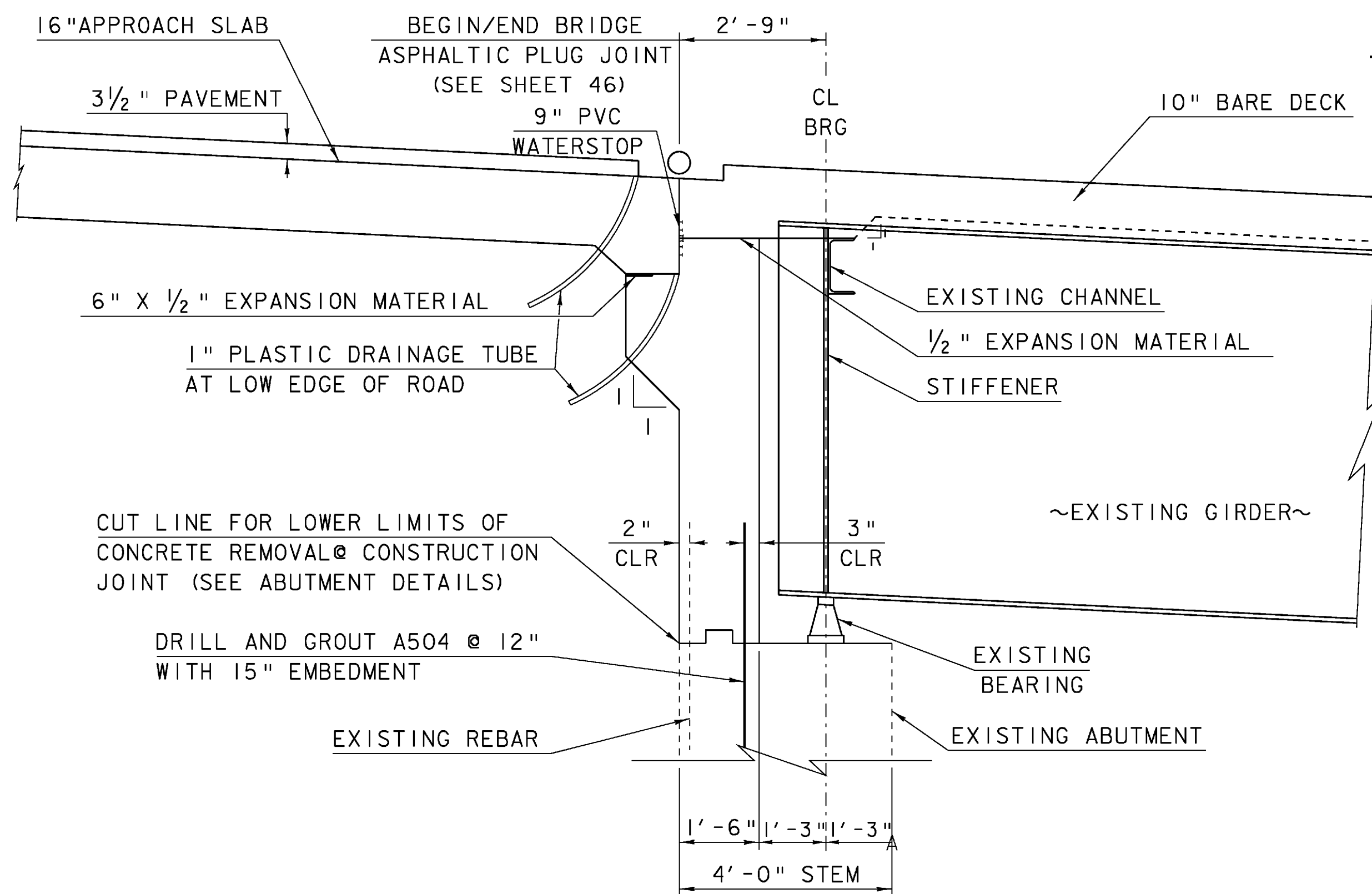
HAUNCH DETAIL

NTS
SEE NOTE 4 ON SHEET 10



DRIP NOTCH DETAIL

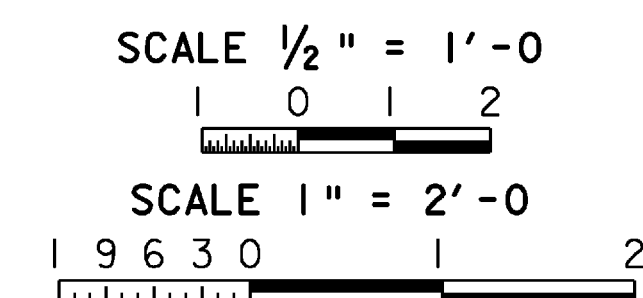
SCALE: 1"=2'-0"



END OF BRIDGE DETAIL

SCALE: 1"=2'-0"

NOTE:
1/2" EXPANSION MATERIAL, PVC WATERSTOP, PLASTIC DRAINAGE TUBE, AND BOND BREAKER SHALL BE INCIDENTAL TO ITEM #501.34 "CONCRETE, HIGH PERFORMANCE CLASS B".



PROJECT:	BERLIN	PROJECT NO.:	IM 089-1 (20)
DESIGN FILE NAME:	99a270\structures\99a270typ.dgn		
IPARM FILE NAME:	s00a270br idgetyp. iPLOT DATE: 05-DEC-2007		
DESIGNED BY:	G. SPILAK	DRAWN BY:	R. PELLETT
SQUAD LEADER:	C. P. WILLIAMS	CHECKED BY:	R. S. YOUNG
BRIDGE TYPICAL SECTION		SHEET:	43 OF 104