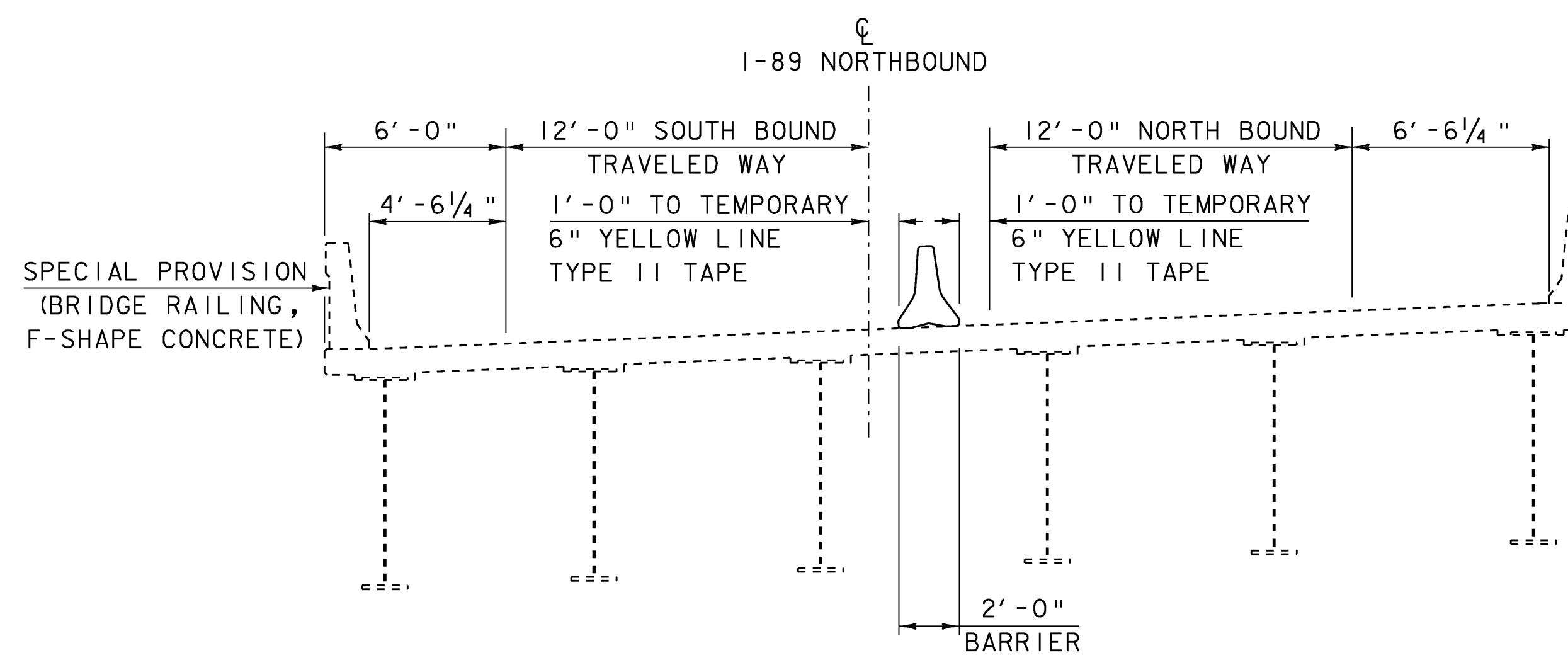
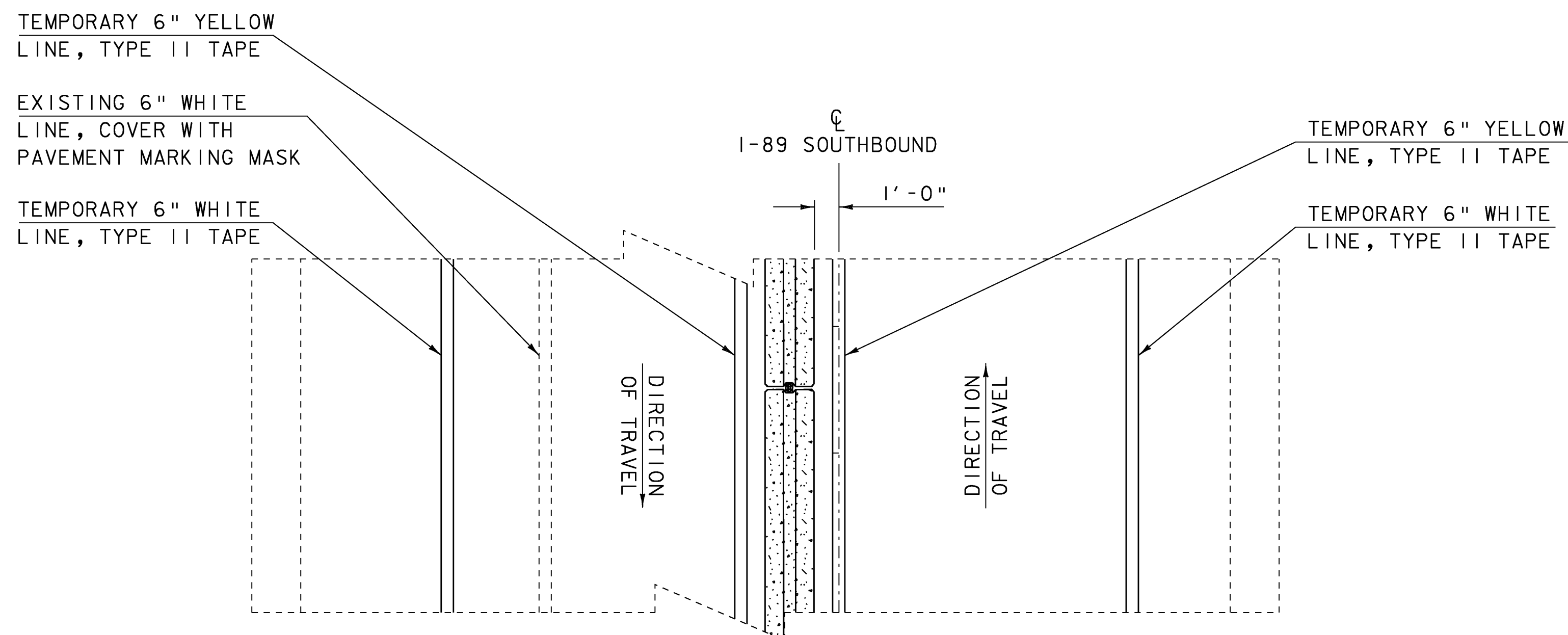


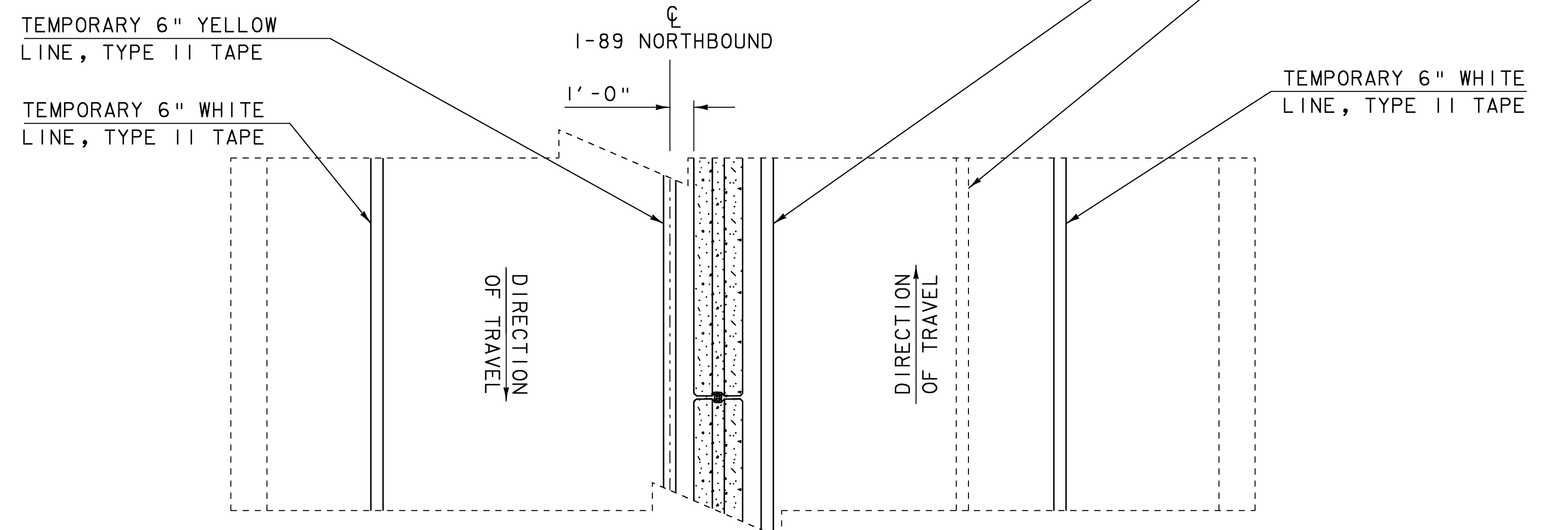
PHASE I TYPICAL SECTION  
 I-89 BRIDGE 40 SB (NORTHBOUND CLOSED)  
 SCALE 1/4" = 1'-0"



PHASE II TYPICAL SECTION  
 I-89 BRIDGE 40 NB (SOUTHBOUND CLOSED)  
 SCALE 1/4" = 1'-0"



PHASE I PLAN  
 I-89 BRIDGE 40 SB (NORTHBOUND CLOSED)  
 SCALE 1/4" = 1'-0"



PHASE II PLAN  
 I-89 BRIDGE 40 NB (SOUTHBOUND CLOSED)  
 SCALE 1/4" = 1'-0"

KEY	
---	EXISTING
—	NEW

SCALE 1/4" = 1'-0"  
 0 2 4 6

PROJECT: BERLIN	PROJECT NO.: IM 089-1 (20)
DESIGN FILE NAME: 99a270\structures\s99a270trafnote.dgn	IPARM FILE NAME: s99a270traf typ.i PLOT DATE: 05-DEC-2007
DESIGNED BY: K.M.HIGGINS	DRAWN BY: D.D.BEARD
SQUAD LEADER: C.P.WILLIAMS	CHECKED BY: R.S.YOUNG
BRIDGE TRAFFIC CONTROL DETAILS	SHEET: 25 OF 104