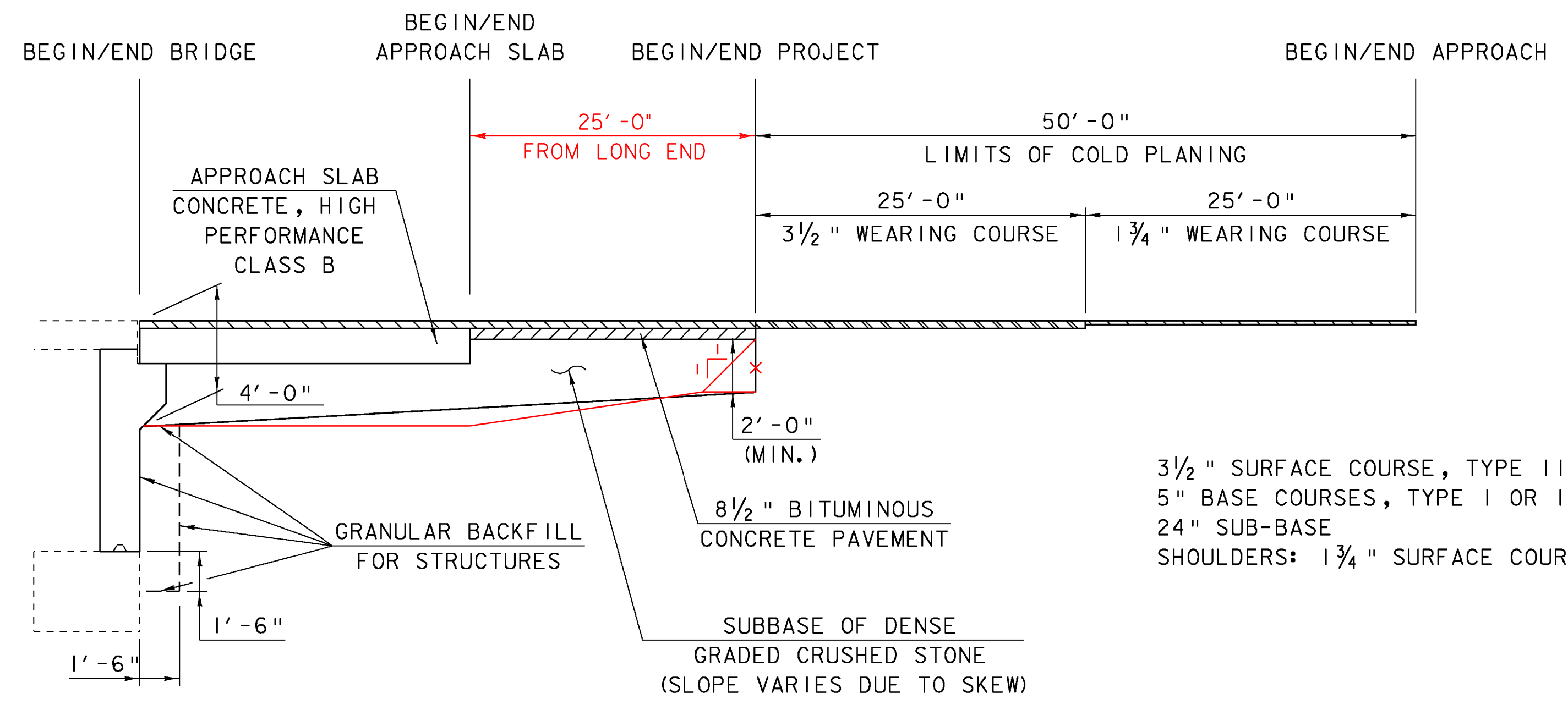


* CUT LINE INDICATES THE LIMIT OF PARTIAL REMOVAL OF STRUCTURE SEE SHEETS 53 AND 54

WINGWALL TYPICAL EXCAVATION & FILL LIMITS

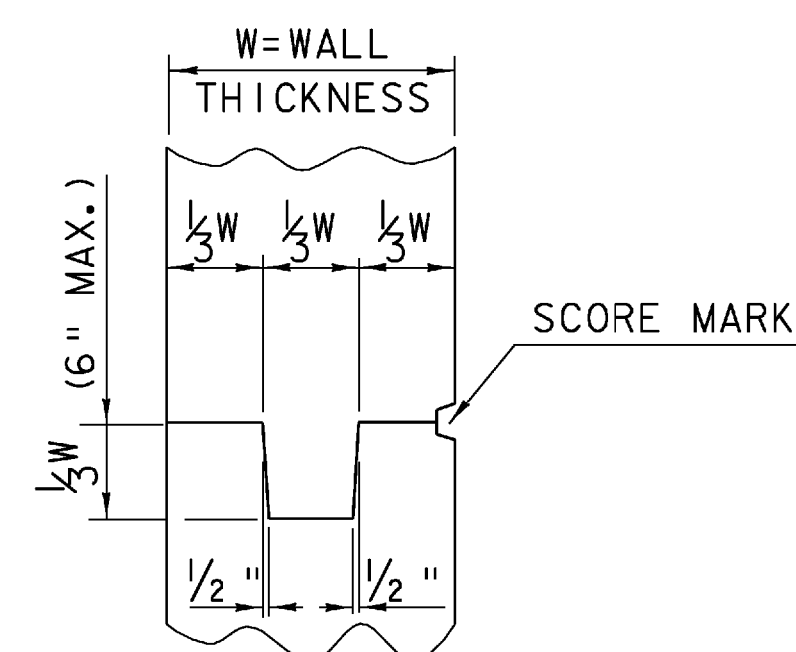
SCALE 1/4" = 1'-0"
 1 0 2 4 6



3 1/2" SURFACE COURSE, TYPE III
 5" BASE COURSES, TYPE I OR II
 24" SUB-BASE
 SHOULDERS: 1 3/4" SURFACE COURSE, TYPE III

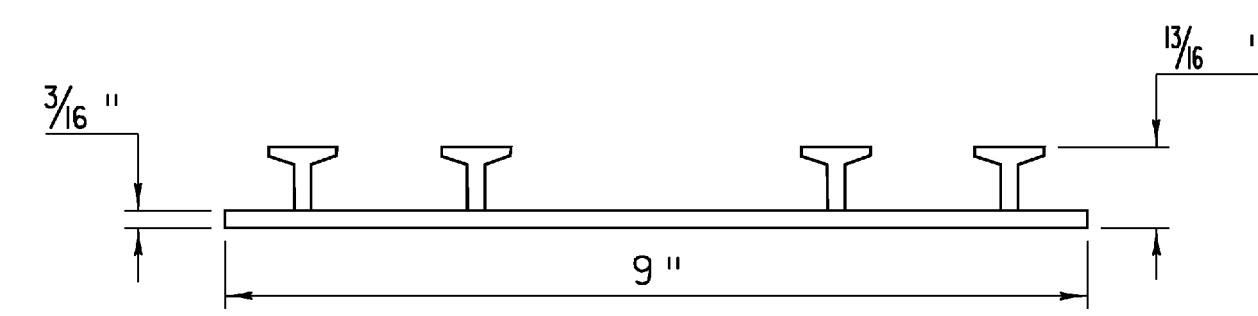
SUBBASE TAPER AND BACKWALL FILL LIMITS

N. T. S.



TYPICAL CONCRETE CONSTRUCTION JOINT

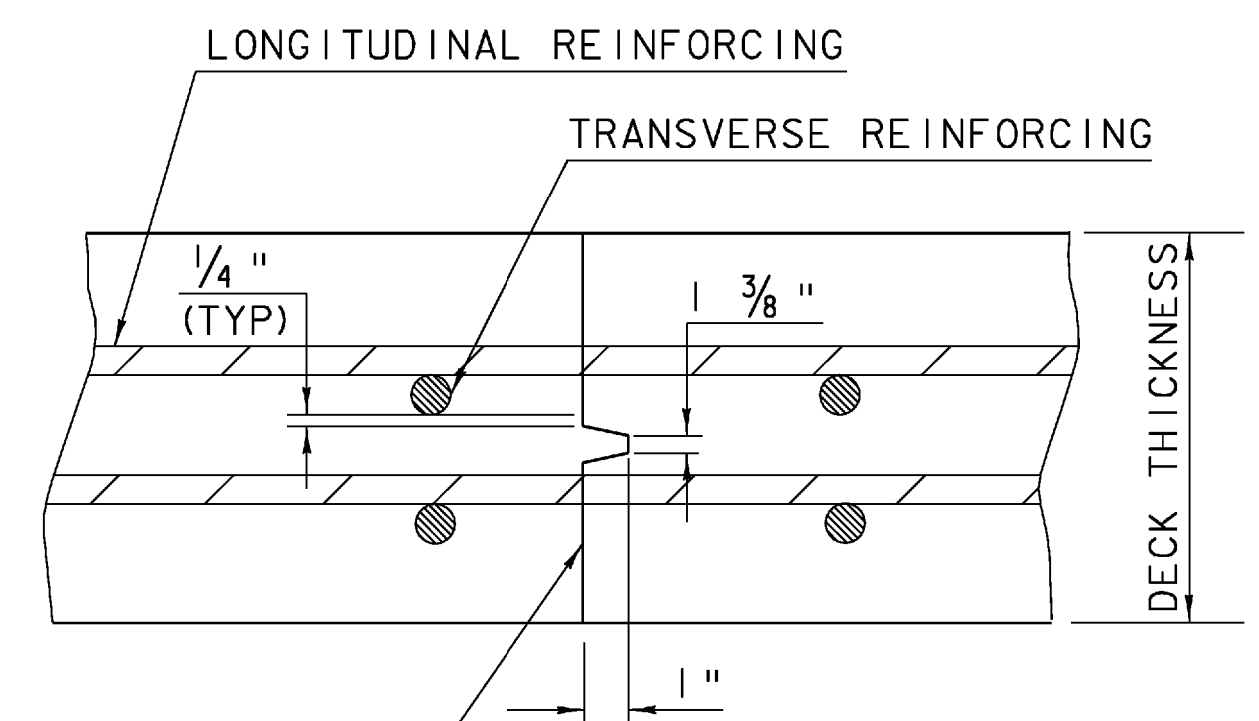
N. T. S.



P. V. C. WATERSTOP FOR CONSTRUCTION JOINTS

N. T. S.

THE COSTS FOR P.V.C. WATERSTOP SHALL BE INCLUDED IN THE UNIT PRICE BID FOR ITEM 501.34 CONCRETE, HIGH PERFORMANCE CLASS B. OTHER CONFIGURATIONS MAY BE USED UPON APPROVAL OF THE STRUCTURES ENGINEER.



APPLY EPOXY BONDING COMPOUND BEFORE PLACING NEW CONCRETE. INCLUDE WITH COST BID FOR ITEM 501.34 CONCRETE, HIGH PERFORMANCE CLASS B.

TRANSVERSE BRIDGE DECK CONSTRUCTION JOINT DETAILS

N. T. S.

PROJECT:	BERLIN	PROJECT NO.:	IM 089-1 (20)
DESIGN FILE NAME: 99a270\structures\99a270miscdet.dgn			
IPARM FILE NAME: s00a270paylimits.iPLOT DATE: 05-DEC-2007			
DESIGNED BY:	G. SPILAK	DRAWN BY:	C. MOONEY
SQUAD LEADER:	C. P. WILLIAMS	CHECKED BY:	R. S. YOUNG
PAYLIMITS AND SUBBASE TAPER		SHEET: 8 OF 104	