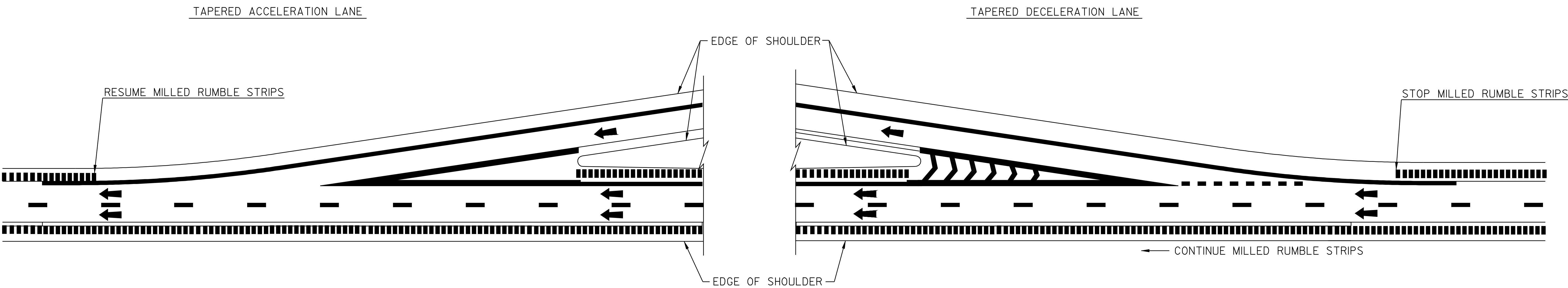
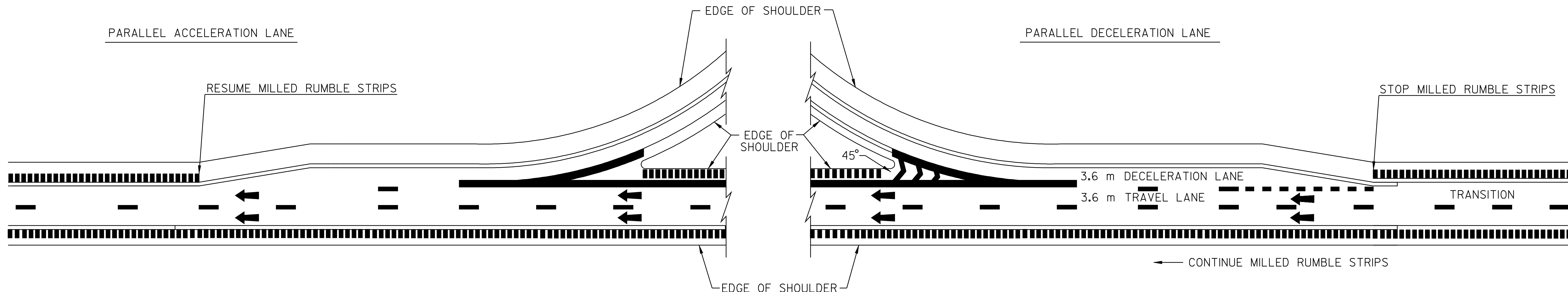


TYPICAL MILLING AT INTERCHANGES & REST AREAS



NOTE:
 1. THIS TYPICAL MAY BE MODIFIED AT THE DISCRETION OF THE RESIDENT ENGINEER IF ACTUAL FIELD CONDITIONS NECESSITATE SUCH ACTIONS.

DATUM	
VERTICAL	N/A
HORIZONTAL	N/A

LEGEND
 ← DIRECTION OF TRAFFIC FLOW
 ■■■■■ MILLED RUMBLE STRIPS

**ARCHIVED
 IN DPR**

MILLED RUMBLE STRIP DETAIL SHEET #1

DESIGNED BY	_____	DATE	2-01
DRAWN BY	_____	DATE	2-01
DESIGN FILE NO.	/pave/99a204/pa204.dgn		
PRF FILE	pa204rs01.l	DATE PLOTTED	08-APR-2008 15:4
PROJ. NAME	LYNDON - BARTON		
PROJ. NO.	IM 091 - 3(10)		
SHEET	14	OF	17 SHEETS