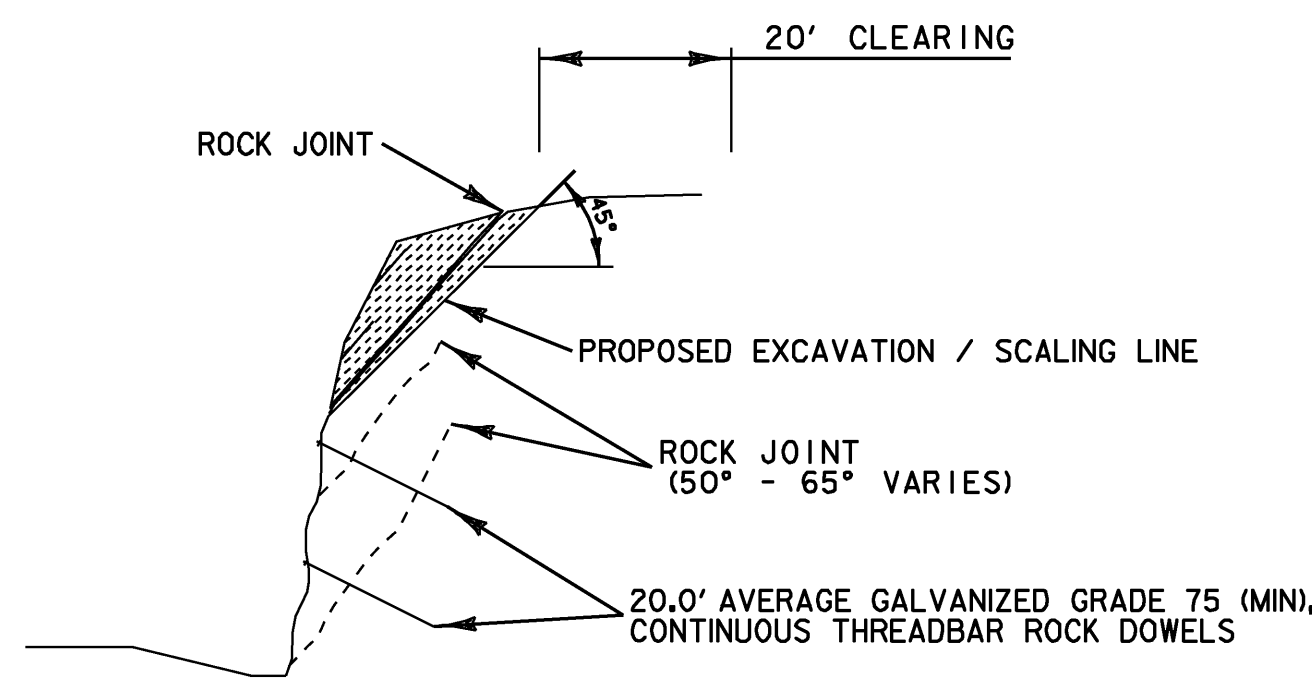
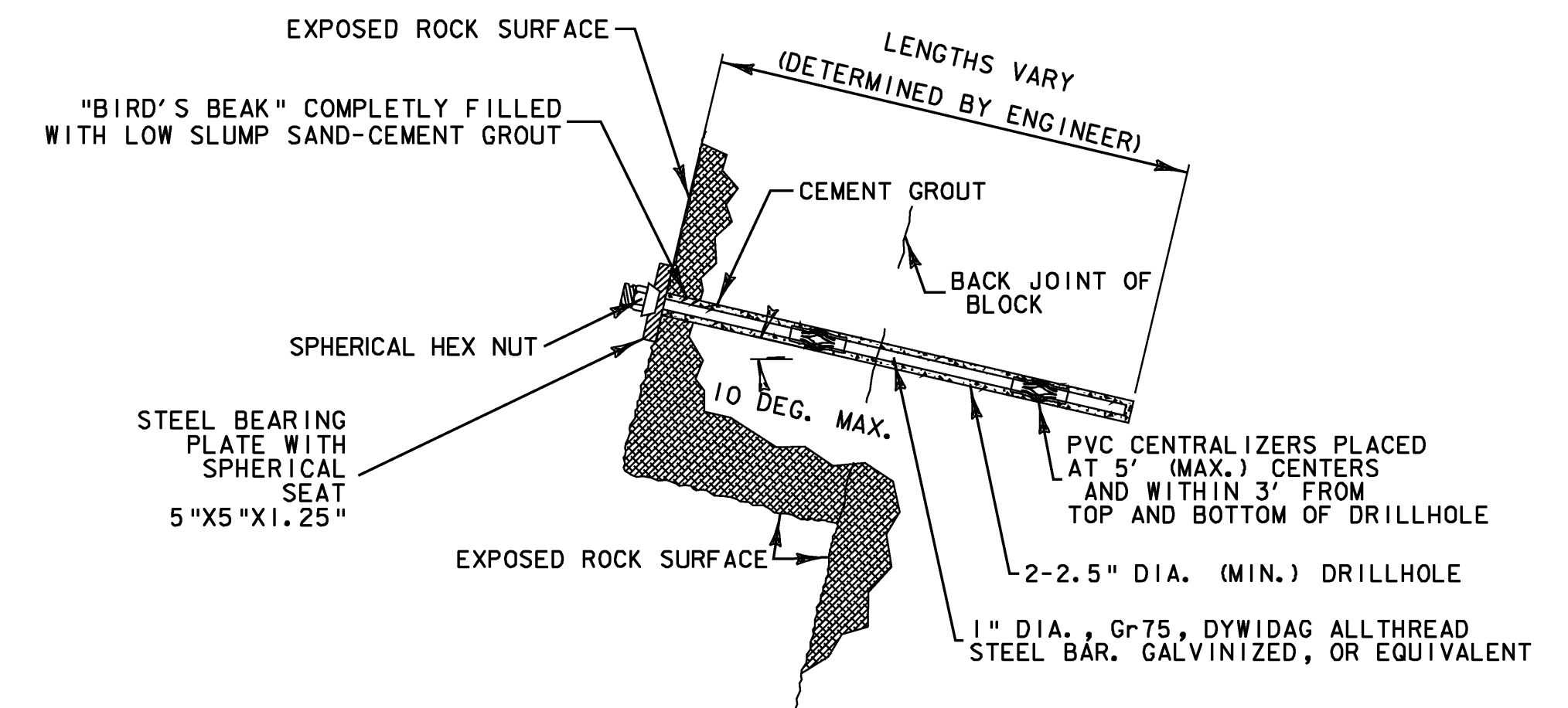


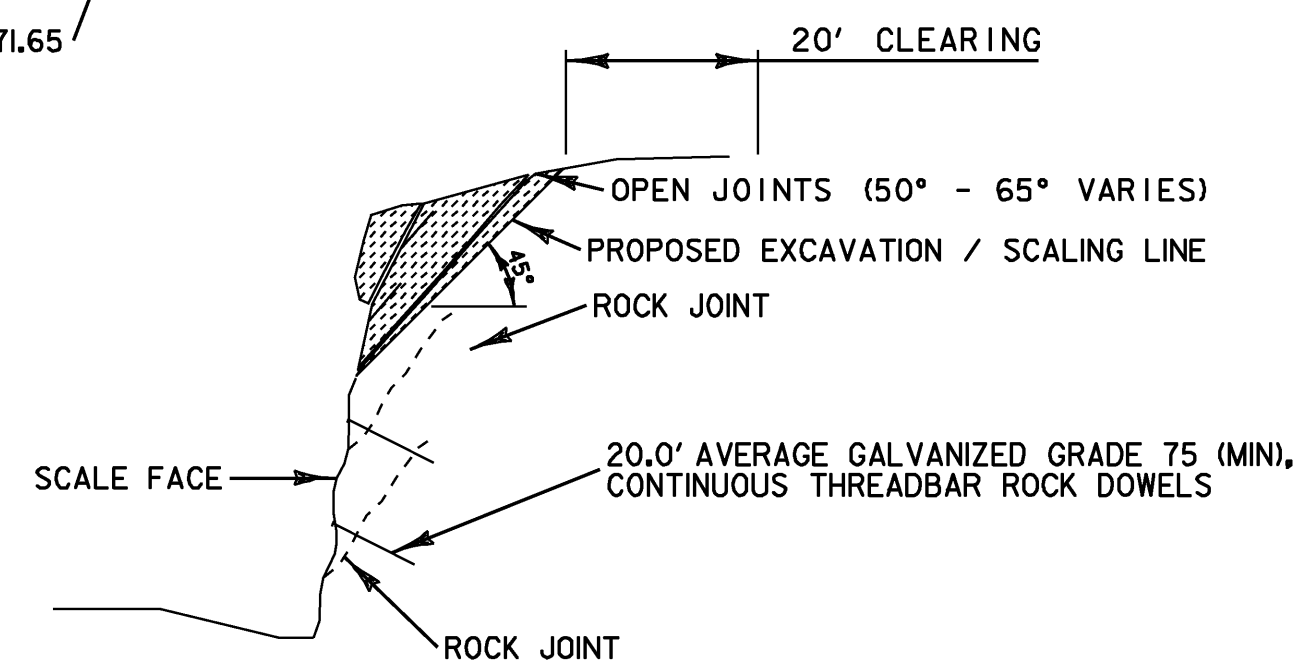
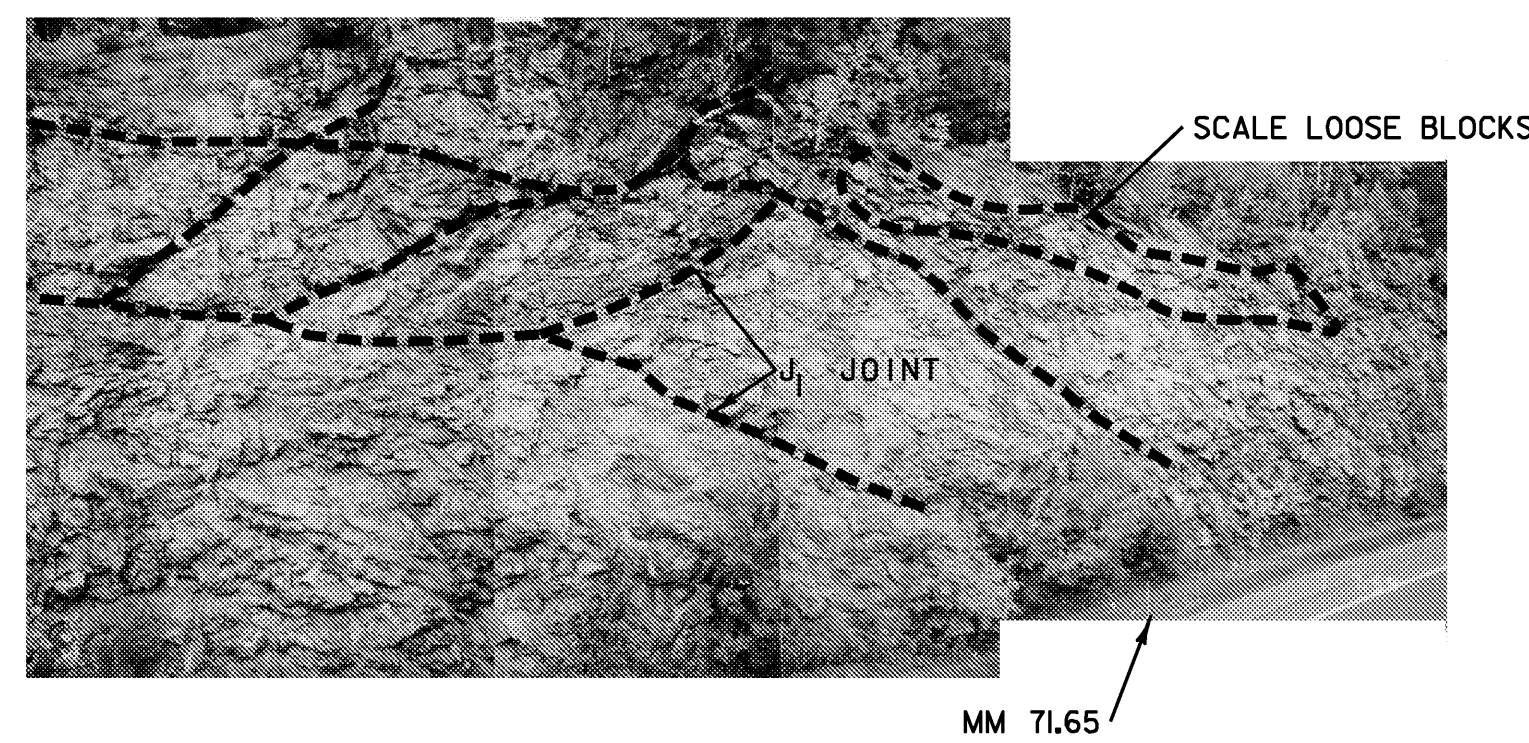
B SCHEMATIC - CROSS SECTION



A SCHEMATIC - CROSS SECTION



TYPICAL ROCK DOWEL DETAIL



C SCHEMATIC - CROSS SECTION

LEGEND

ROCK TO BE EXCAVATED

ROCK SLOPE REPAIR NOTE

I. THE WORK CONSISTS OF HIGH SCALING, TRIM BLASTING AND MACHINE SCALING OF LOOSE & JOINTED ROCK FROM THE FACE AND CREST OF THE SLOPE WITH INSTALLATION OF ROCK DOWELS. THE WORK SHALL BE COMPLETED AS DIRECTED BY THE VAOT GEOLOGIST AND THE ENGINEER.

NOT TO SCALE

NOTE: PHOTOS SHALL BE USED AS A VISUAL REFERENCE ONLY. ACTUAL WORK REQUIREMENTS MAY BE MODIFIED BY VAOT GEOLOGIST AND/OR THE ENGINEER.

ROCK SLOPE REPAIRS
NORTHBOUND OUTSIDE
MM 71.55 TO MM 71.70

TYPICAL #II

PROJECT NAME:	HARTFORD - NEWBURY	
PROJECT NUMBER:	IM 091 - 2(72)	
FILE NAME:	d99a052_ttypicals.dgn	PLOT DATE: 21-JUL-2009
PROJECT LEADER:	K. UPMAL	DRAWN BY: N. PAPPAS
DESIGNED BY:	N. PAPPAS	CHECKED BY: A. BOMBARDIER
IPARM FILE NAME:	d99a052_typ_II	SHEET 21 OF 45