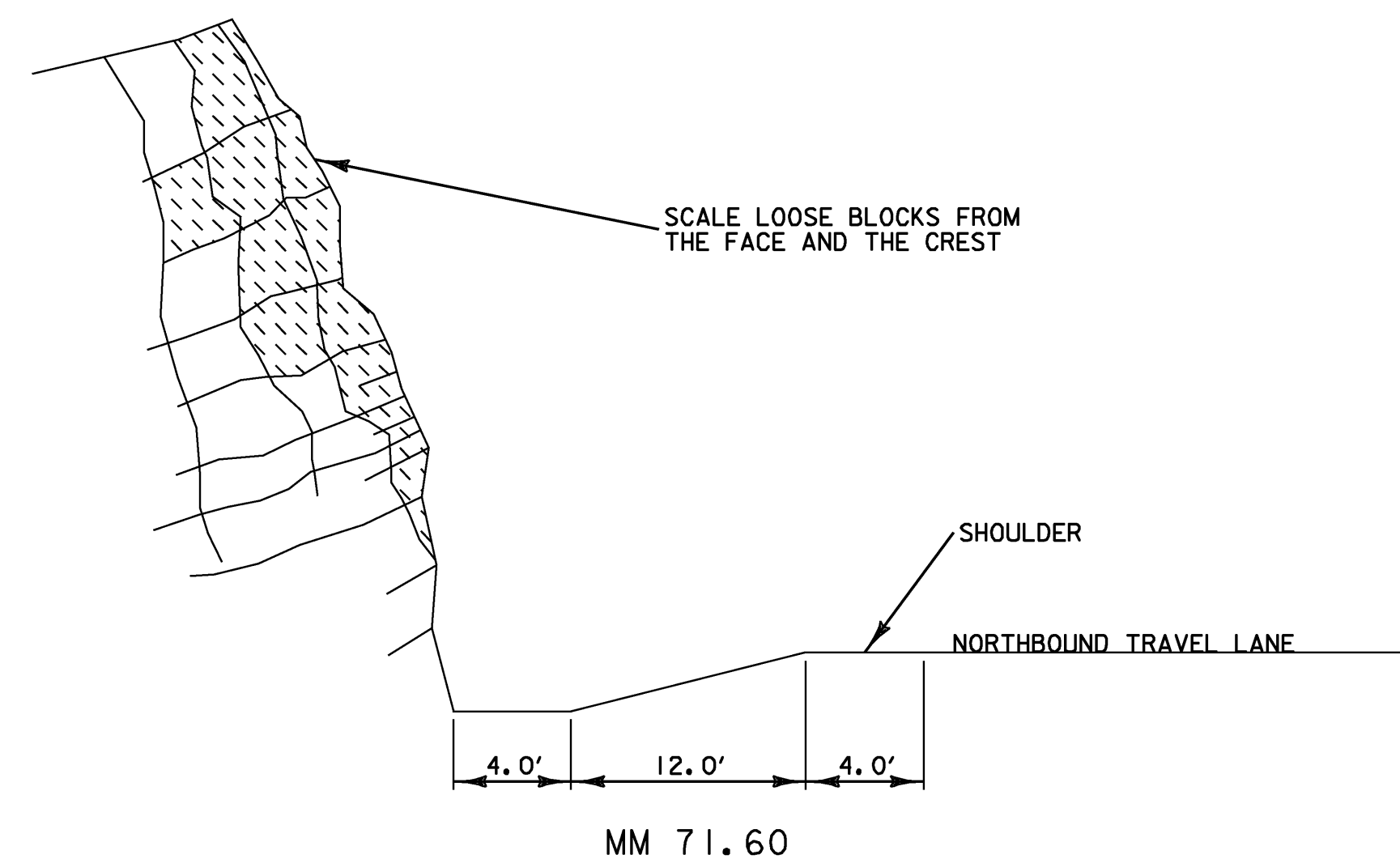
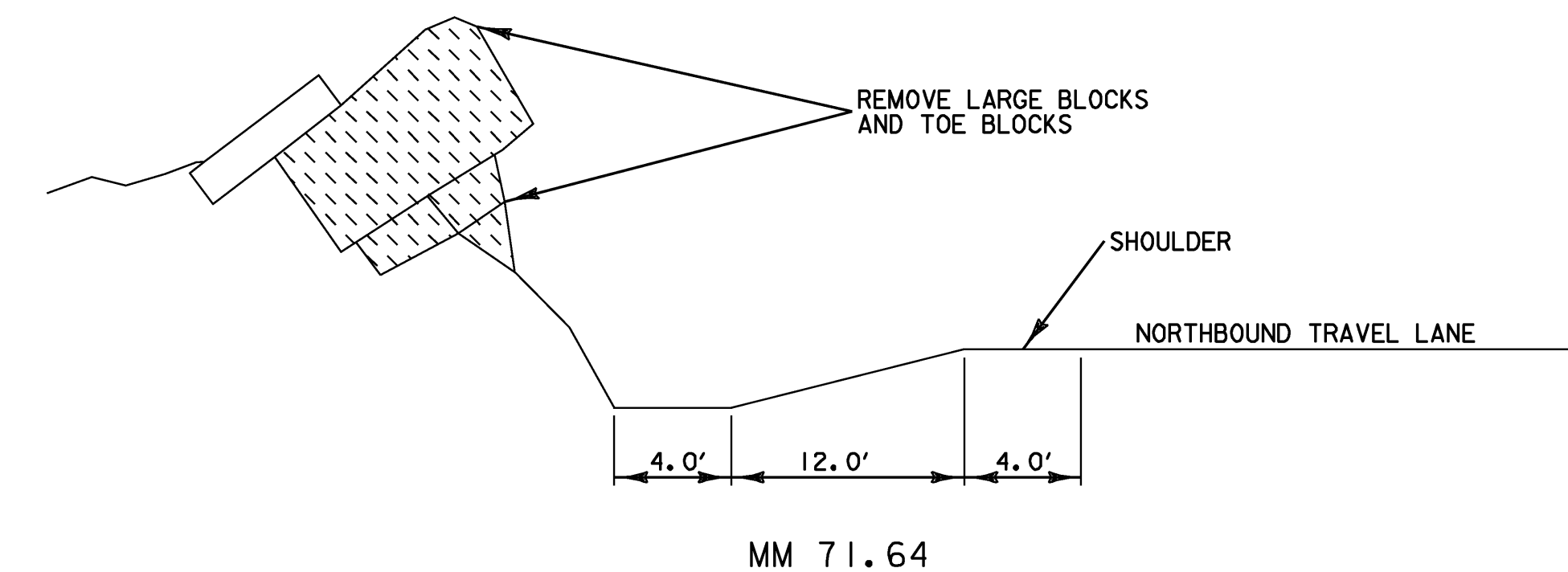


A
10 SCHEMATIC - CROSS SECTION



B
10 SCHEMATIC - CROSS SECTION



C
10 SCHEMATIC - CROSS SECTION

LEGEND

 ROCK TO BE EXCAVATED

ROCK SLOPE REPAIR NOTE
1. THE WORK CONSISTS OF MACHINE SCALING LOOSE ROCKS FROM THE CREST AND FACE OF THE MEDIAN SLOPE AS DIRECTED BY THE VAOT GEOLOGIST AND THE ENGINEER.

NOT TO SCALE

NOTE: PHOTOS SHALL BE USED AS A VISUAL REFERENCE ONLY. ACTUAL WORK REQUIREMENTS MAY BE MODIFIED BY VAOT GEOLOGIST AND/OR THE ENGINEER.

ROCK SLOPE REPAIRS
NORTHBOUND MEDIAN
MM 71.55 TO MM 71.65

TYPICAL #10

PROJECT NAME:	HARTFORD - NEWBURY		
PROJECT NUMBER:	IM 091 - 2(72)		
FILE NAME:	d99a052_typicals.dgn	PLOT DATE:	21-JUL-2009
PROJECT LEADER:	K. UPMAL	DRAWN BY:	N. PAPPAS
DESIGNED BY:	N. PAPPAS	CHECKED BY:	A. BOMBARDIER
IPARM FILE NAME:	d99a052_typ_10	SHEET	20 OF 45