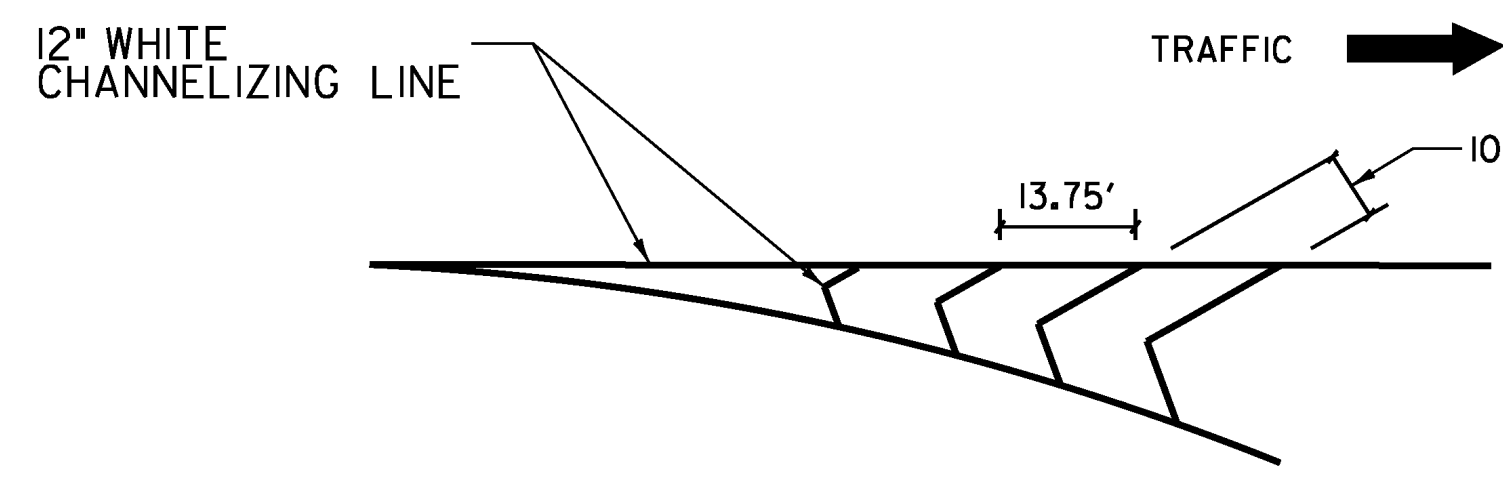


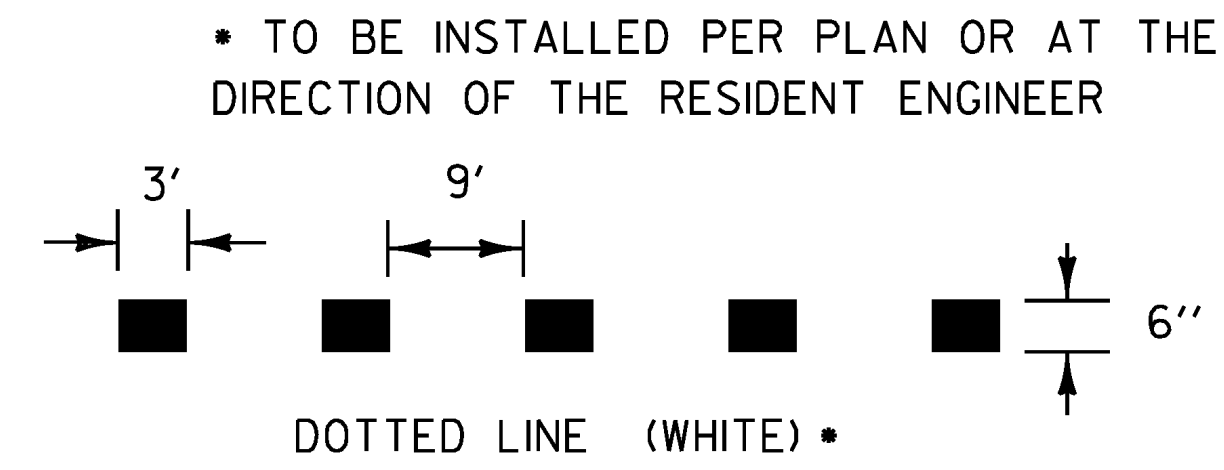
**WRONG WAY ARROW**



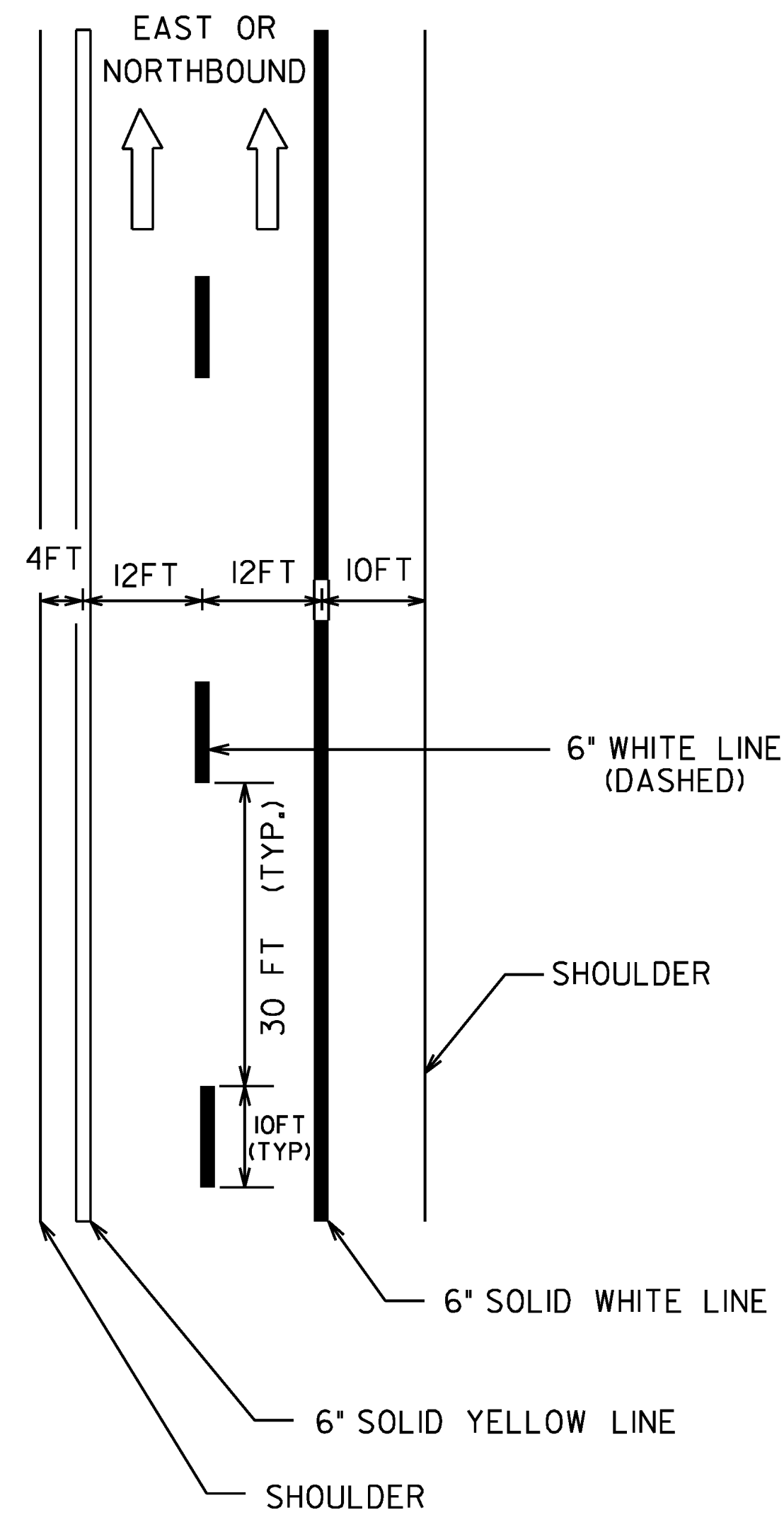
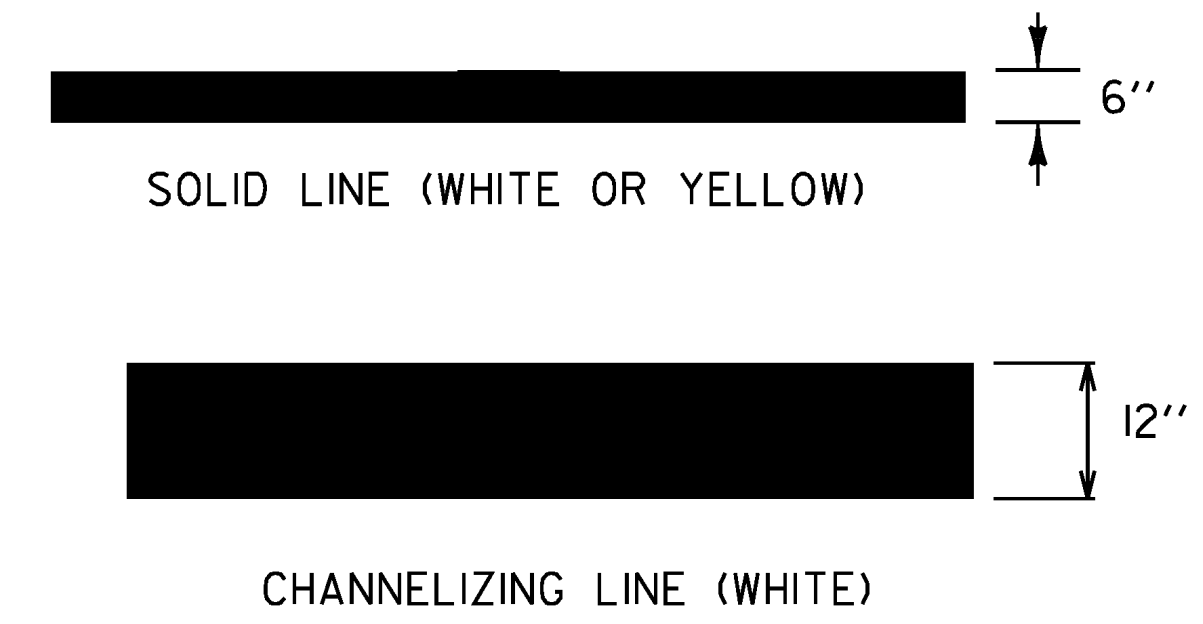
**GORE MARKING DETAIL**



**STOP BAR DETAIL**



**PAVEMENT MARKING LINE DETAILS**



**TYPICAL MAINLINE MARKING PLAN**

**DETAILS NOT TO SCALE**

<b>DETAIL SHEET</b>	PROJECT NAME: SHARON - ROYALTON	PLOT DATE: 8/6/2010
	PROJECT NUMBER: IM 089-1(58)	DRAWN BY: SJL
	FILE NAME: 97A184.dgn	CHECKED BY: EPD
	PROJECT LEADER: CDL	SHEET 61 OF 62
	DESIGNED BY: SJL	
	PLOT FILE: 97A184.plt	