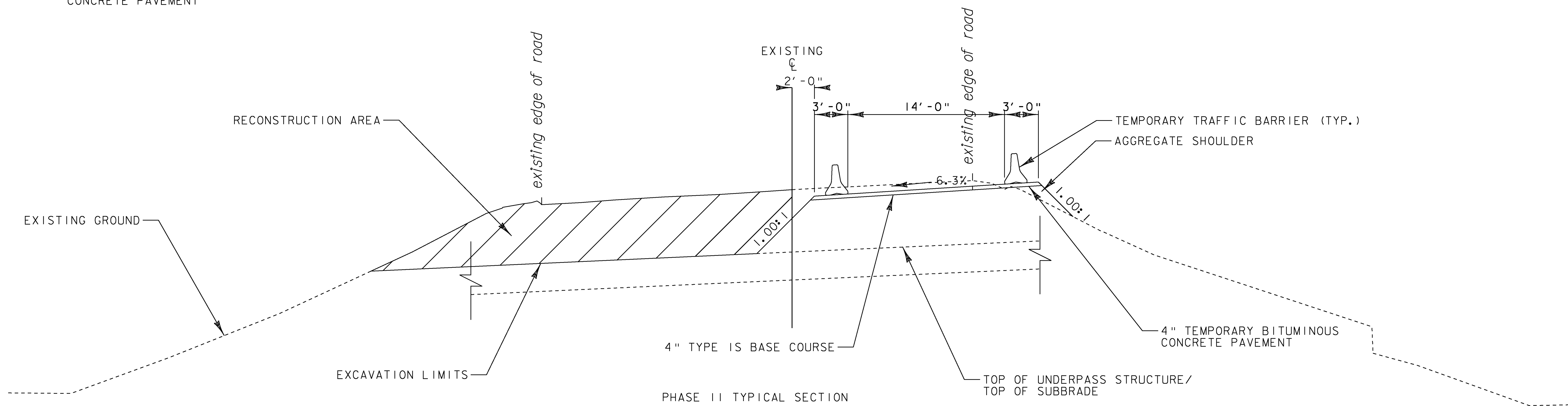


PHASE I TYPICAL SECTION



PHASE II TYPICAL SECTION

NOT TO SCALE

PHASE I AND II TRAFFIC CONTROL TYPICAL SECTIONS SHEET	PROJECT NAME: HARTFORD-SHARON	PLOT DATE: 8/6/2010
	PROJECT NUMBER: IM 089-1(57)	DRAWN BY: SJL
	FILE NAME: 97A184.dgn	CHECKED BY: EPD
	PROJECT LEADER: CDL	SHEET 36 OF 62
DESIGNED BY: SJL		
PLOT FILE: 97A184_36.i		

PLOTTED 8/6/2010