

REMOVAL OF EXISTING FENCE
 NB 3584+10 ~ NB 3620+51 RT
 SB 3583+78 ~ SB 3620+92 LT

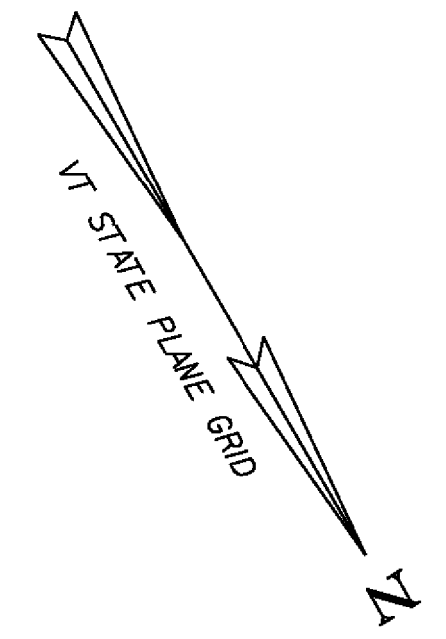
WOVEN WIRE FENCE, W/STEEL POSTS
 3601+00 SB 3586+95 ~ SB 3620+92 LT 3616+00
 3601+00 NB 3587+38 ~ NB 3608+79 RT

CHAIN-LINK FENCE, 6 FEET
 NB 3608+79 ~ NB 3620+51 RT
 3616+00

REMOVAL AND DISPOSAL OF GUARDRAIL
 NB 3601+00 NB 3584+62 ~ NB 3604+81 RT NB 3604+89 RT
 SB 3601+00 SB 3584+06 ~ SB 3604+35 LT SB 3604+31 LT

STEEL BEAM GUARDRAIL, GALVANIZED W/8' POSTS
 NB 3601+00 NB 3584+62 ~ NB 3604+74.5 RT NB 3604+89 RT
 3601+00 SB 3584+06 ~ SB 3603+93.5 LT

MANUFACTURED TERMINAL SECTION, FLARED
 SB 3603+93.5 ~ SB 3604+31 LT

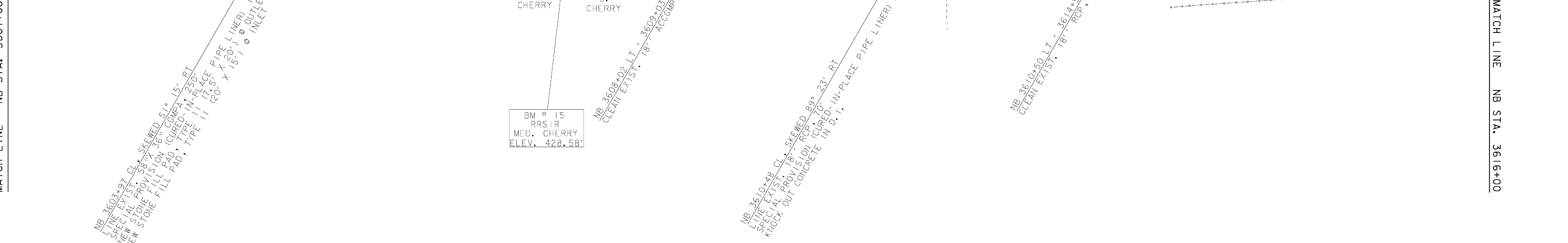
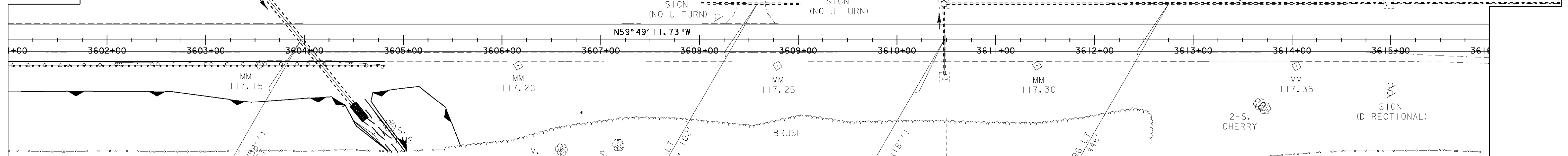
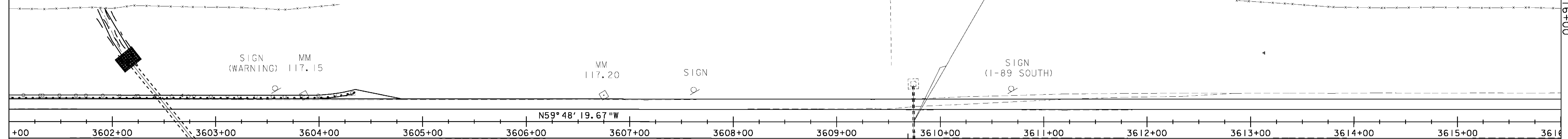


MATCH LINE SB STA. 3601+00

MATCH LINE SB STA. 3616+00

MATCH LINE NB STA. 3601+00

MATCH LINE NB STA. 3616+00



NB 3603+97 CL, SKEWED 51° 15' RT
 LINE EXIST. 18\"/>

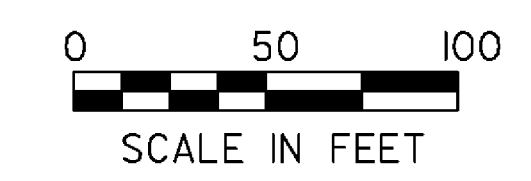
NB 3608+02 LT - 3609+03 LT
 CLEAN EXIST. 18\"/>

NB 3610+48 CL, SKEWED 89° 23' RT
 LINE EXIST. 18\"/>

NB 3614+50 LT - 3614+36 LT
 CLEAN EXIST. 18\"/>

BM # 15
 RRS IR
 MED. CHERRY
 ELEV. 428.58'

3601+00 - 3616+00



LAYOUT SHEET #13	PROJECT NAME: ST. ALBANS - SWANTON	FILE NAME: D96A058BDR.DGN	PLOT DATE: 03-SEP-2009
	PROJECT NUMBER: IM 089-3(62)	DESIGNED BY: P. BEYOR	DRAWN BY: P. BEYOR
		DESIGNED BY: P. BEYOR	CHECKED BY: A. BOMBARDIER
		FILE NAME: D96A058L12.J	SHEET 34 OF 117