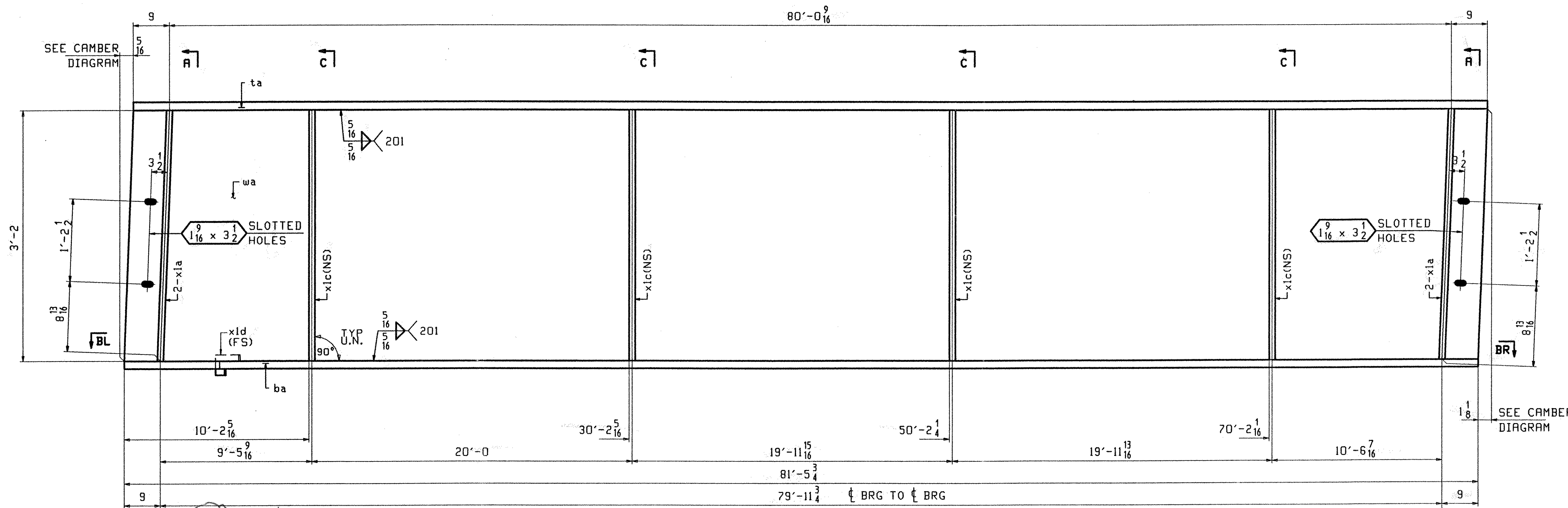


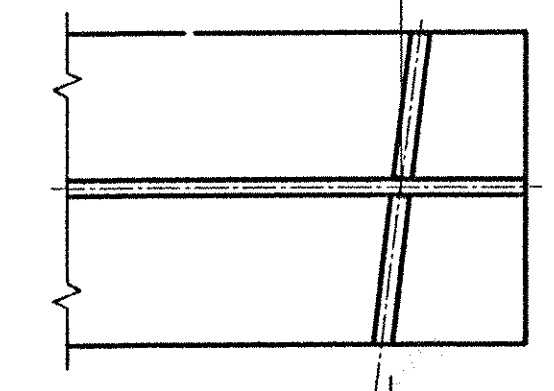
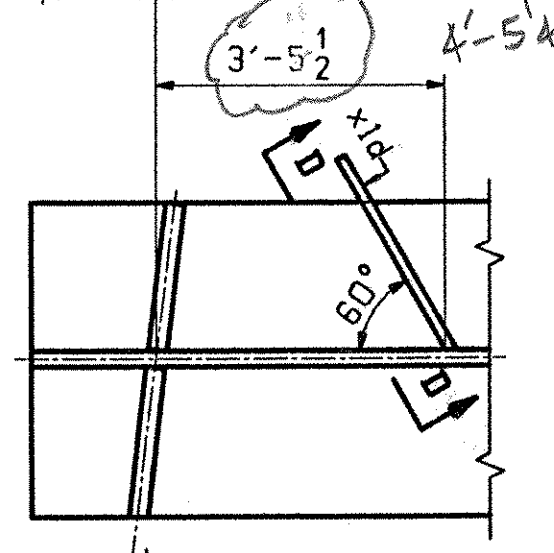
ABM INFO		SHIP	BILL OF MATERIAL				JOB NO.	DRAWING NO.	REV.
PAGE	LINE	MARK	QTY	MARK	MATERIAL	LENGTH FT INCHES	REMARKS	WT	PROCUREMENT NOTES
		4G6	1		GIRDER			14820	
1	D		1	wa	PL 1/2 x 38	81' 6 7/8	(M270-50HT2) (H2-3)		
1	F		1	ta	PL 3/8 x 16	81' 6 7/8			
1	B		1	ba	PL 1/4 x 16	81' 5 1/2	(M270-50HT2) (H2-3)		
2	B		4	xia	PL 3/8 x 7 1/2	3' 2"			
2	C		4	xlc	PL 1/2 x 5	3' 2"			
2	F		1	xld	PL 1/4 x 3 1/8	0' 10 1/16"	DRIP PLATE		



ONE - GIRDER - 4G6

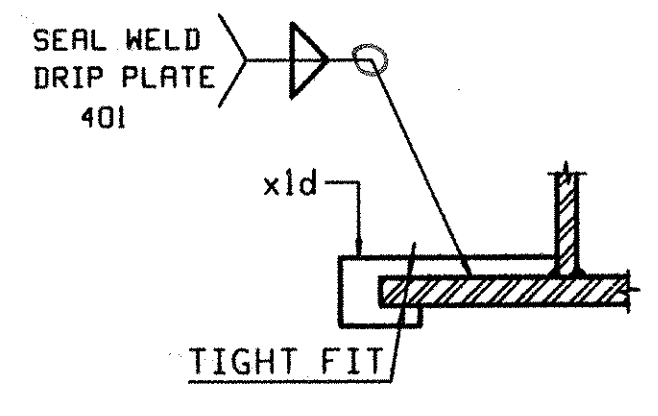
1. FOR GIRDER STANDARD DETAILS SEE DRAWING XI.
2. FOR CAMBER AND FLANGE DIAGRAMS SEE DRAWING CI.
3. FOR GENERAL NOTES SEE DRAWING GNI.

RECEIVED
 V.A.O.T.
 OK'D BY *[Signature]* OK'D BY *G. Roy*
 4-7-01 4-18-01
 MAR 29 2001
 RESUBMIT APPROVED *[Signature]*
 BY *[Signature]* DATE 4-18-01

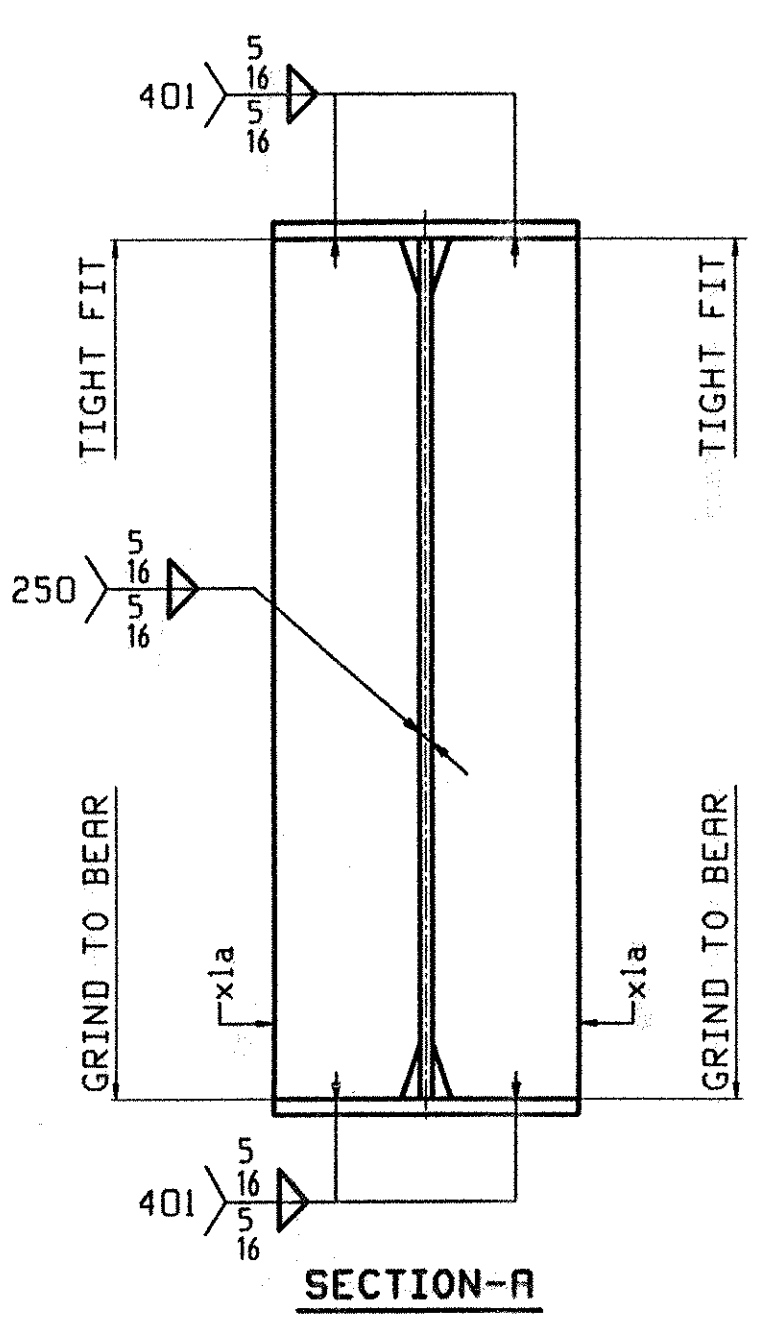


SECTION-BL

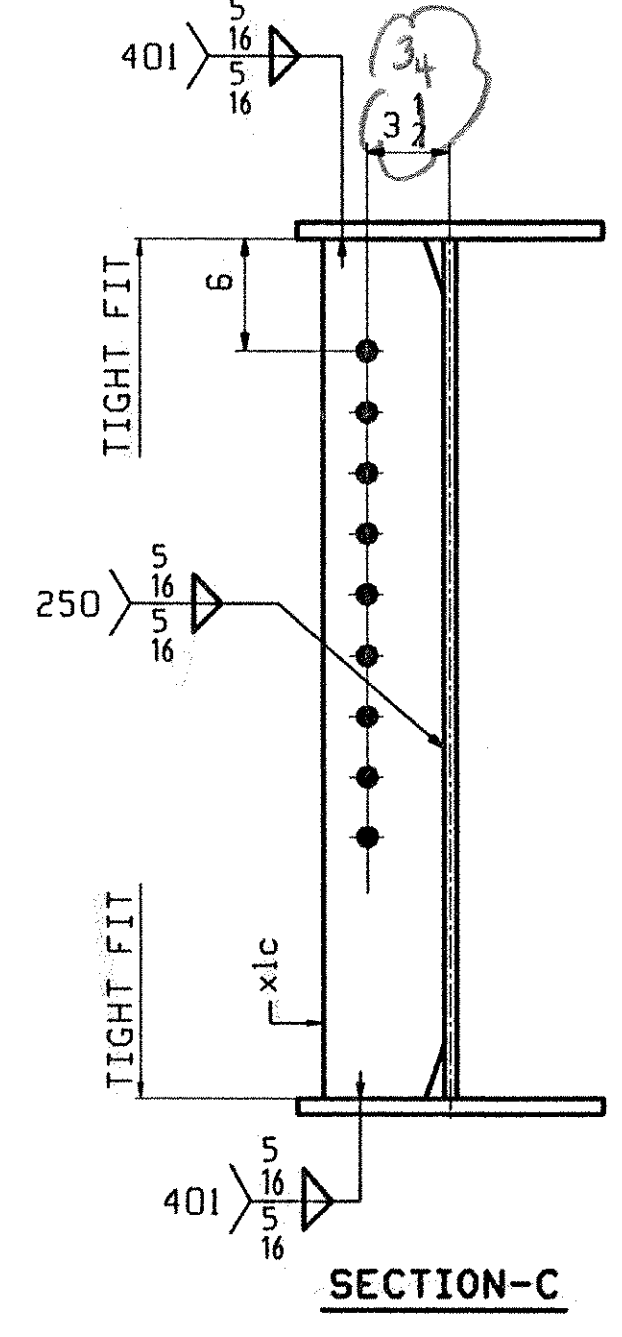
SECTION-BR



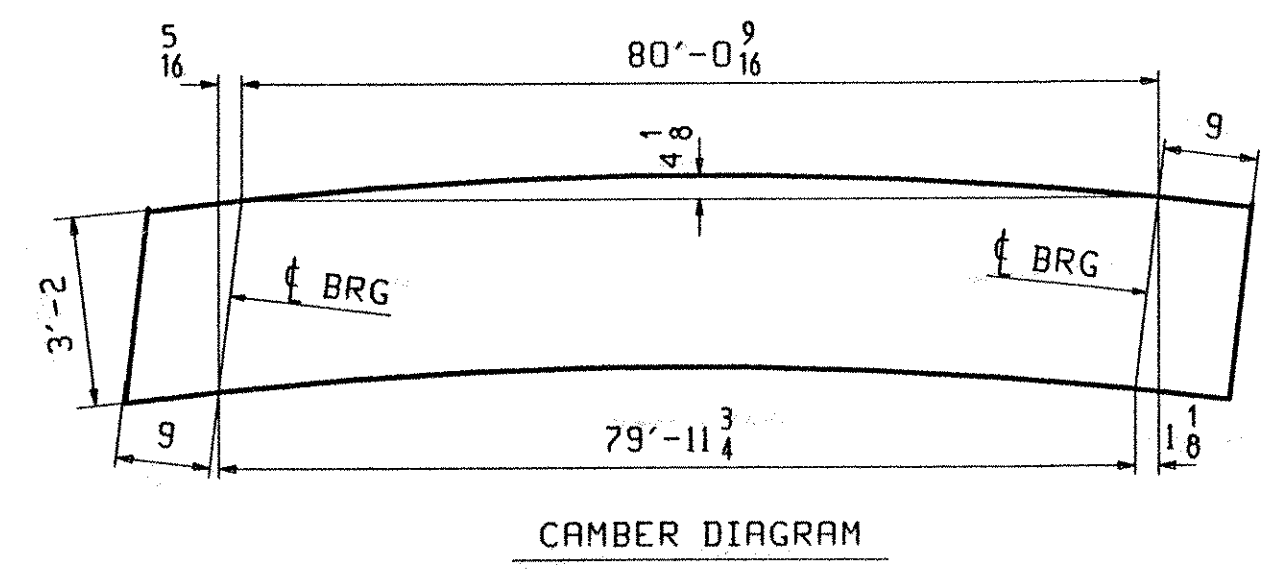
SECTION-D



SECTION-A



SECTION-C



CAMBER DIAGRAM

OUT FOR APPROVAL	3-26-01										
OUT FOR APPROVAL											
ISSUED TO SHOP											
FIELD & OFFICE											
REV.	REMARKS	DATE	DWN	CHK	APP	Q.A.	NO.	DIA.	LGT	TYPE	WASHER
MATERIAL:	ELECTRODES:	HOLES:	SHOP BOLTS:								
M270 GR. S0W		15 16 Ø U.N.									
SURFACE PREP. & PAINT:											
DESCRIPTION:	GIRDER 4G6					DRAWN BY:	DATE				
JOB:	I-89 OVER VT 104					JAK	03/16				
	BRIDGE 075 & 07 N					CHKD BY:					
	I-89 IMPROVEMENTS					APPROV BY:					
	FAIRFAX FRANKLIN COUNTY					SUPERVISOR	W. J. GATTI				
PROJ NO.	IM 089-3(27)					Q.A.					
CUSTOMER: VERMONT AGENCY OF TRANSPORTATION											
CASCO BAY STEEL STRUCTURES, INC.						JOB NO.	DRG. NO.				
75 SPRING HILL ROAD SACO, MAINE 04072						131	4				
PHONE (207) 282-7360 FAX. (207) 282-1179						450	REV.		△		