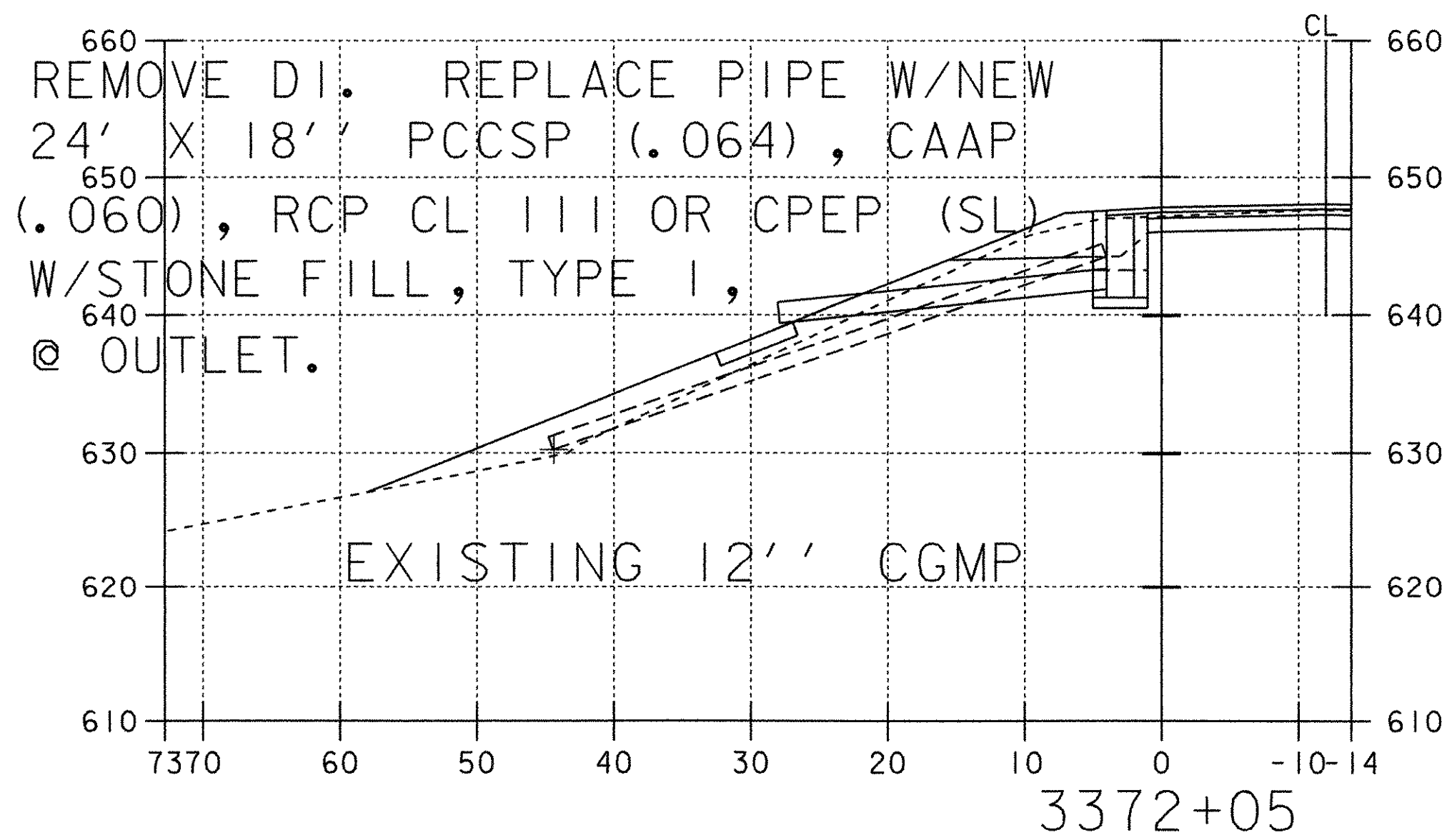
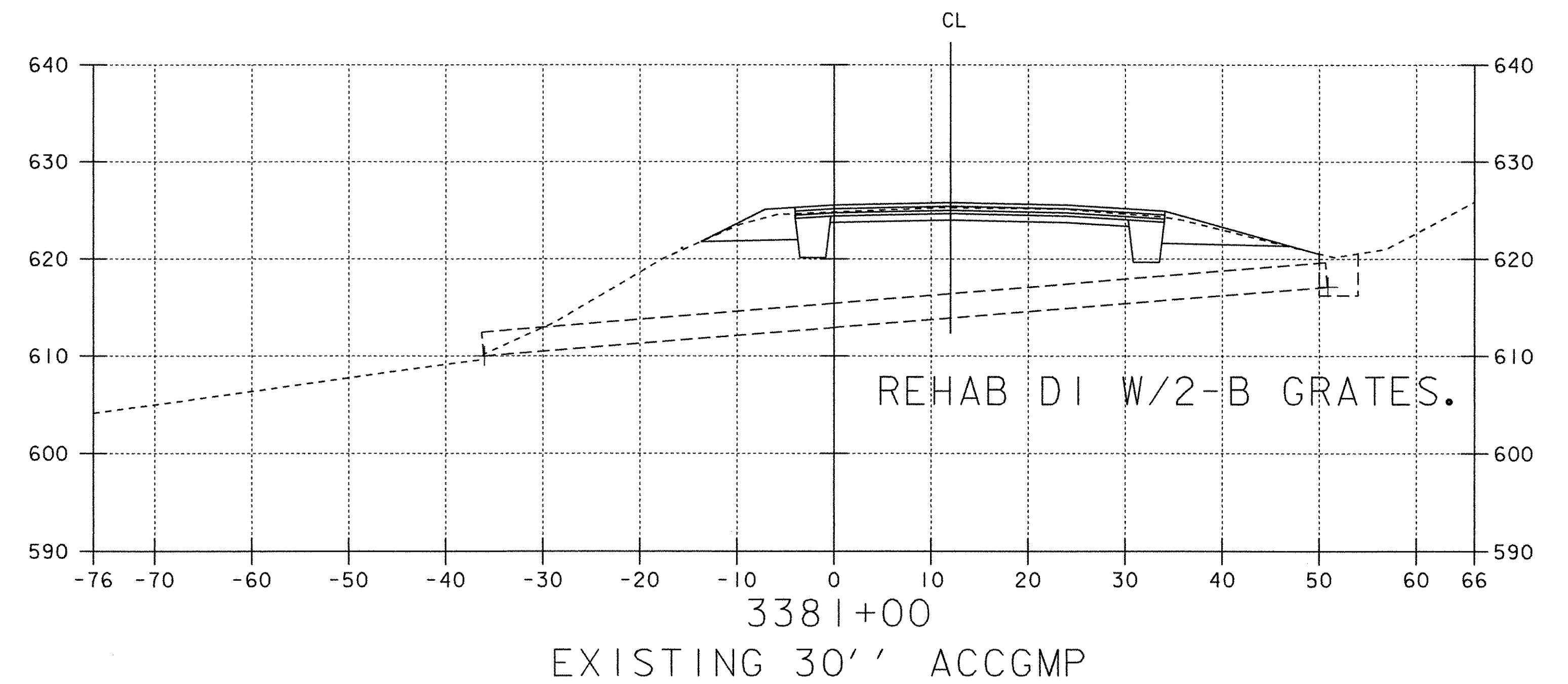
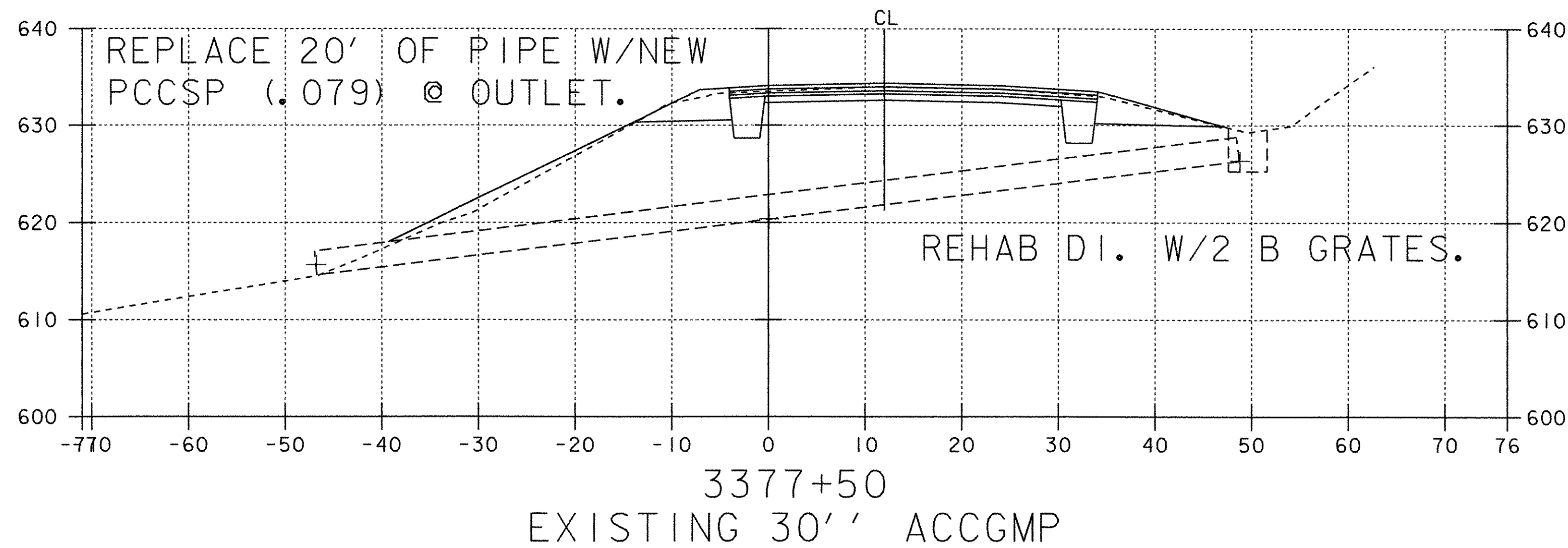
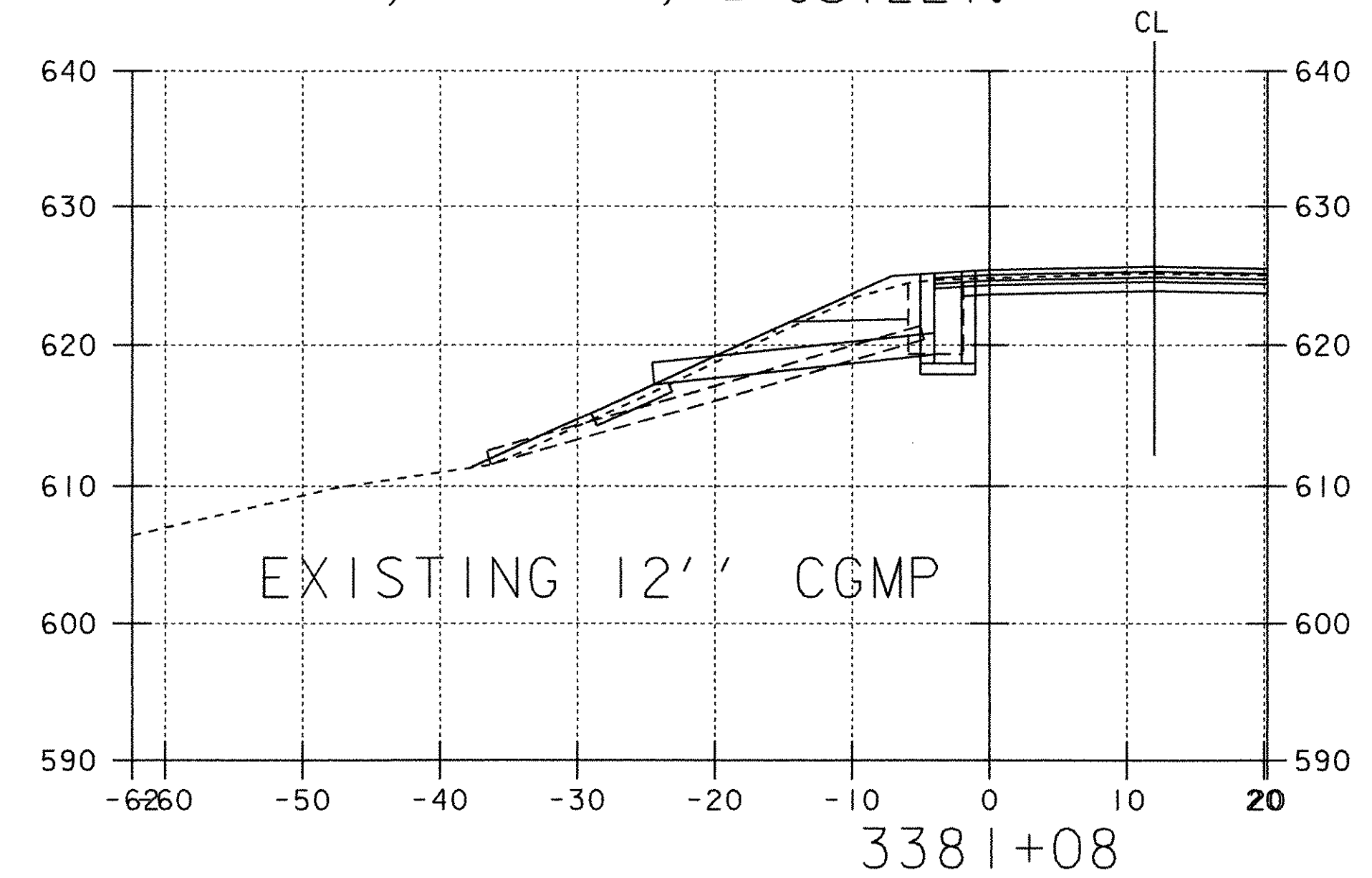
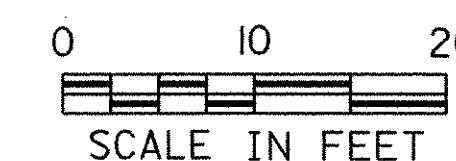


REMOVE DI. REPLACE PIPE W/NEW
20' X 18" PCCSP (.064), CAAP
(.060), RCP CL III OR CPEP (SL)
W/STONE FILL, TYPE I, @ OUTLET.



NORTHBOUND DRAINAGE CROSS SECTIONS



PROJECT: FAIRFAX - FAIRFIELD - ST. ALBANS	PROJECT NO.: IM 089-3(27)
DESIGN FILE NAME: /87A007B/DESIGN/DA007DXS.DGN	PLOT DATE: 17-AUG-2000
IPARM FILE NAME: DA007X68	SURVEY DATE: 6/98
SURVEYED BY: ORVIS	DRAWN BY: SQUAD B
SQUAD LEADER: DELLA SANTA	SHEET: 366 OF 370