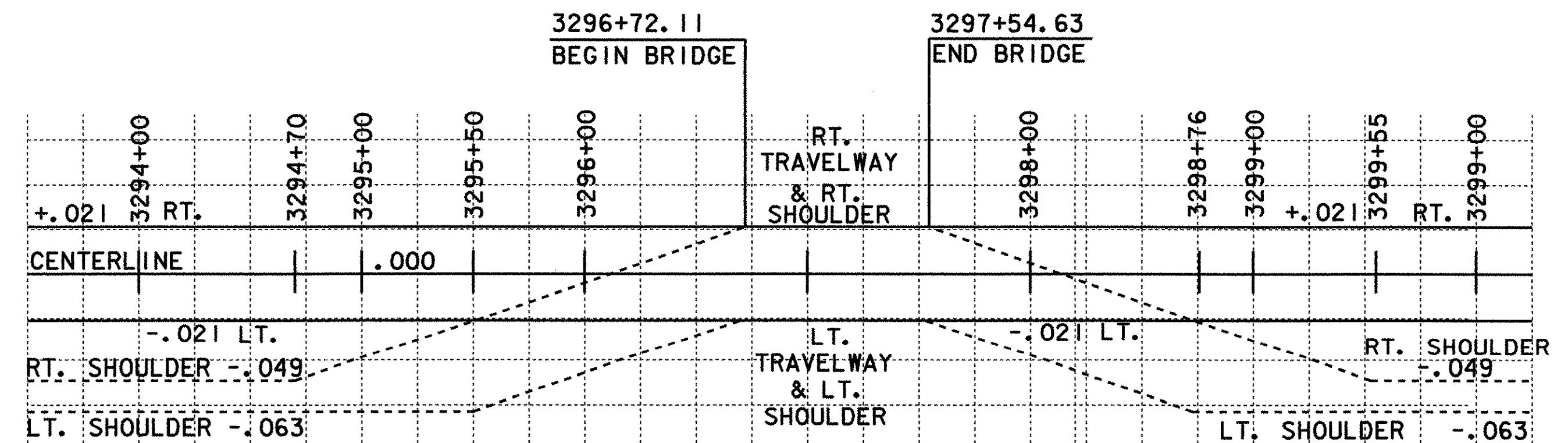
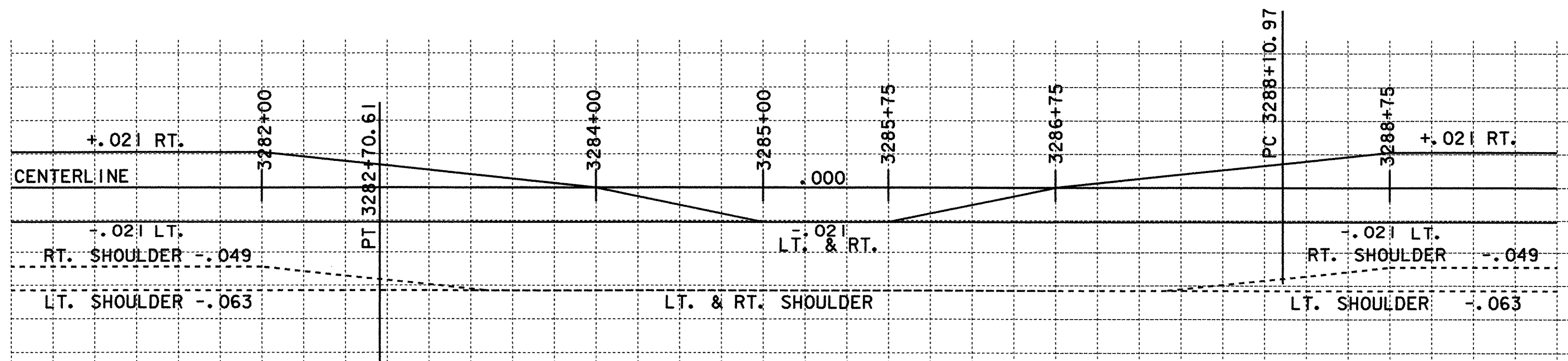
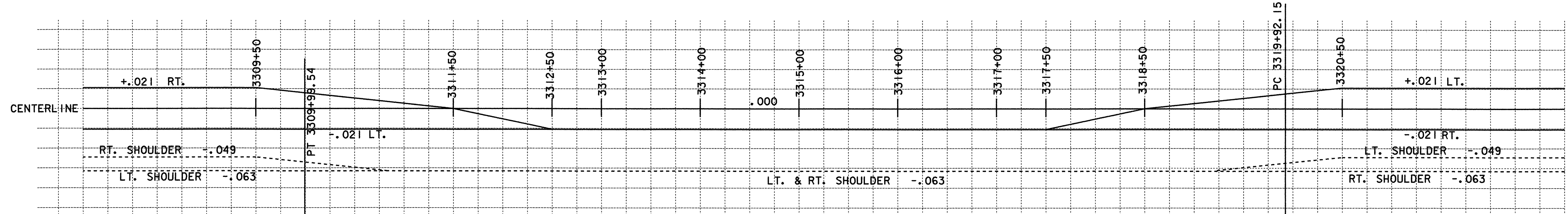
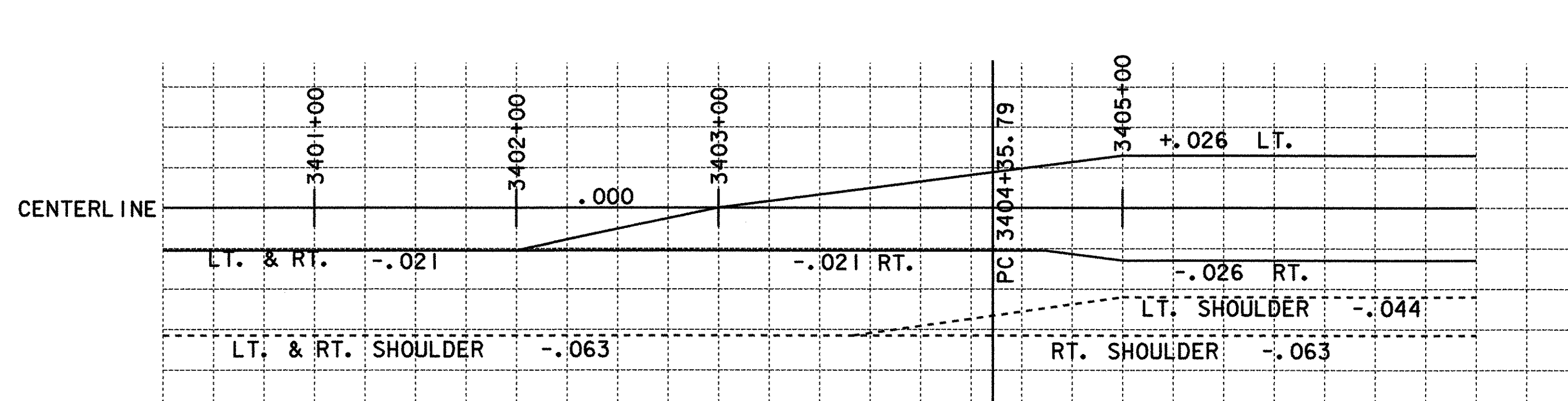
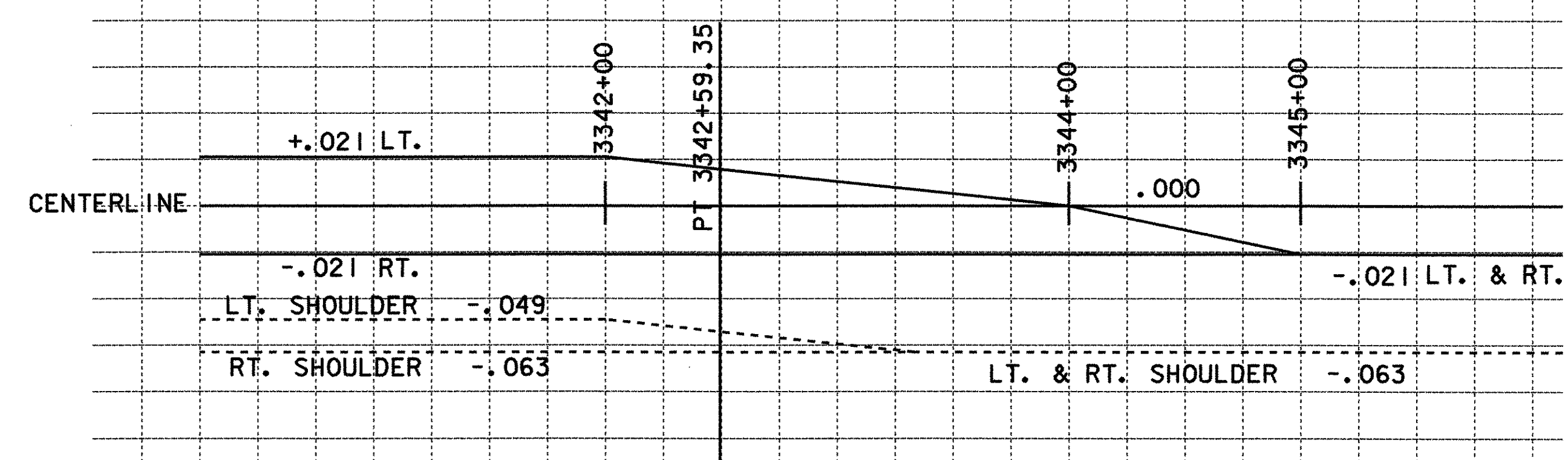
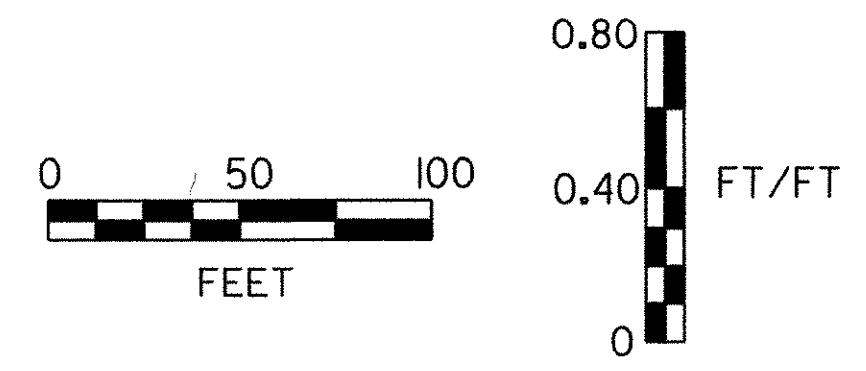


NOTE: AT THE BRIDGE THE SHOULDER CROSS SLOPE SHALL BE THE SAME AS THE TRAVELWAY LANES.



NOTE: AT THE BRIDGE THE SHOULDER CROSS SLOPE SHALL BE THE SAME AS THE TRAVELWAY LANES.

SOUTHBOUND BANKING TRANSITION DIAGRAMS



PROJECT:	FAIRFAX - FAIRFIELD - ST. ALBANS	PROJECT NO.:	IM 089-3(27)
DESIGN FILE NAME:	/87A007B/DESIGN/DA007XS2.DGN		
IPARM FILE NAME:	DA007BKS	PLOT DATE:	18-AUG-2000
SURVEYED BY:	ORVIS	SURVEY DATE:	6/98
SQUAD LEADER:	DELLA SANTA	DRAWN BY:	SQUAD B
		SHEET:	296 OF 370