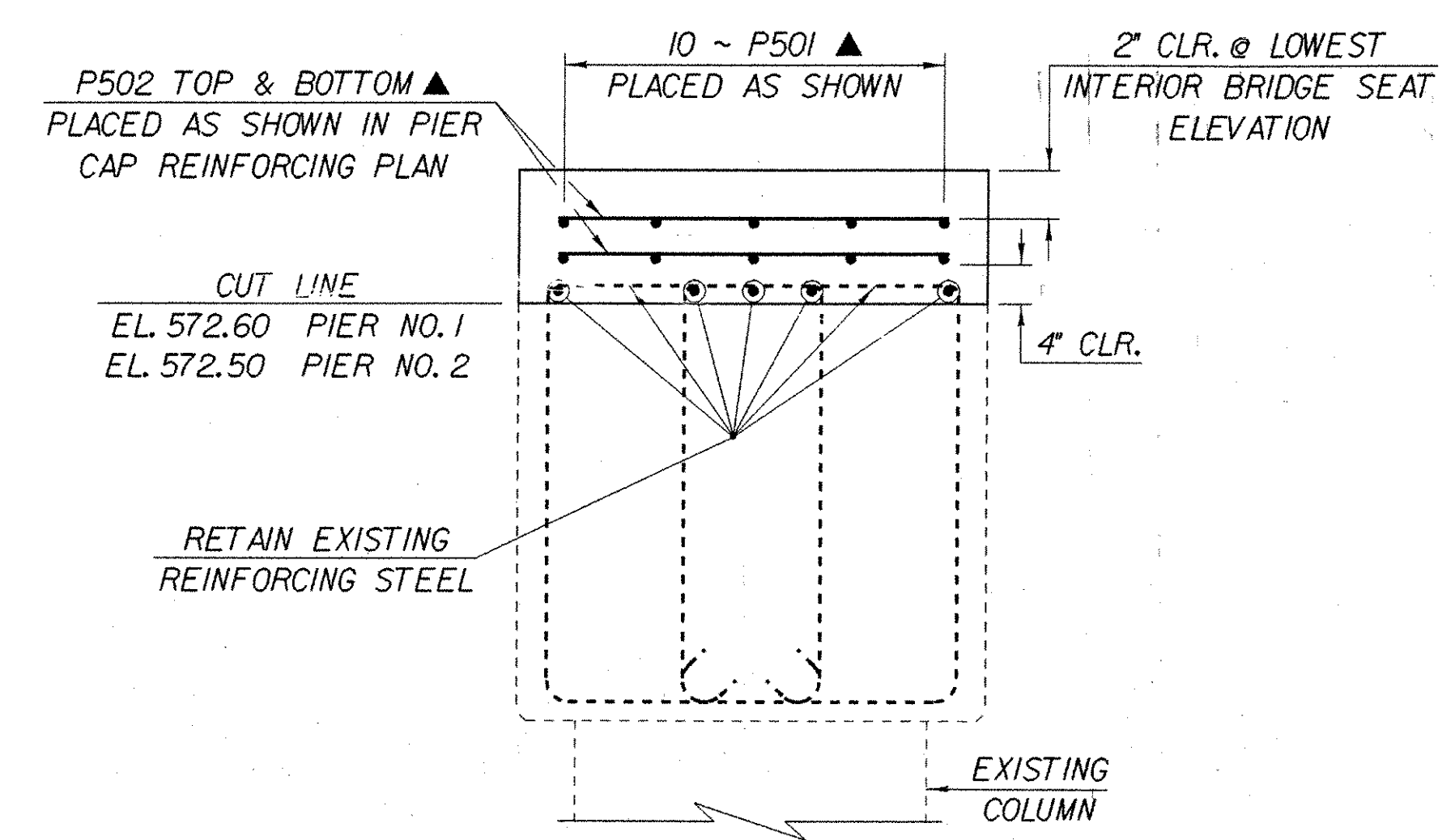
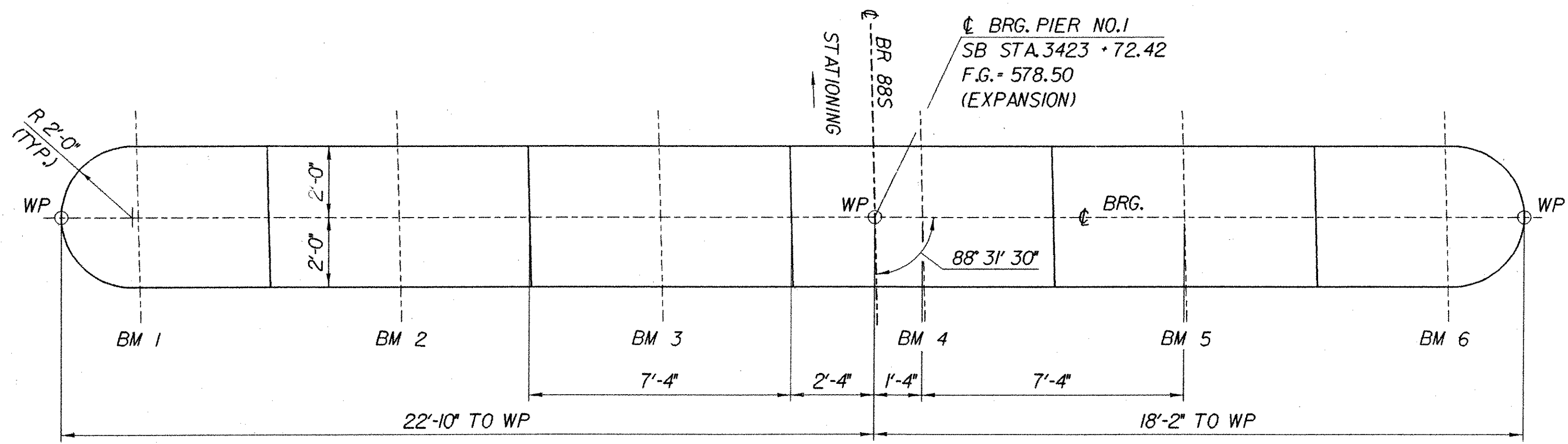


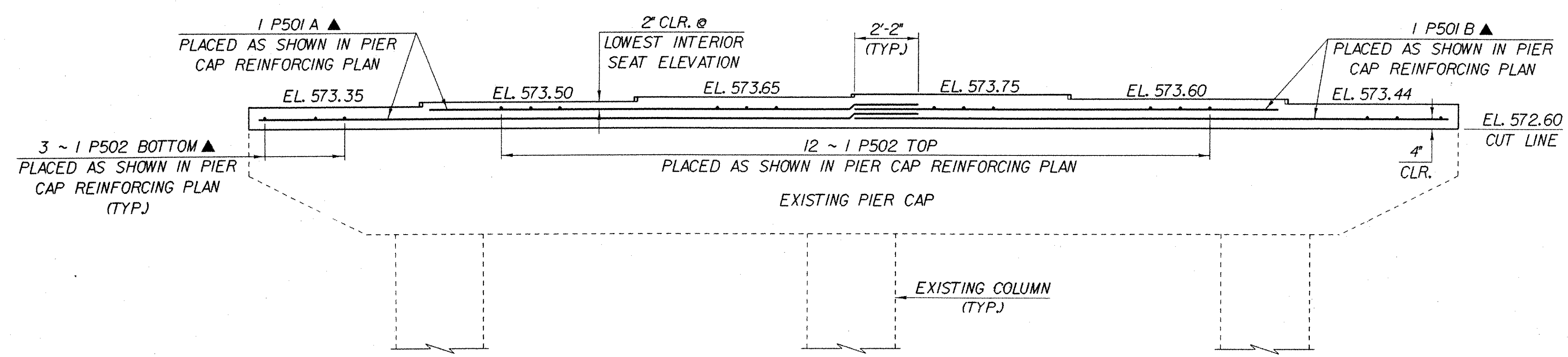
PIER CAP REINFORCING PLAN
SCALE: 3/8" = 1'-0"



PIER TYPICAL
SCALE: 3/4" = 1'-0"



PIER NO. 1 PLAN
SCALE: 3/8" = 1'-0"



PIER NO. 1 PARTIAL ELEVATION
(LOOKING UPSTATION)
SCALE: 3/8" = 1'-0"

IMPORTANT NOTE: BRIDGE FINISHED GRADES ARE CENTERLINE GRADES.

NOTE:
NF = NEAR FACE
FF = FAR FACE
EF = EACH FACE
▲ = CUT TO FIT IN FIELD
3" CLR. UNLESS OTHERWISE SPECIFIED ON THE PLANS.

STATE OF VERMONT AGENCY OF TRANSPORTATION	
Town of FAIRFAX-FAIRFIELD-ST. ALBANS	Bridge No. 88S
Highway No. 1-89	Log Sta. Surv. Sta.
1-89 OVER ST. ALBANS SOUTH STATE HIGHWAY (EXIT 19)	
PIER NO. 1 DETAILS	
Designed By M. LOZIER	Drawn By K. CHISHOLM
Checked By M. LOZIER Date 2/00	Bridge Design Supervisor R. R. WHITCOMB Date 2/00
PROJECT FAIRFAX-FAIRFIELD-ST. ALBANS	PROJECT NO. 1 M 089 - 3 (27)
I.G.C. Info. 96a056Structures\sa056ab2.dgn	sa056pr1j
Bridge Sheet No. BR442	Sheet 194 of 370