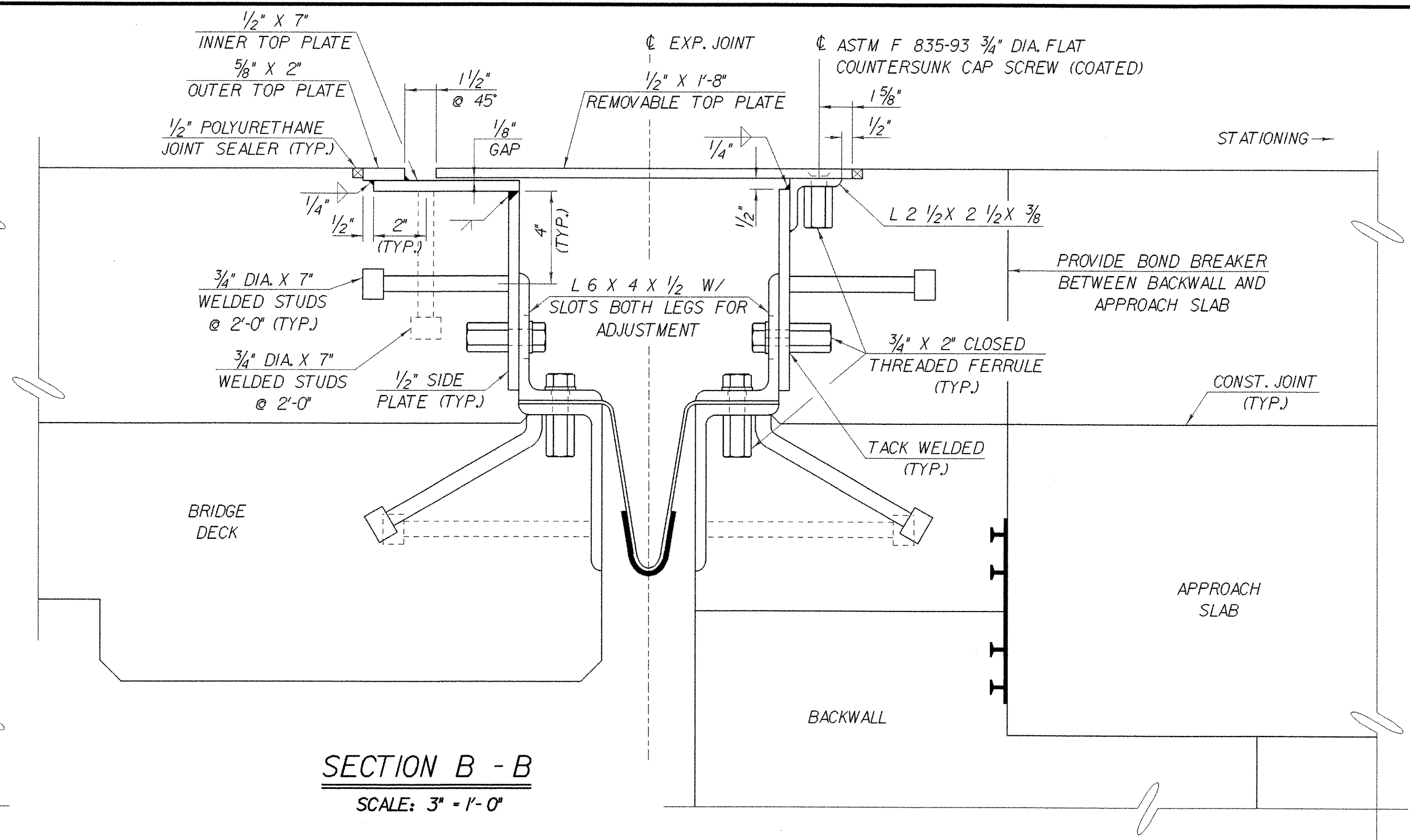
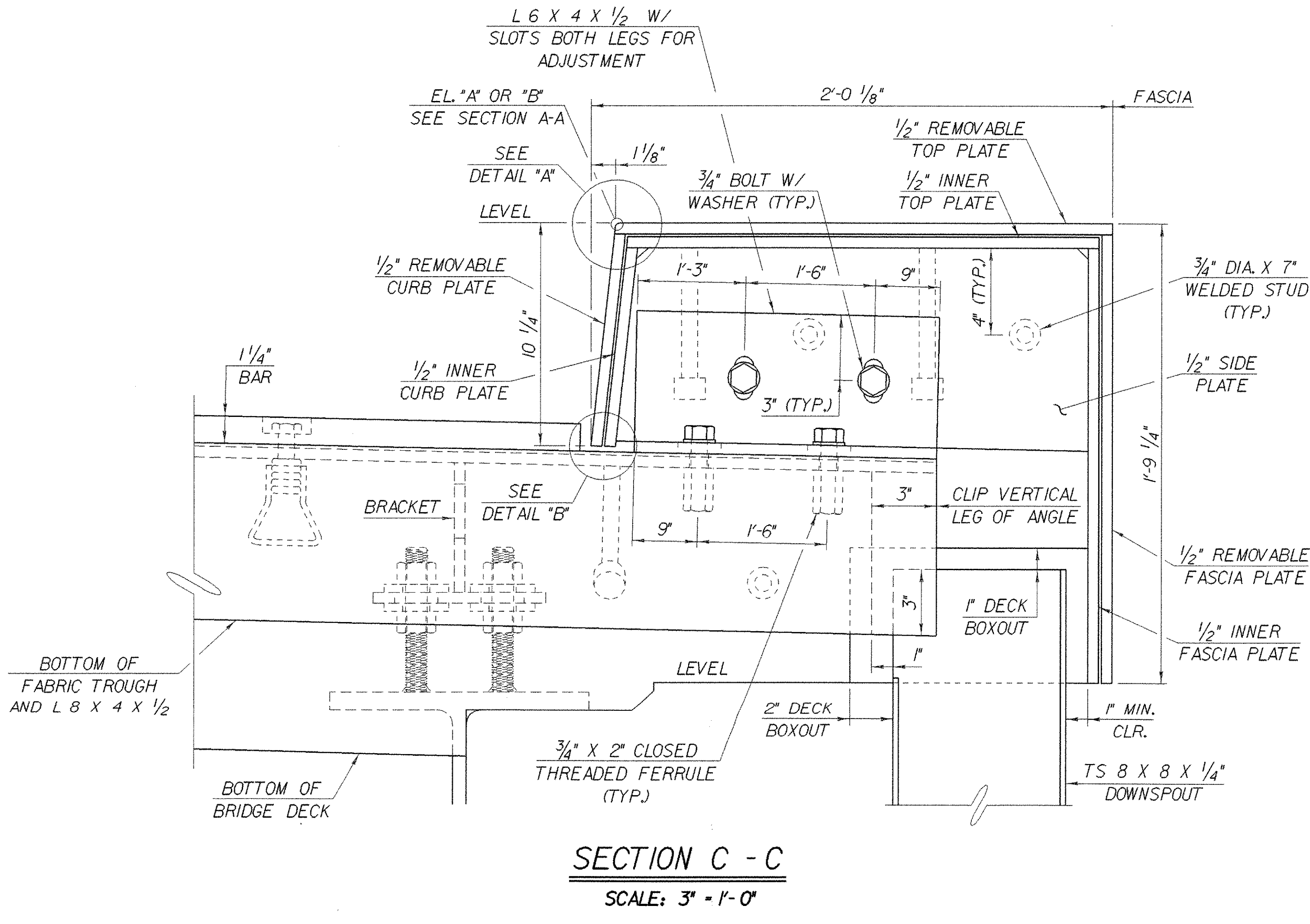


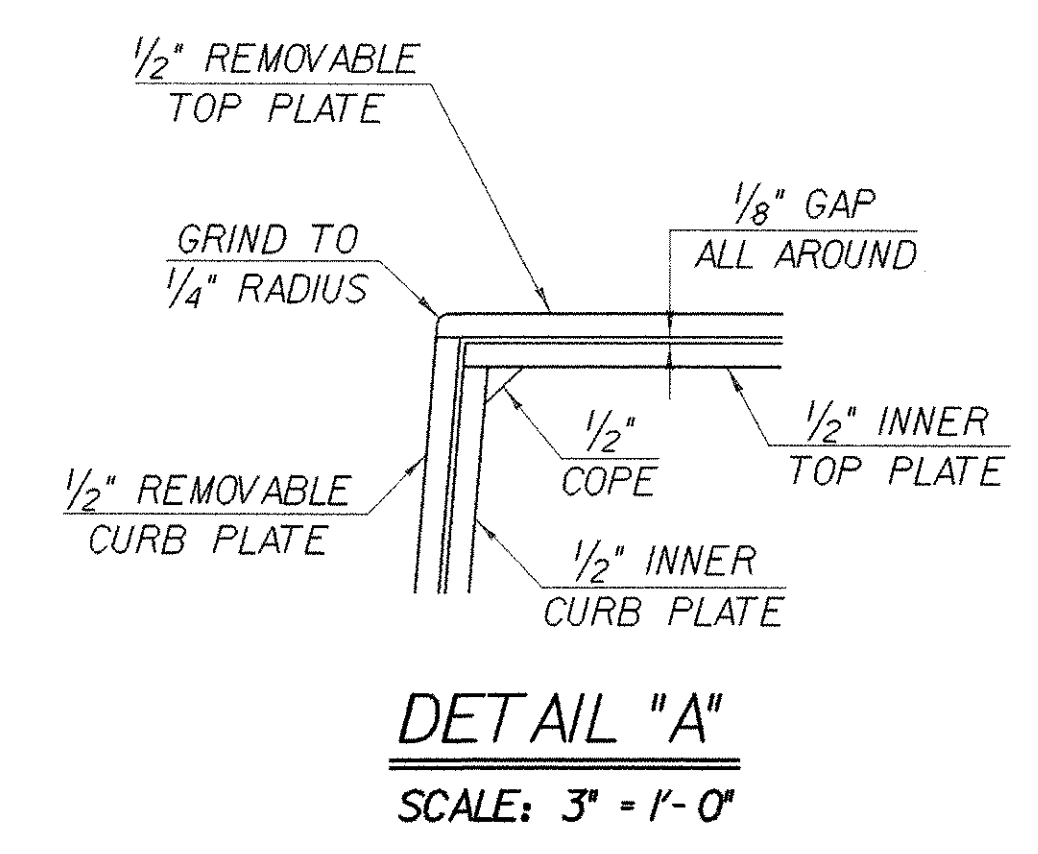
SECTION A - A
SCALE: 3" = 1'-0"



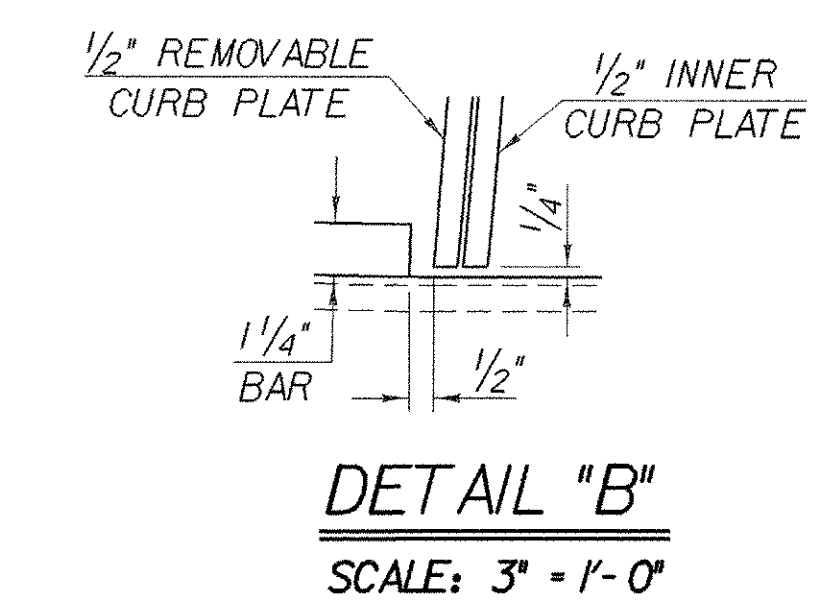
SECTION B - B
SCALE: 3" = 1'-0"



SECTION C - C
SCALE: 3" = 1'-0"



DETAIL "A"
SCALE: 3" = 1'-0"



DETAIL "B"
SCALE: 3" = 1'-0"

CURB ELEVATION TABLE		
WINGWALL	"A"	"B"
NO. 11	578.71	578.70
NO. 12	578.81	578.80
NO. 15	581.65	581.65
NO. 16	580.74	580.74

**STATE OF VERMONT
AGENCY OF TRANSPORTATION**

Town of **FAIRFAX-FAIRFIELD-ST. ALBANS** Bridge No. **88 N & S**
 Highway No. **1-89** Log Sta. _____
 Surv. Sta. _____

1-89 OVER ST. ALBANS SOUTH STATE HIGHWAY (EXIT 19)
88 N & S CURB PLATE DETAILS

Designed By **G. ROY** Drawn By **K. CHISHOLM**
 Checked By **M. LOZIER** Date **2/00** Bridge Design Supervisor
R. R. WHITCOMB Date **2/00**

PROJECT **FAIRFAX-FAIRFIELD-ST. ALBANS** PROJECT NO. **1M 089 - 3 (27)**
 I.G.C. Info. **96a056Structures\sa056exp.dgn** **sa056exp21**
 Bridge Sheet No. **BR427** Sheet **179** of **370**