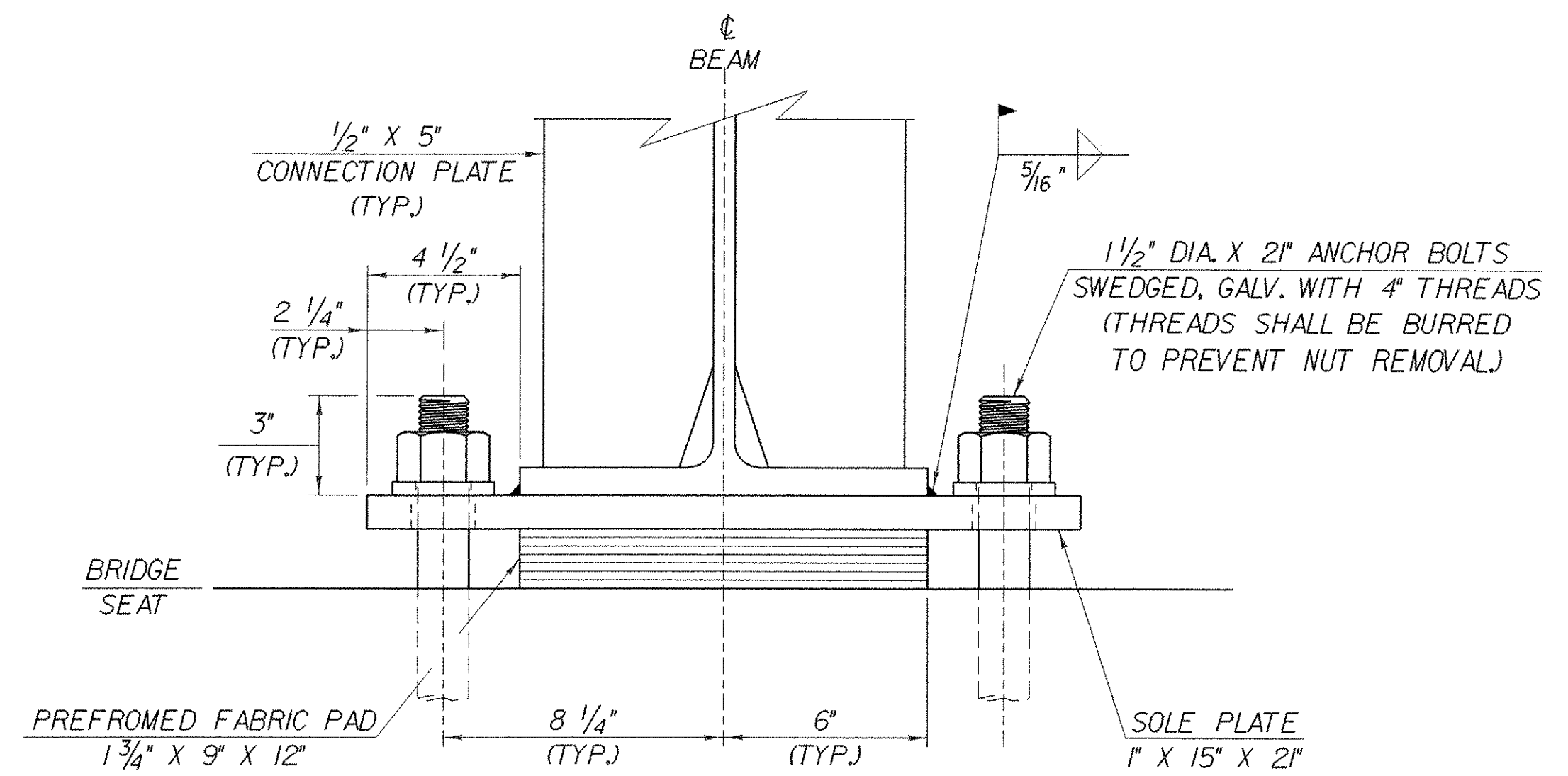
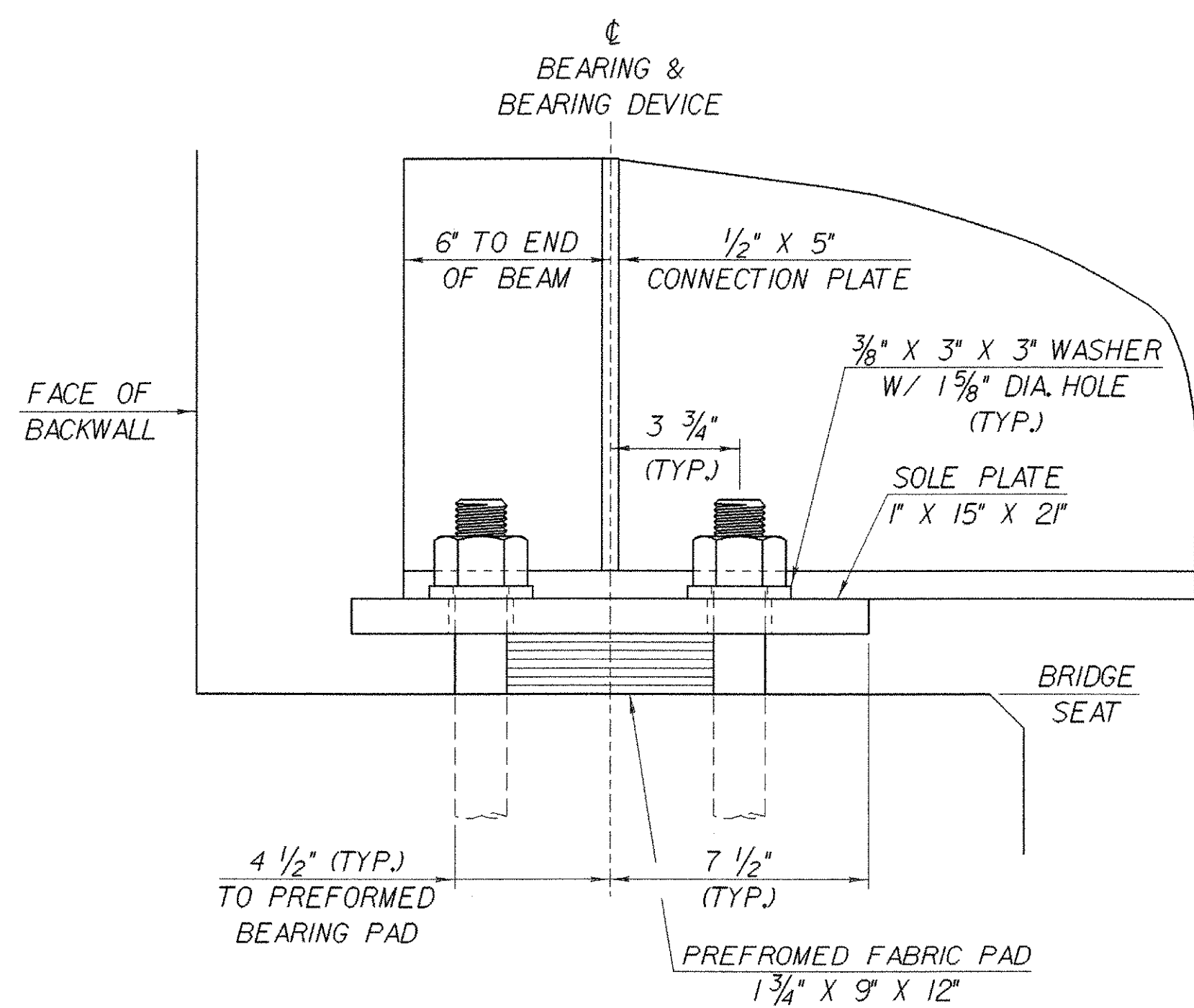


PLAN VIEW
SCALE: 3" = 1'-0"



FRONT VIEW
SCALE: 3" = 1'-0"



SIDE ELEVATION
SCALE: 3" = 1'-0"

STATE OF VERMONT AGENCY OF TRANSPORTATION			
Town Of FAIRFAX-FAIRFIELD-ST. ALBANS	Bridge No. 885		
Highway No. 1-89	Log Sta.		
	Surv. Sta.		
1-89 OVER ST. ALBANS SOUTH STATE HIGHWAY (EXIT 19)			
885 FIXED BEARING DETAILS ABUT. NO. 5			
Designed By M. LOZIER	Drawn By K. CHISHOLM		
Checked By M. LOZIER	Date 2/00	Bridge Design Supervisor R. R. WHITCOMB	Date 2/00
PROJECT FAIRFAX-FAIRFIELD-ST. ALBANS		PROJECT NO. 1M 089 - 3 (27)	
I.G.C. Info. 96a056\Structures\sa056fr2.dgn		sa056br2.i	
Bridge Sheet No. BR418		Sheet 170 of 370	