

☐ BRG. ABUT. NO. 5  
SB STA. 3423+19.42  
F.G. = 578.40  
(FIXED)

☐ BRG. PIER NO. 1  
SB STA. 3423+72.42  
F.G. = 578.50  
(EXPANSION)

☐ BRG. PIER NO. 2  
SB STA. 3424+46.51  
F.G. = 578.50  
(EXPANSION)

☐ BRG. ABUT. NO. 6  
SB STA. 3424+99.51  
F.G. = 578.40  
(EXPANSION)

END APPROACH SLAB  
BEGIN BRIDGE  
SB STA. 3423+17.42  
F.G. = 578.39

BEGIN APPROACH SLAB  
SB STA. 3422+97.42  
F.G. = 578.33

END BRIDGE  
BEGIN APPROACH SLAB  
SB STA. 3425+01.68  
F.G. = 578.39

END APPROACH SLAB  
SB STA. 3425+21.68  
F.G. = 578.33

SURVEY ☐ I-89  
← SOUTHBOUND

EDGE OF  
TRAVEL LANE  
(TYP.)

BEGIN APPROACH SLAB  
NB STA. 3422+66.75  
F.G. = 580.67

END APPROACH SLAB  
BEGIN BRIDGE  
NB STA. 3422+86.75  
F.G. = 580.66

☐ BRG. ABUT. NO. 7  
NB STA. 3422+88.75  
F.G. = 580.66  
(FIXED)

☐ BRG. PIER NO. 3  
NB STA. 3423+36.78  
F.G. = 580.63  
(EXPANSION)

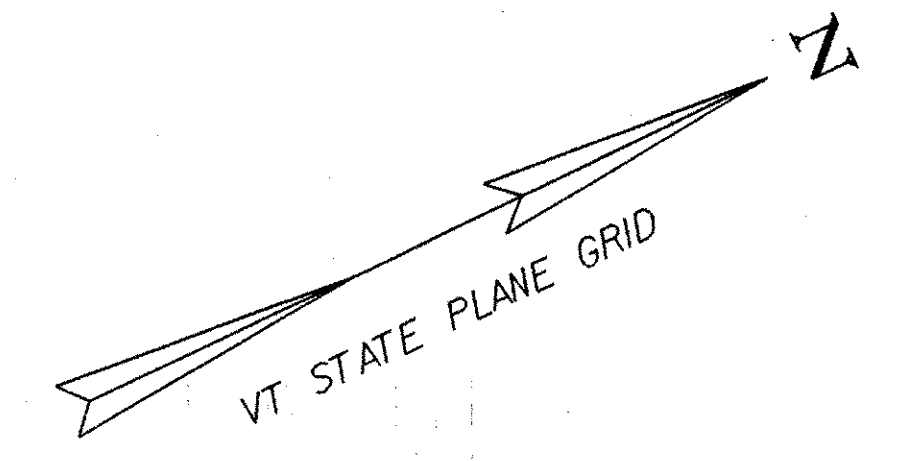
☐ BRG. PIER NO. 4  
NB STA. 3424+05.62  
F.G. = 580.58  
(EXPANSION)

END APPROACH SLAB  
NB STA. 3424+75.79  
F.G. = 580.54

END BRIDGE  
BEGIN APPROACH SLAB  
NB STA. 3424+55.79  
F.G. = 580.55

☐ BRG. ABUT. NO. 8  
NB STA. 3424+53.62  
F.G. = 580.55  
(EXPANSION)

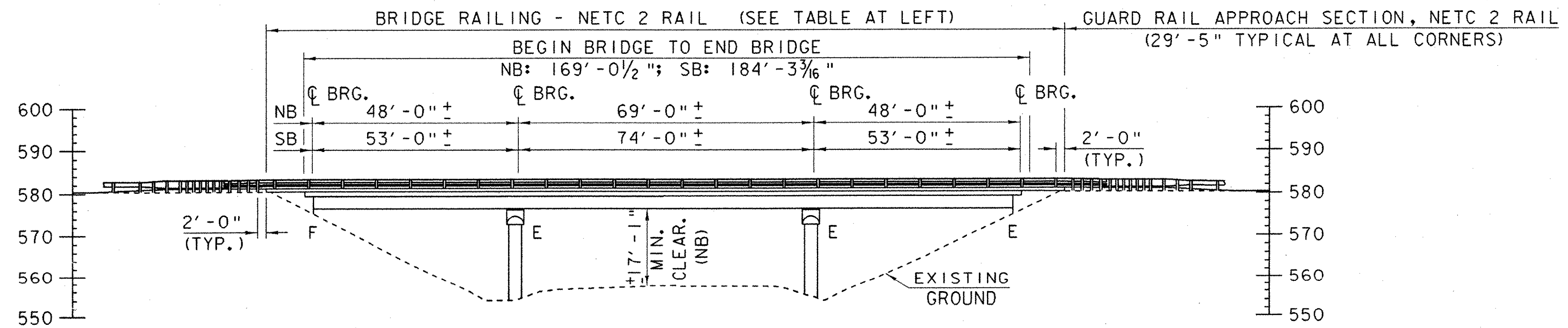
PLAN  
SCALE: 1" = 20'-0"  
20 0 20



\* SEE PROJECT NOTE 5 ON SHEET BR403

**BRIDGE RAILING TABLE**

BRIDGE	RIGHT	LEFT
88 N	185'-10 <sup>15</sup> / <sub>16</sub> "	201'-10"
88 S	196'-1 <sup>1</sup> / <sub>8</sub> "	202'-1 <sup>1</sup> / <sub>8</sub> "



**ELEVATION ALONG NORTHBOUND FASCIA**

SCALE: 1" = 20'-0"  
20 0 20

**IMPORTANT NOTE: BRIDGE FINISHED GRADES ARE CENTERLINE GRADES.**

**STATE OF VERMONT  
AGENCY OF TRANSPORTATION**

Town Of <b>FAIRFAX-FAIRFIELD-ST. ALBANS</b>	Bridge No. <b>88 N&amp;S</b>
Highway No. <b>I-89</b>	Log Sta. <b>Surv. Sta.</b>
<b>I-89 OVER ST. ALBANS SOUTH STATE HIGHWAY (EXIT 19)</b>	
<b>88 N &amp; S PLAN AND ELEVATION SHEET</b>	
Designed By <b>G. ROY</b>	Drawn By <b>G. ROY</b>
Checked By <b>M. LOZIER</b> Date <b>2/00</b>	Bridge Design Supervisor <b>R.R. WHITCOMB</b> Date <b>2/00</b>
PROJECT <b>FAIRFAX-FAIRFIELD-ST. ALBANS</b>	PROJECT NO. <b>1M 089 - 3 (27)</b>
I.G.C. Info. <b>95a056/Structures/sa056pe3.dgn</b>	sa056pe3J
Bridge Sheet No. <b>BR402</b>	Sheet <b>154</b> of <b>370</b>

PLOTTED 21-SEP-2000