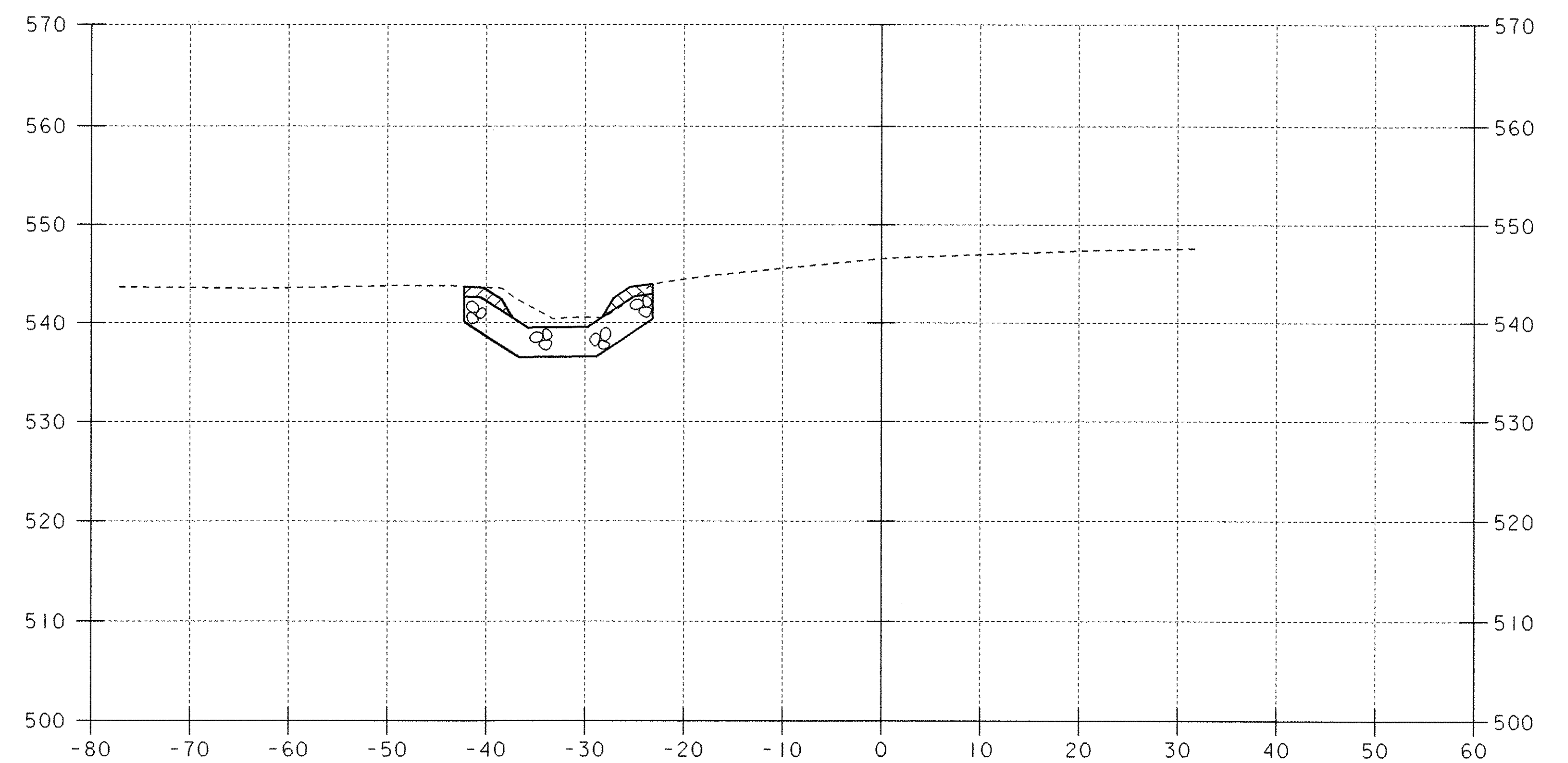
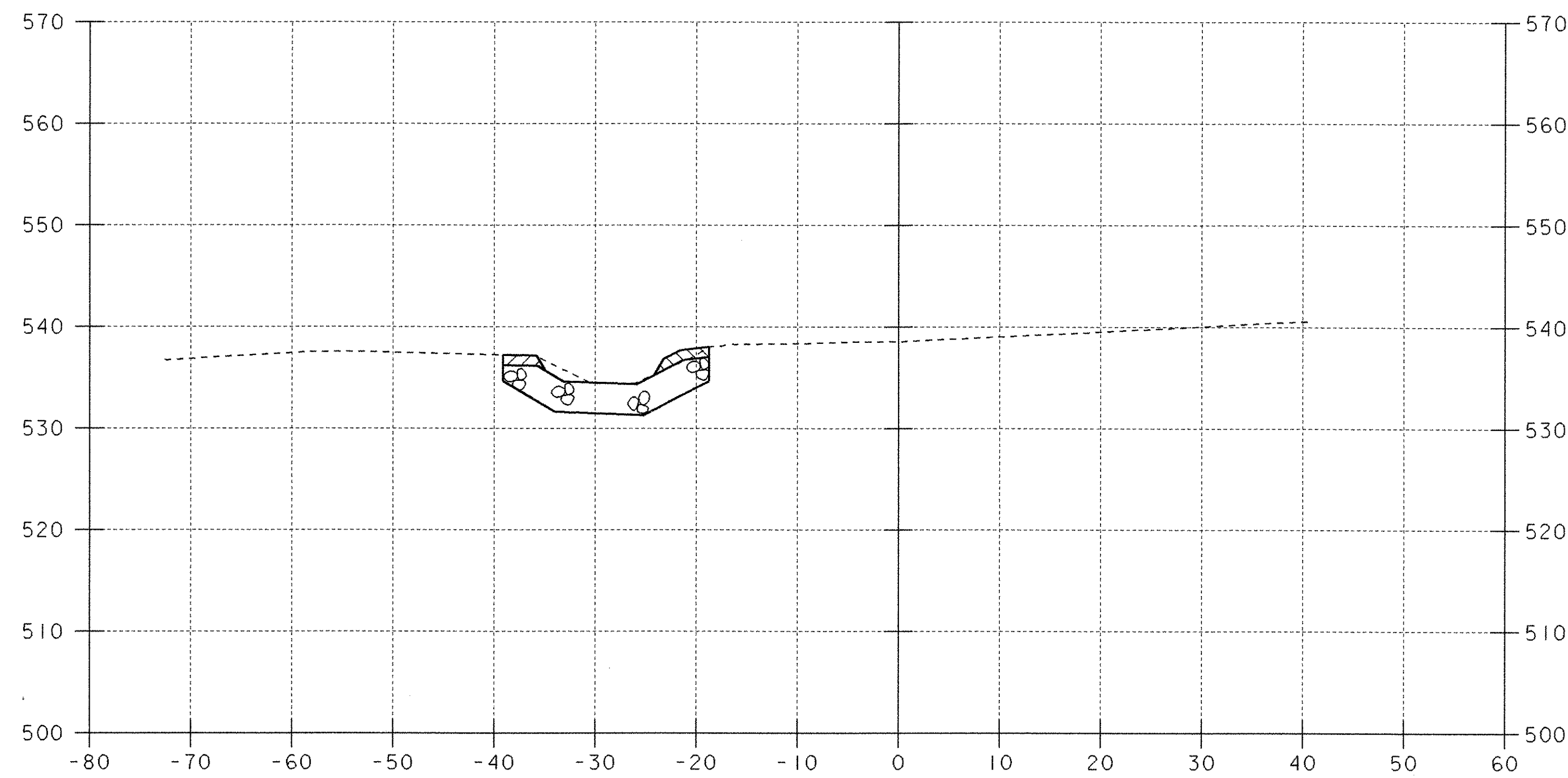


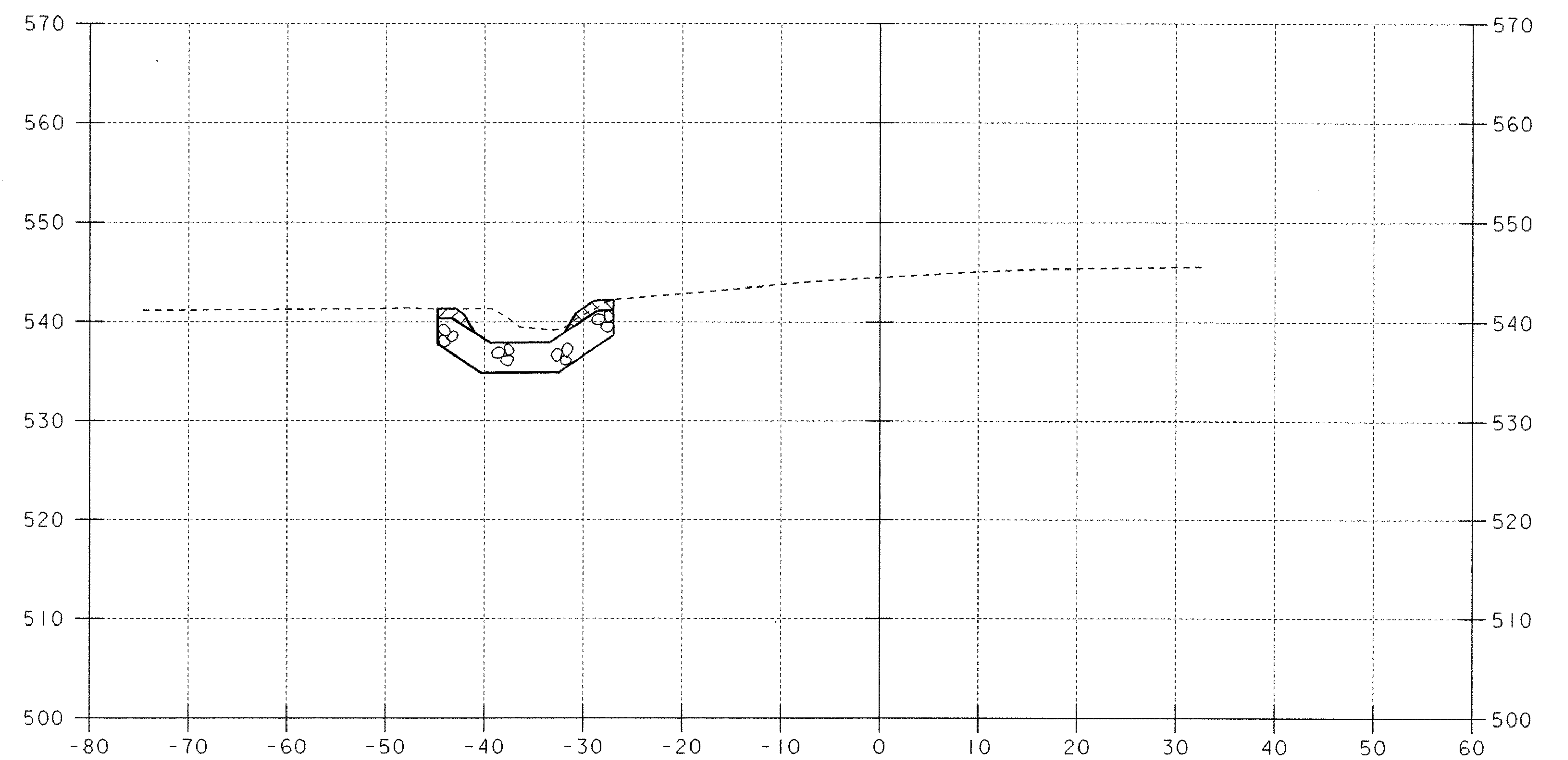
31+75



32+25



31+50



32+00

DATUM
 VERTICAL _____
 HORIZONTAL _____

SCALE 1" = 10'-0"

PROJECT: FAIRFAX-FAIRFIELD-ST. ALBANS	PROJECT NO.: IM 089-3 (27)
DESIGN FILE NAME: \\96a056\Structures\sa056xs4.dgn	PLOT DATE: 21-SEP-2000
IPARM FILE NAME: sa056d04.i	BRIDGE SHEET BR318
CHANNEL CROSS SECTIONS (2)	SHEET: 144 OF 370
STA. 31+50 TO STA. 32+25	