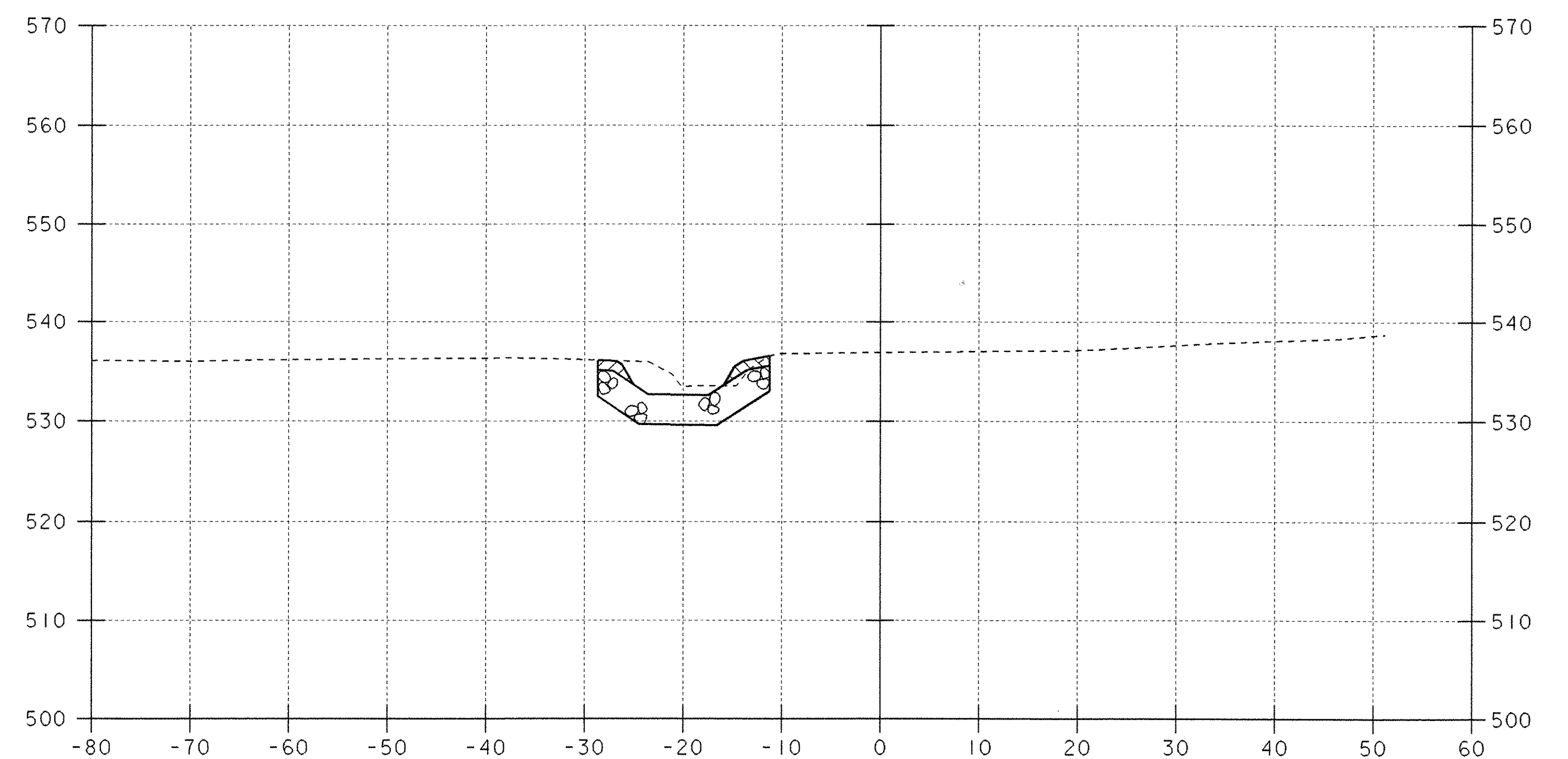


CHANNEL STA. 30+67
 BEGIN STRUCTURE EXCAVATION
 GRANULAR BACKFILL FOR STRUCTURES

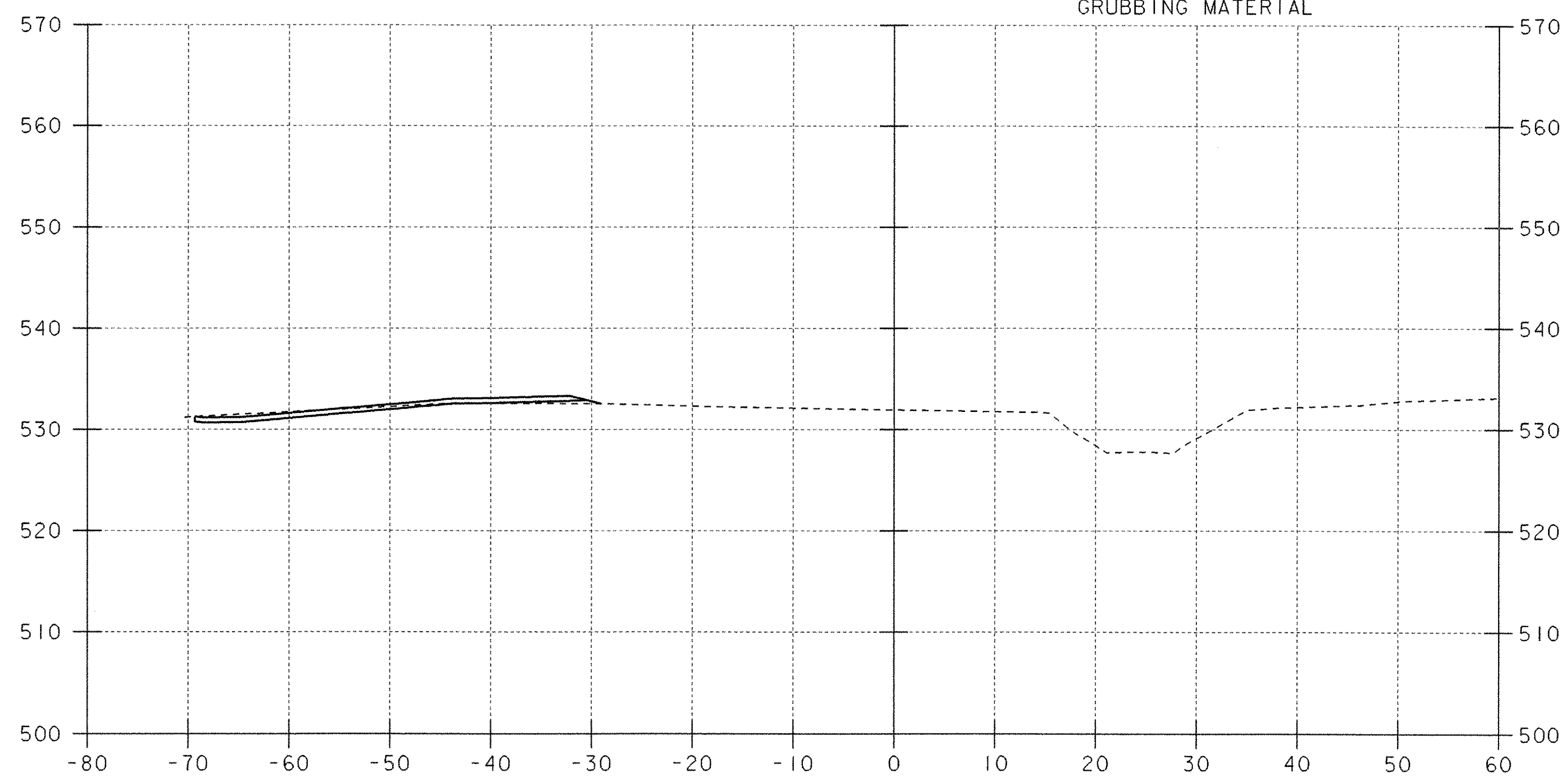
30+75

CHANNEL STA. 30+52
 BEGIN UNCLASSIFIED CHANNEL EXCAVATION
 GEOTEXTILE UNDER STONE FILL
 STONE FILL, TYPE III
 GRUBBING MATERIAL

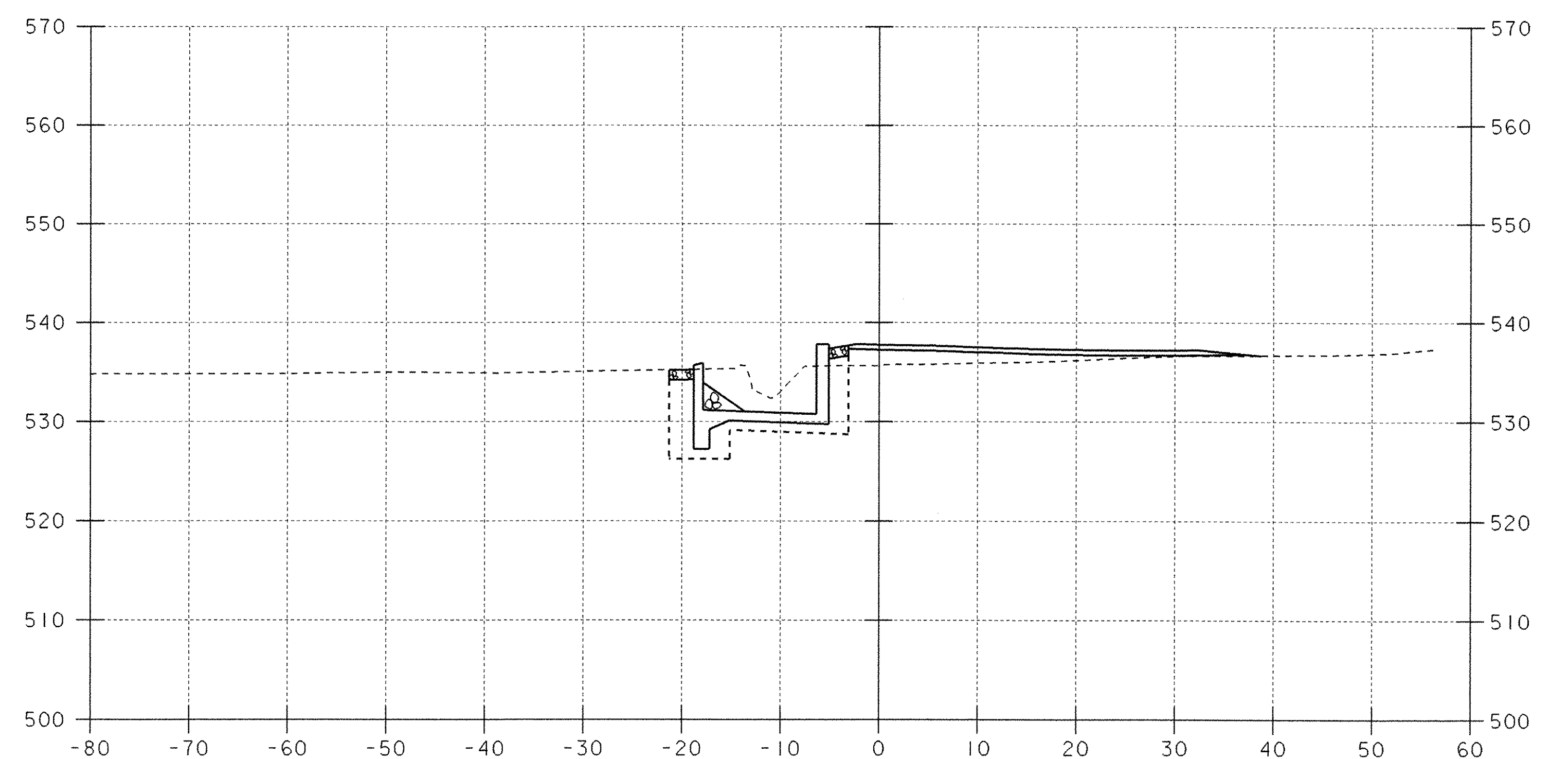


CHANNEL STA. 31+10
 END STRUCTURE EXCAVATION
 GRANULAR BACKFILL FOR STRUCTURES

31+25



30+50



31+00

DATUM
 VERTICAL _____
 HORIZONTAL _____

SCALE 1" = 10'-0"

PROJECT: FAIRFAX-FAIRFIELD-ST. ALBANS	PROJECT NO.: IM 089-3 (27)
DESIGN FILE NAME: \\96a056\Structures\sa056xs4.dgn	PLOT DATE: 21-SEP-2000
IPARM FILE NAME: sa056d03.i	BRIDGE SHEET BR317
CHANNEL CROSS SECTIONS (1)	SHEET: 143 OF 370
STA. 30+50 TO STA. 31+25	