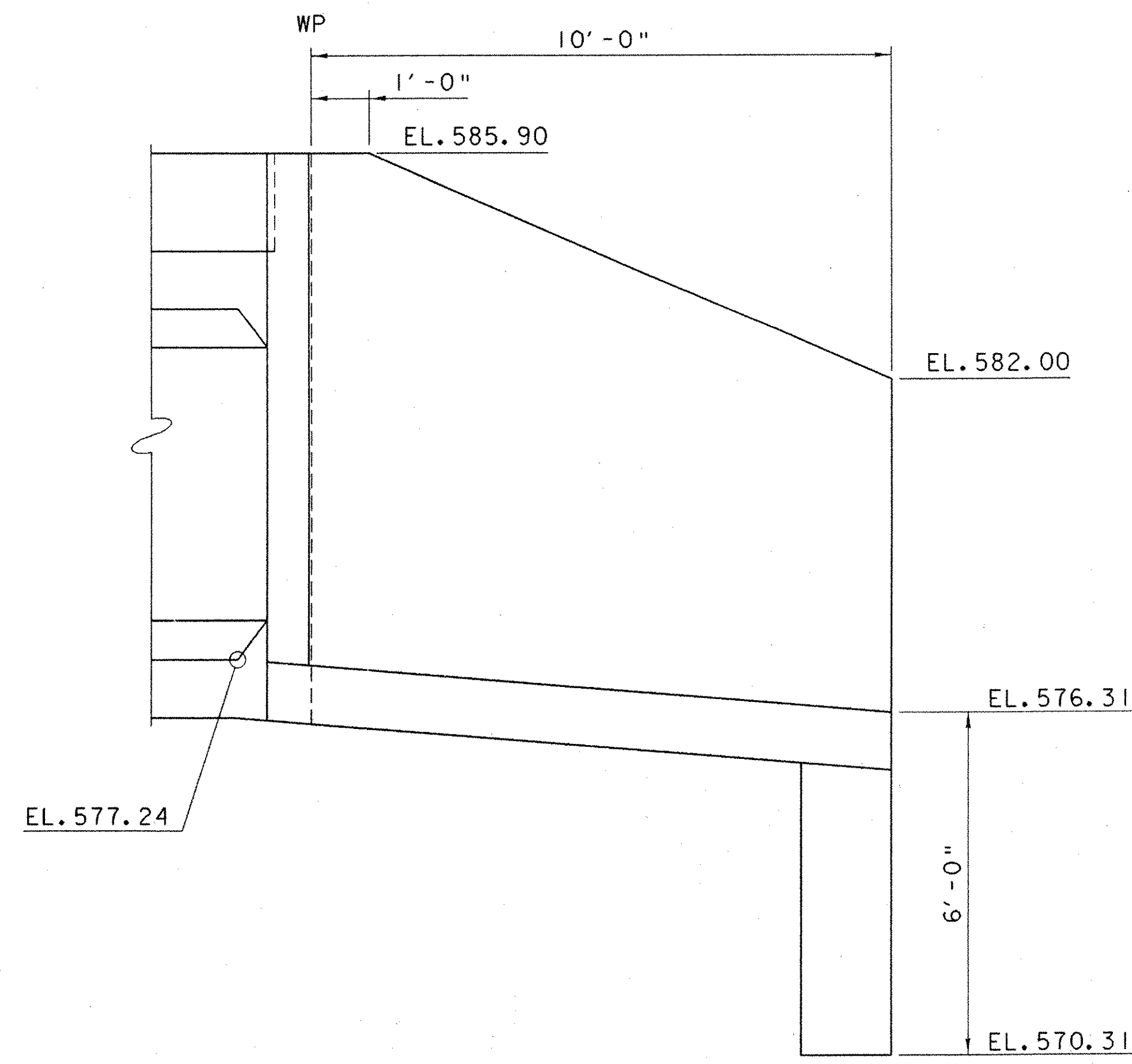


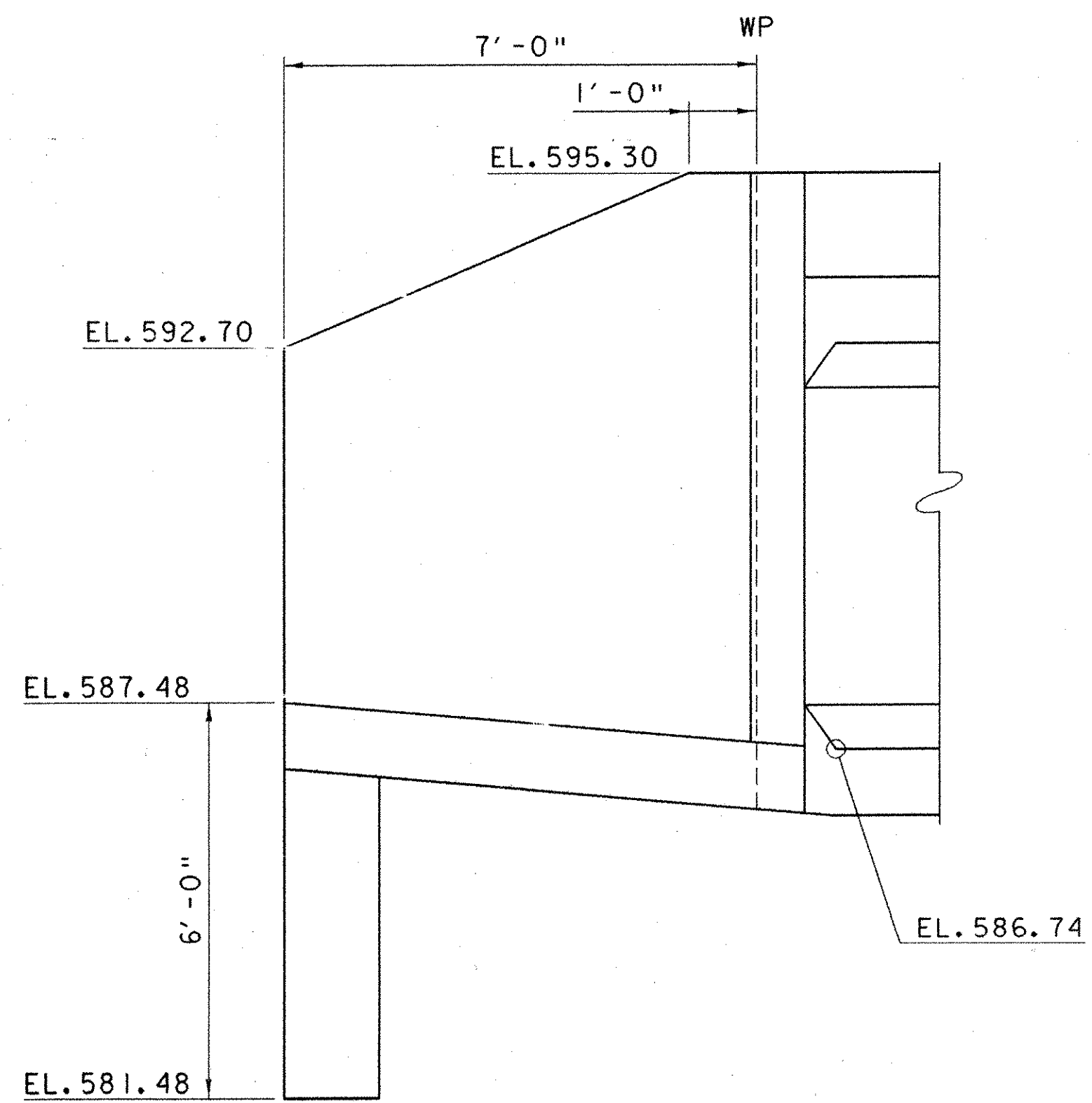
**WINGWALL NO. 9 ELEVATION**

SCALE: 1/2" = 1'-0"



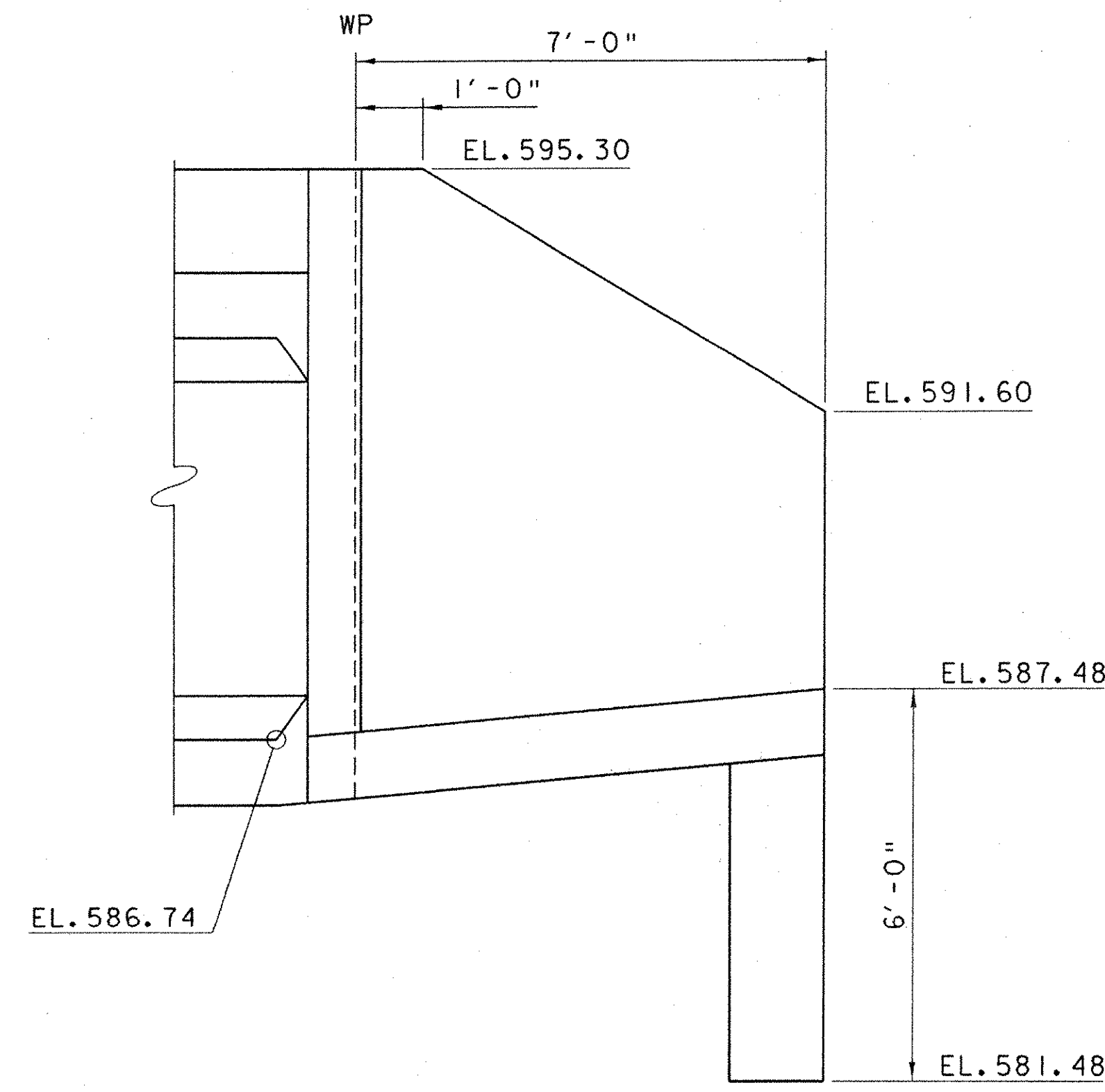
**WINGWALL NO. 10 ELEVATION**

SCALE: 1/2" = 1'-0"



**WINGWALL NO. 12 ELEVATION**

SCALE: 1/2" = 1'-0"



**WINGWALL NO. 11 ELEVATION**

SCALE: 1/2" = 1'-0"

**IMPORTANT NOTE: BRIDGE FINISHED GRADES ARE CENTERLINE GRADES.**

**STATE OF VERMONT  
AGENCY OF TRANSPORTATION**

Town Of <b>FAIRFAX-FAIRFIELD-ST. ALBANS</b>	Bridge No. 87-3 N&S
Highway No. 1-89	Log Sta. Surv. Sta.
<b>1-89 OVER THE RUGG BROOK</b>	
<b>87-3 NORTHBOUND WINGWALL ELEVATIONS</b>	
Designed By G.ROY	Drawn By G.ROY
Checked By M.LOZIER	Bridge Design Supervisor R.R.WHITCOMB
Date 07/00	Date 07/00
PROJECT <b>FAIRFAX-FAIRFIELD-ST. ALBANS</b>	PROJECT NO. <b>1M 089 - 3 (27)</b>
I.G.C. Info. 96a056\structures\sa056ab5.dgn	sa056pb6j
Bridge Sheet No. BR316	Sheet 142 of 370