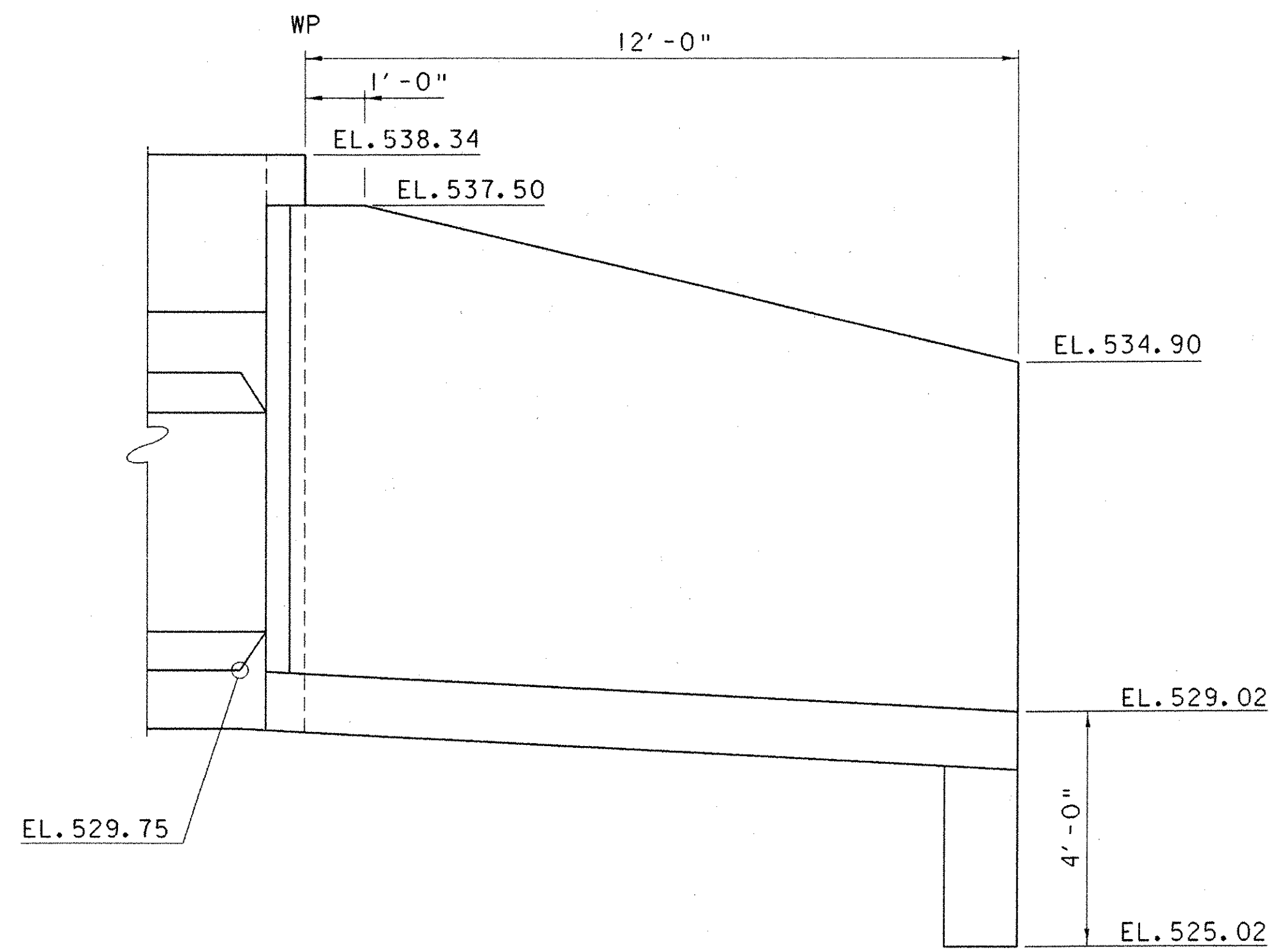


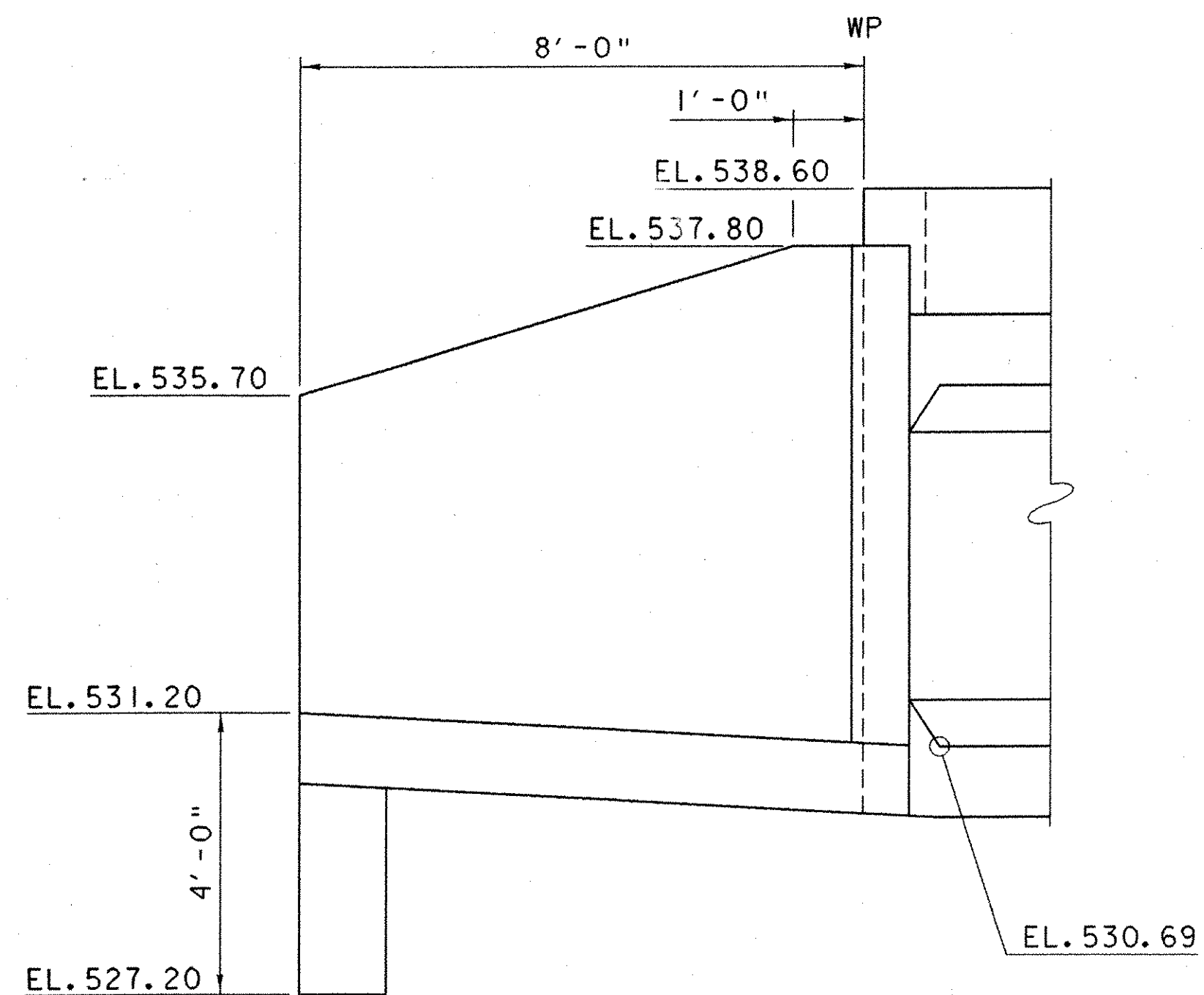
WINGWALL NO. 1 ELEVATION

SCALE: 1/2" = 1'-0"



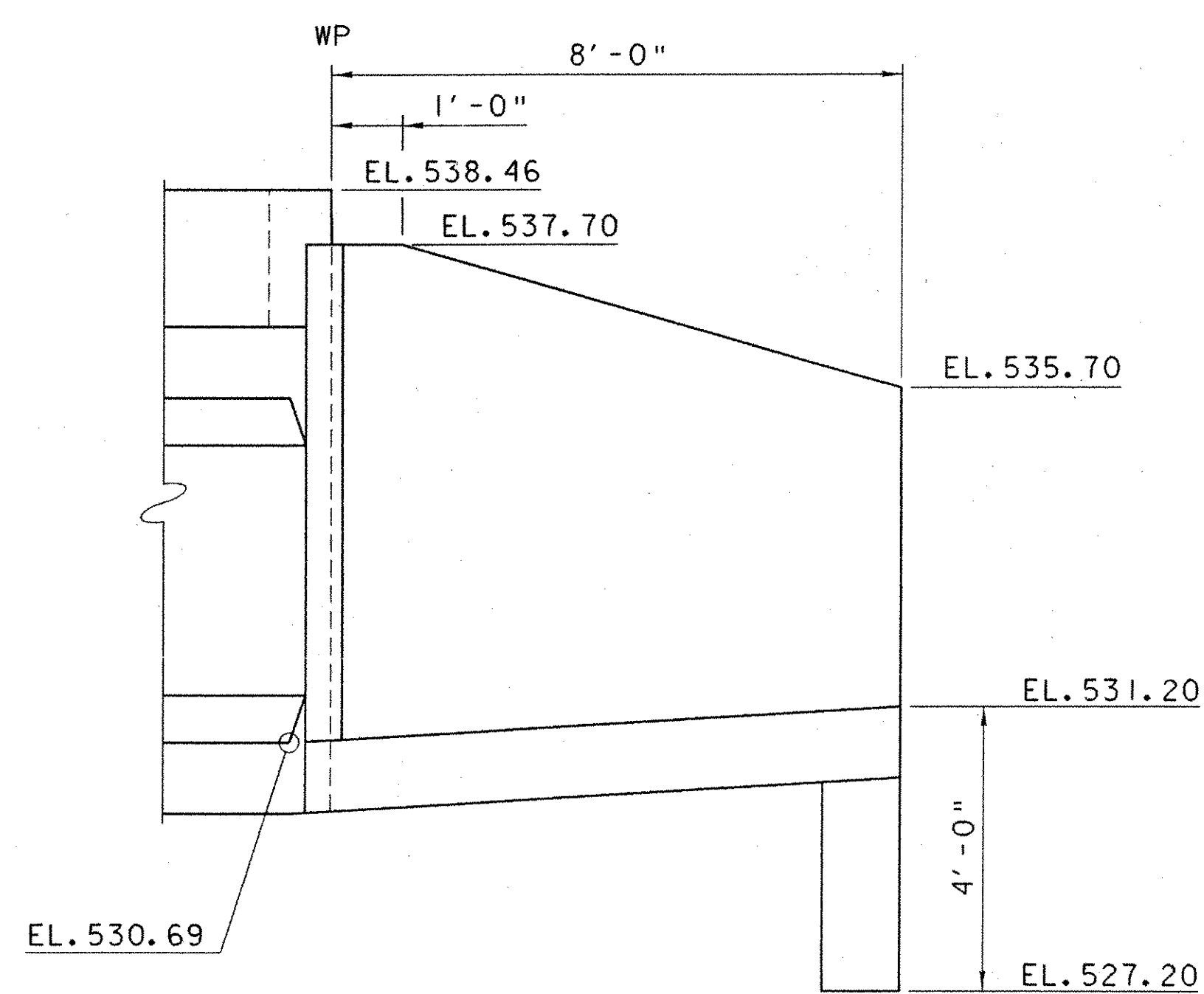
WINGWALL NO. 2 ELEVATION

SCALE: 1/2" = 1'-0"



WINGWALL NO. 4 ELEVATION

SCALE: 1/2" = 1'-0"



WINGWALL NO. 3 ELEVATION

SCALE: 1/2" = 1'-0"

IMPORTANT NOTE: BRIDGE FINISHED GRADES ARE CENTERLINE GRADES.

**STATE OF VERMONT
AGENCY OF TRANSPORTATION**

Town Of FAIRFAX-FAIRFIELD-ST. ALBANS	Bridge No. 87-3 N&S
Highway No. 1-89	Log Sta. Surv. Sta.
1-89 OVER THE RUGG BROOK	
DRIVE WINGWALL ELEVATIONS	
Designed By G.ROY	Drawn By G.ROY
Checked By M.LOZIER	Bridge Design Supervisor R.R.WHITCOMB
Date 07/00	Date 07/00
PROJECT FAIRFAX-FAIRFIELD-ST. ALBANS	PROJECT NO. 1M 089 - 3 (27)
I.G.C. Info. 96a056\structures\sa056ab5.dgn	sa056pb21
Bridge Sheet No. BR312	Sheet 138 of 370