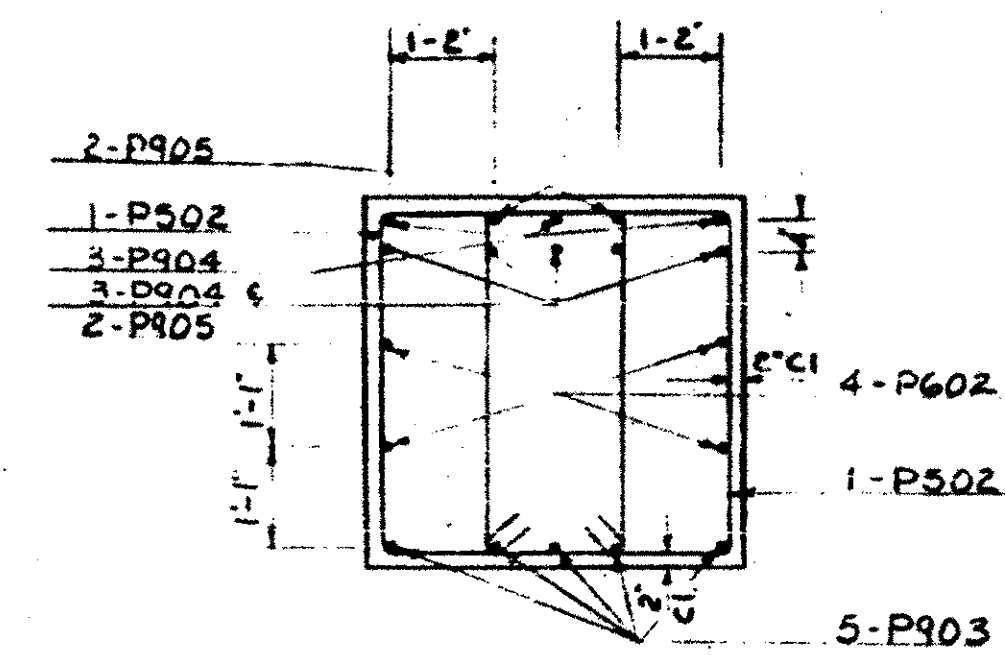
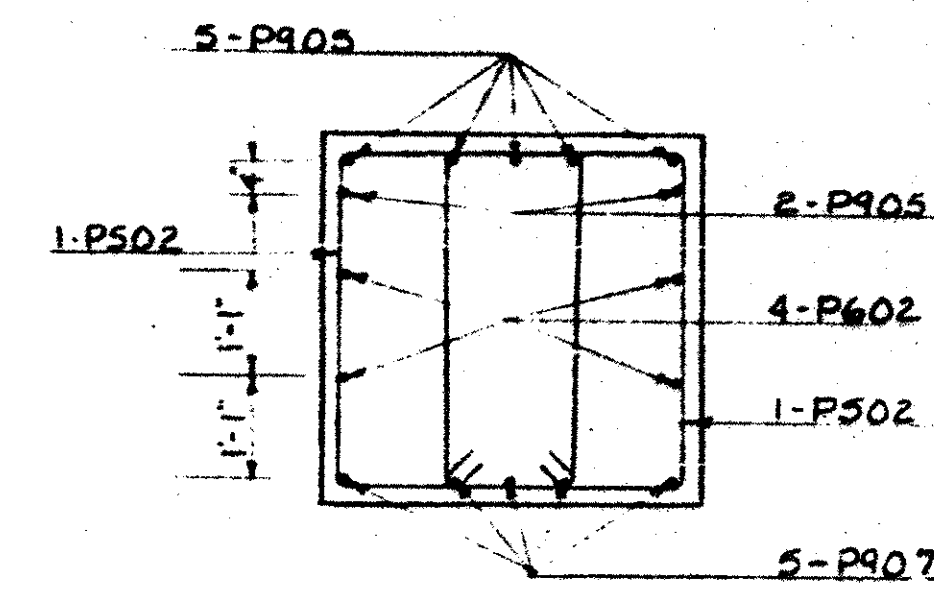


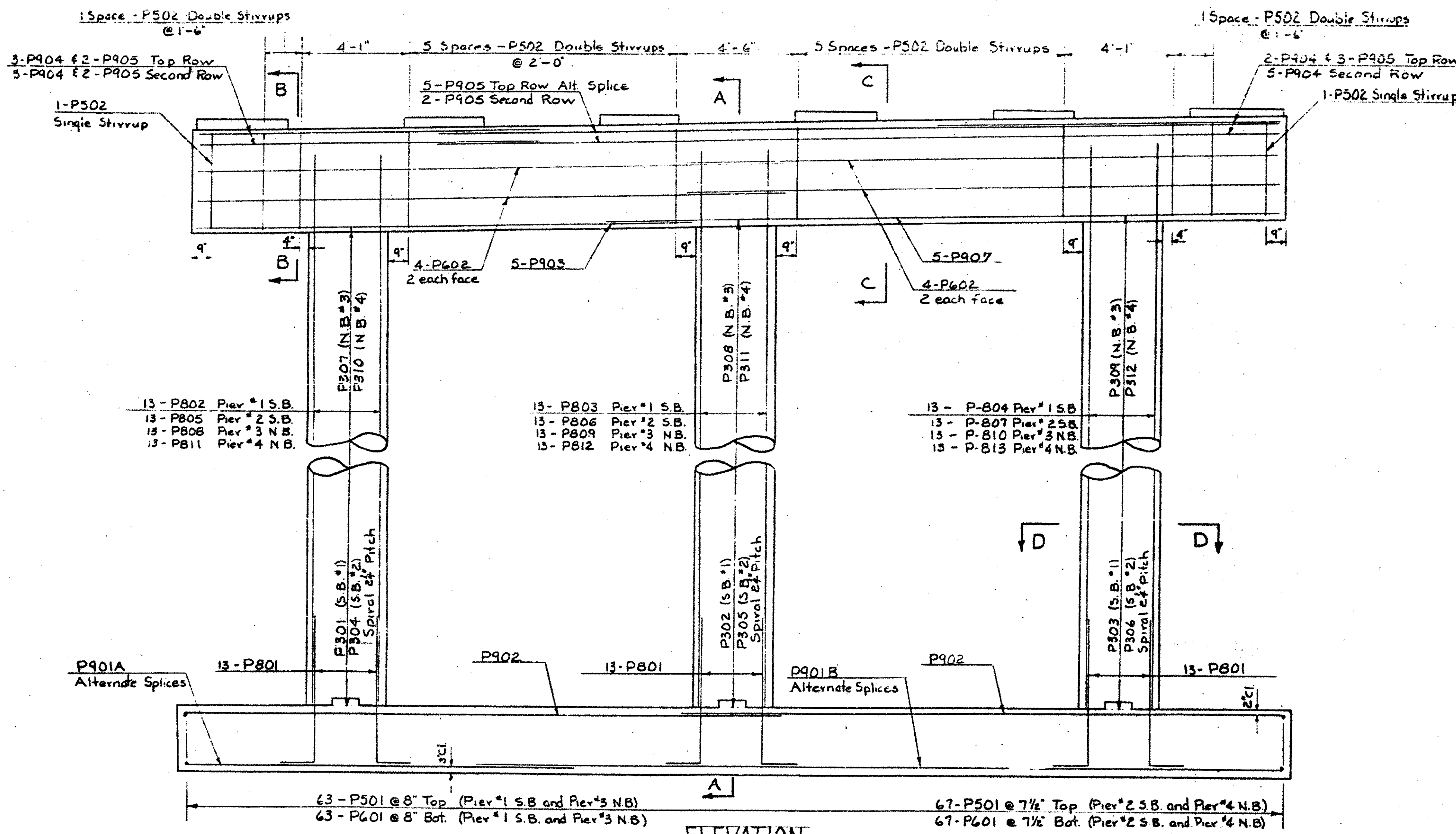
CAP REINFORCING PLAN
Scale: 3/8" = 1'-0"



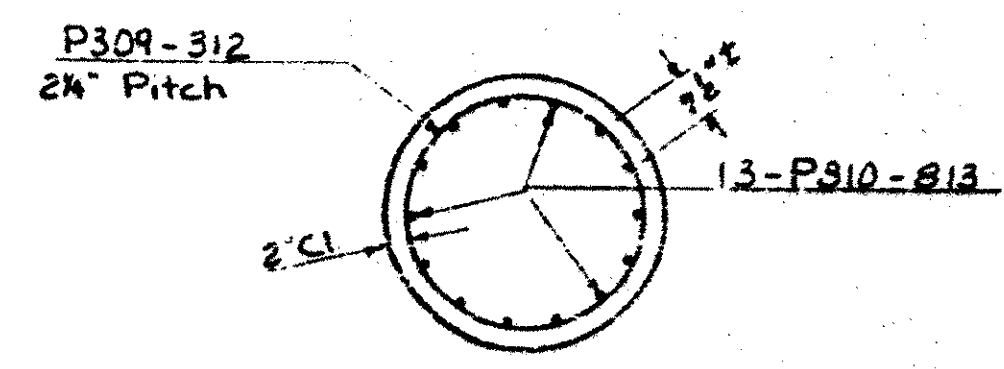
SECTION B-B
Scale: 1/2" = 1'-0"



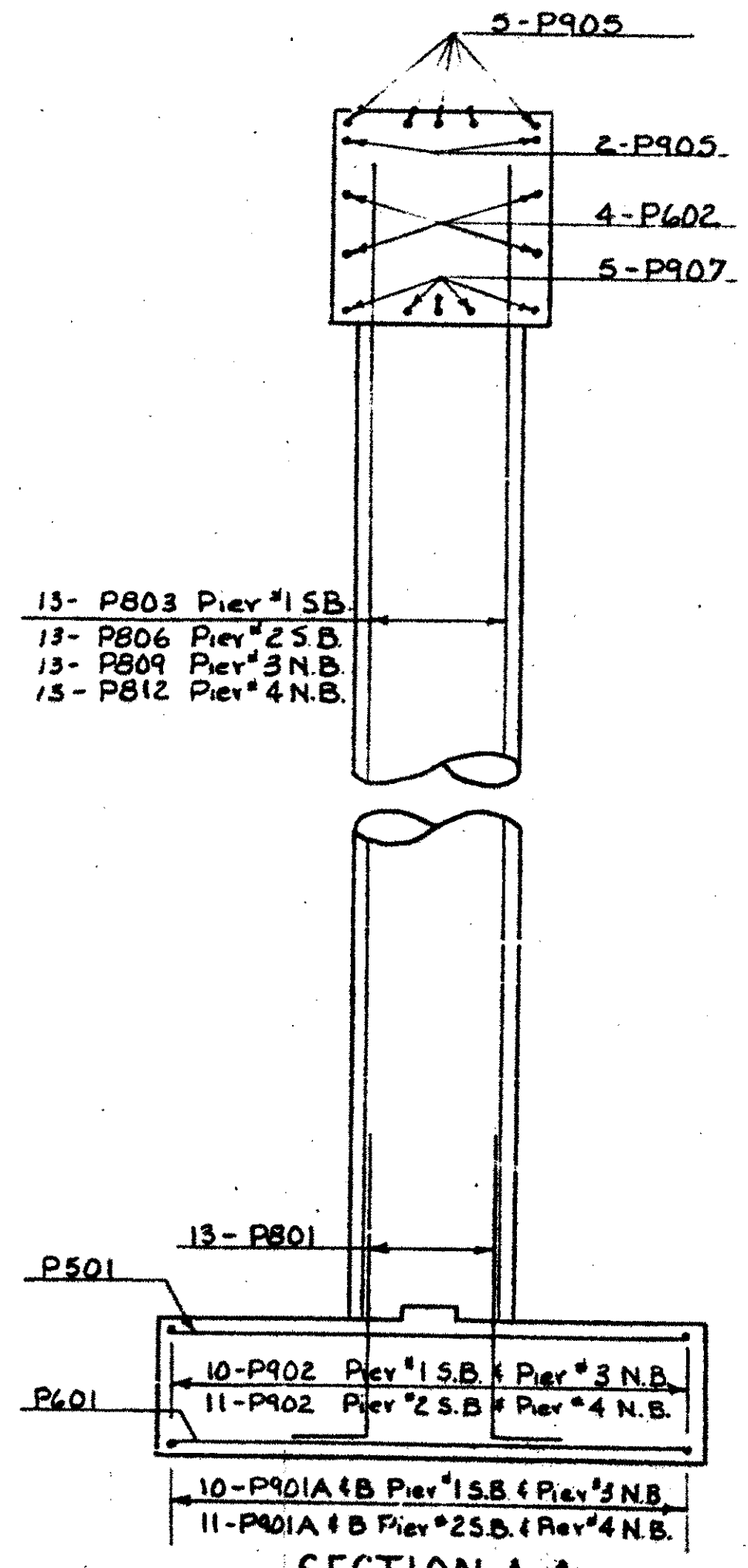
SECTION C-C
Scale: 1/2" = 1'-0"



ELEVATION
Scale: 3/8" = 1'-0"



SECTION D-D
Scale: 1/2" = 1'-0"



SECTION A-A
Scale: 3/8" = 1'-0"

Stage 1 Construction
CONTRACT 2
BRIDGE SHEET BR247
REFERENCE SHEET 9 OF 9
SHEET 125 OF 370
TOWN OF Georgia Fairfax Fairfield
ROUTE NO. I89 - St-Albans
Pier Reinforcing Details
I89 over Vt 104 54-B4
SCALE: As noted
SURVEYED BY _____
DRAWN BY R.A.Q. CHECKED BY W.M.S.
PROJECT NO. I89-3(35) Cont. #2
SHEET 176 OF 462

BR-115 BRB7 N+S