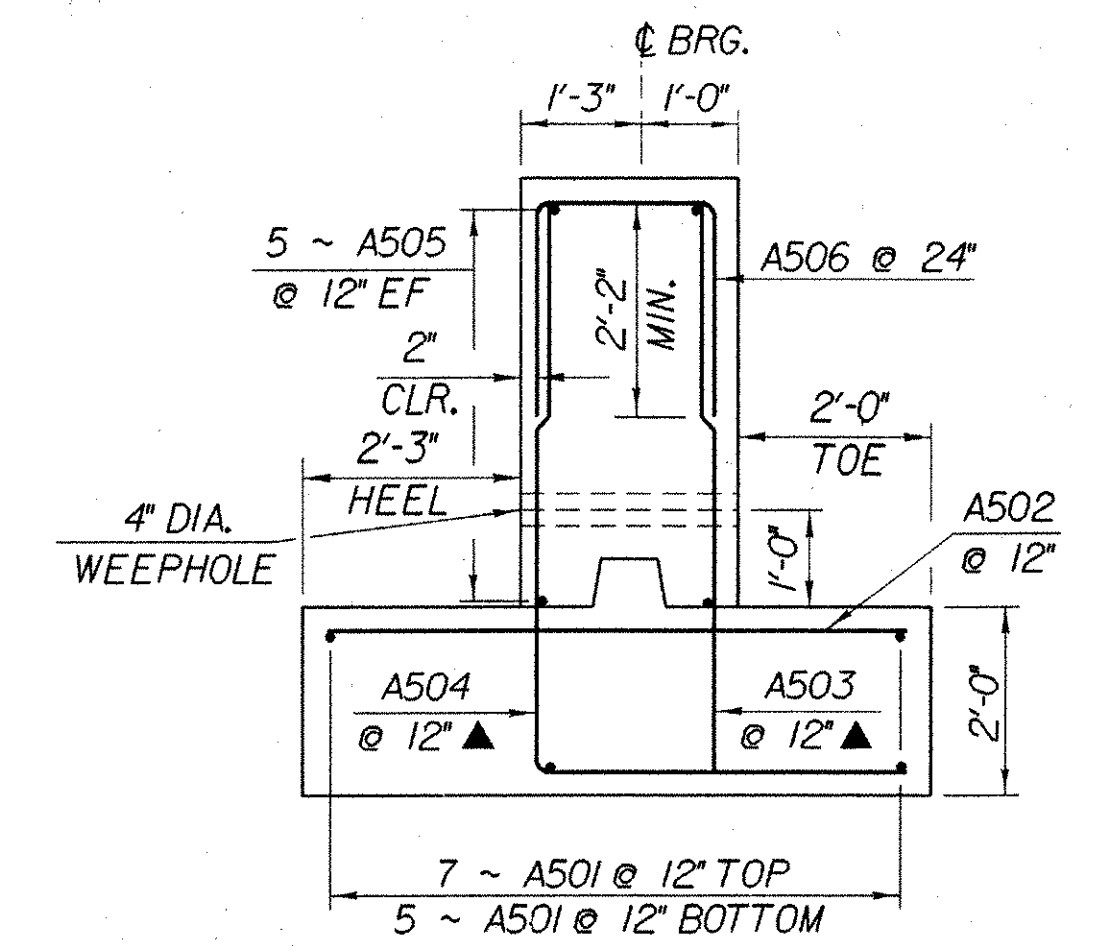
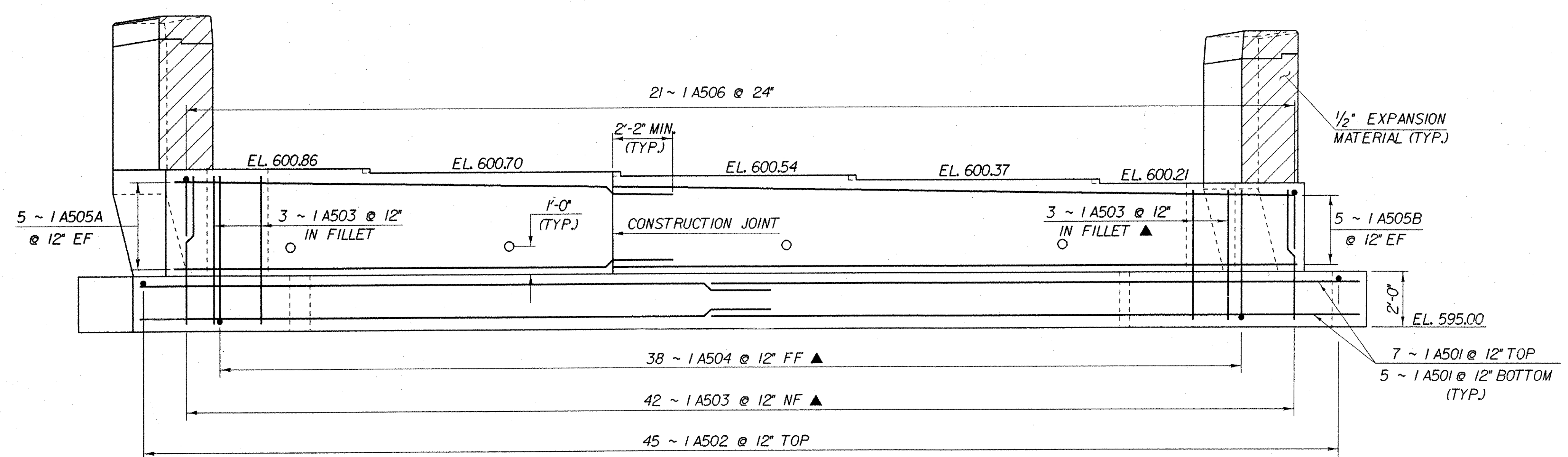


**ABUTMENT NO. 1 PLAN**  
SCALE: 3/8" = 1'-0"



**ABUTMENT TYPICAL**  
SCALE: 1/2" = 1'-0"



**ABUTMENT NO. 1 ELEVATION**  
SCALE: 3/8" = 1'-0"

**NOTE:**

- NF - NEAR FACE
- FF - FAR FACE
- EF - EACH FACE
- ▲ - CUT TO FIT IN FIELD
- 3" CLR. UNLESS OTHERWISE SPECIFIED ON THE PLANS.

**IMPORTANT NOTE: BRIDGE FINISHED GRADES ARE CENTERLINE GRADES.**

<b>STATE OF VERMONT AGENCY OF TRANSPORTATION</b>	
Town Of <b>FAIRFAX-FAIRFIELD-ST. ALBANS</b>	Bridge No. 875
Highway No. <b>1-89</b>	Log Sta. Surv. Sta.
<b>1-89 OVER VT 104</b>	
<b>ABUTMENT NO. 1 DETAILS</b>	
Designed By <b>M. LOZIER</b>	Drawn By <b>K. CHISHOLM</b>
Checked By <b>GROY</b>	Bridge Design Supervisor
Date <b>10/99</b>	Date <b>11/99</b>
PROJECT <b>FAIRFAX-FAIRFIELD-ST. ALBANS</b>	PROJECT NO. <b>1M 089 - 3 (27)</b>
I.G.C. Info. <b>94\1106\Structures\1106abdgn</b>	so056ab1
Bridge Sheet No. <b>BR220</b>	Sheet <b>98</b> of <b>370</b>