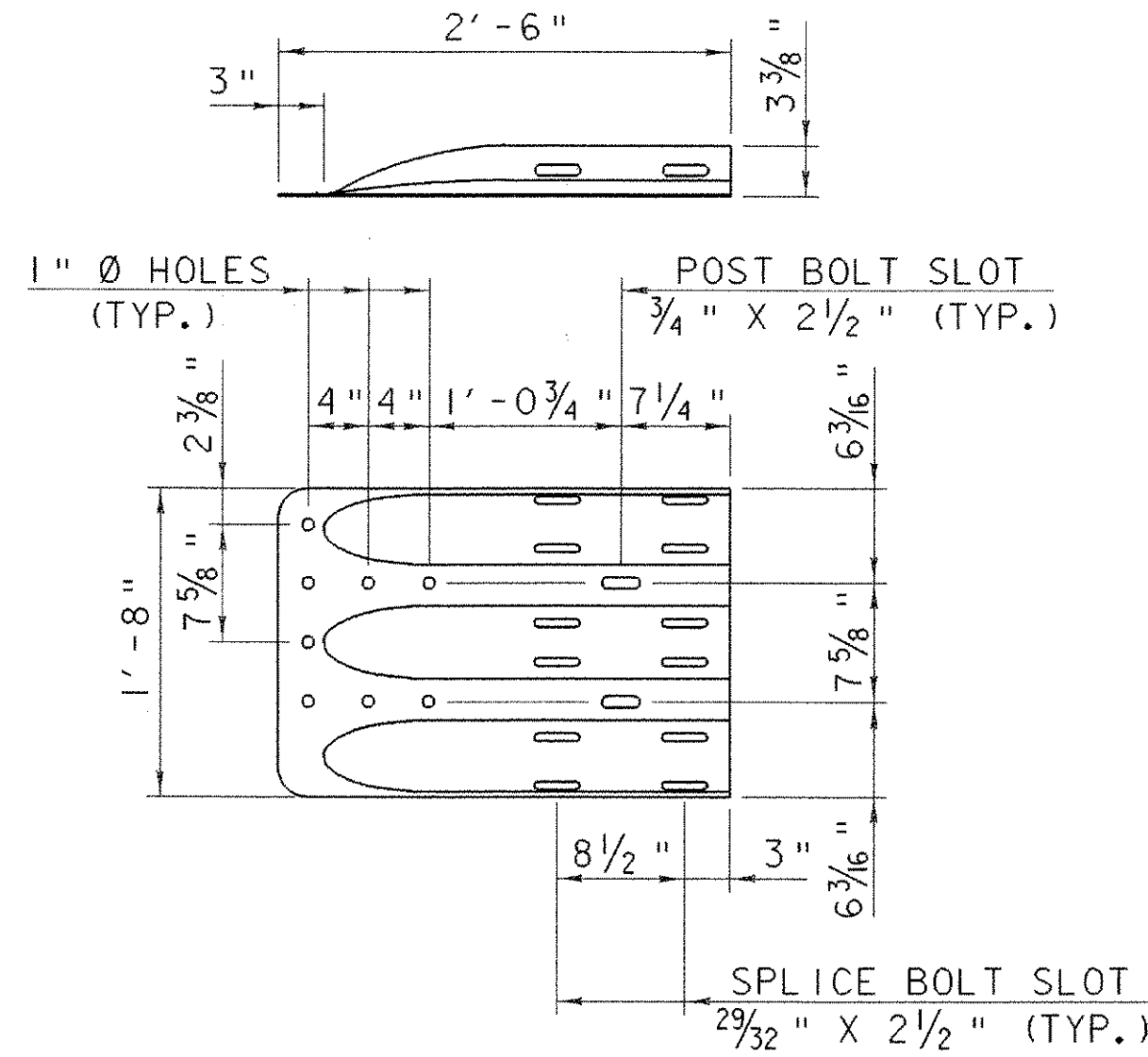
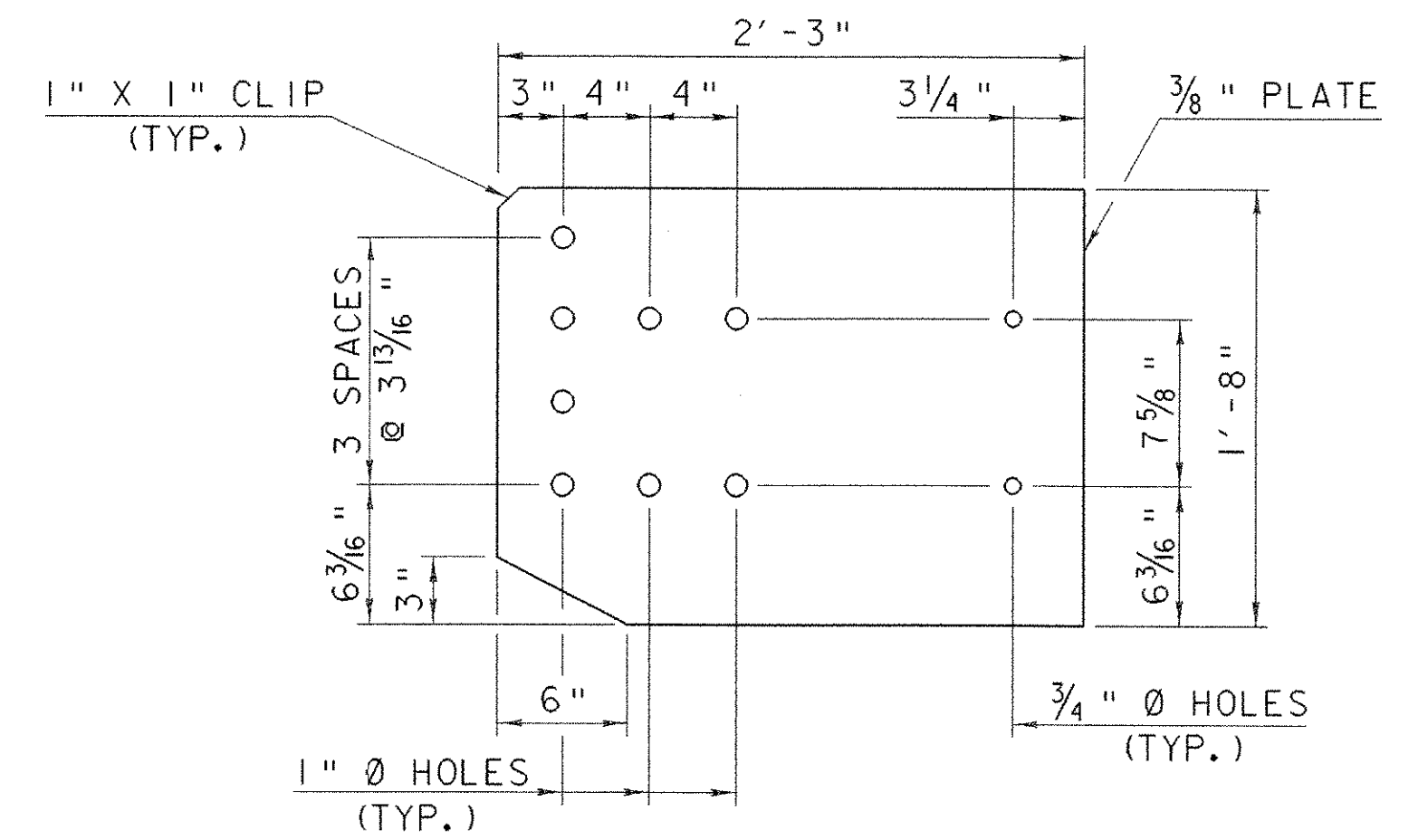


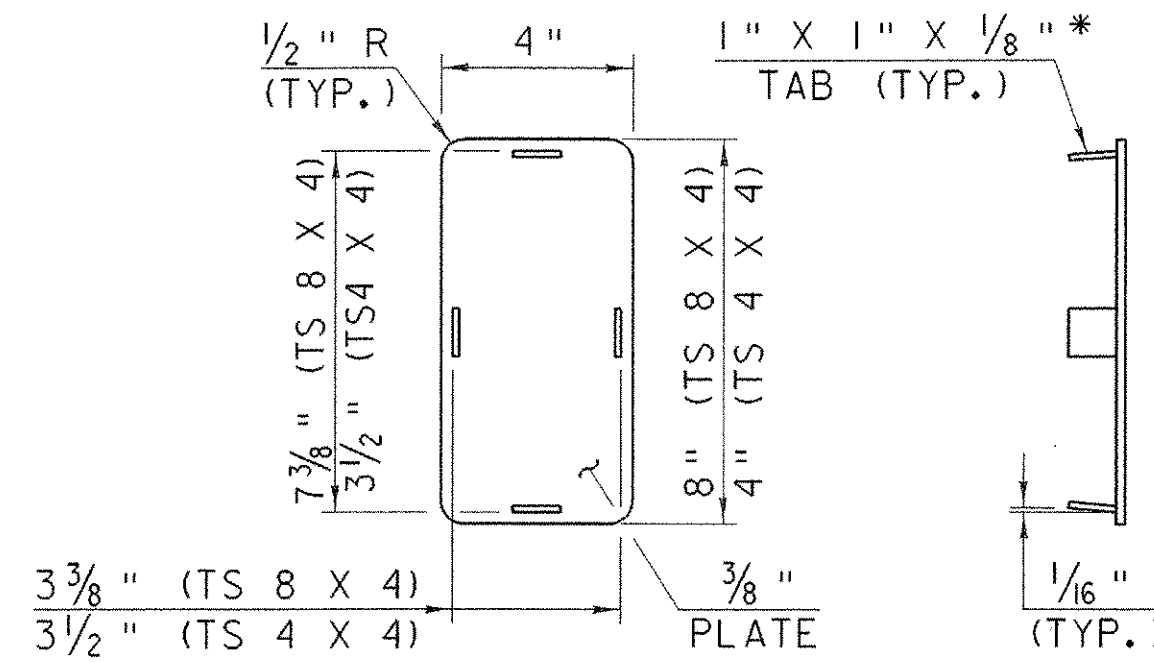
**SECTION B-B**  
SCALE: 1" = 1'-0"



**THRIE-BEAM TERMINAL CONNECTOR**  
SCALE: 1" = 1'-0"

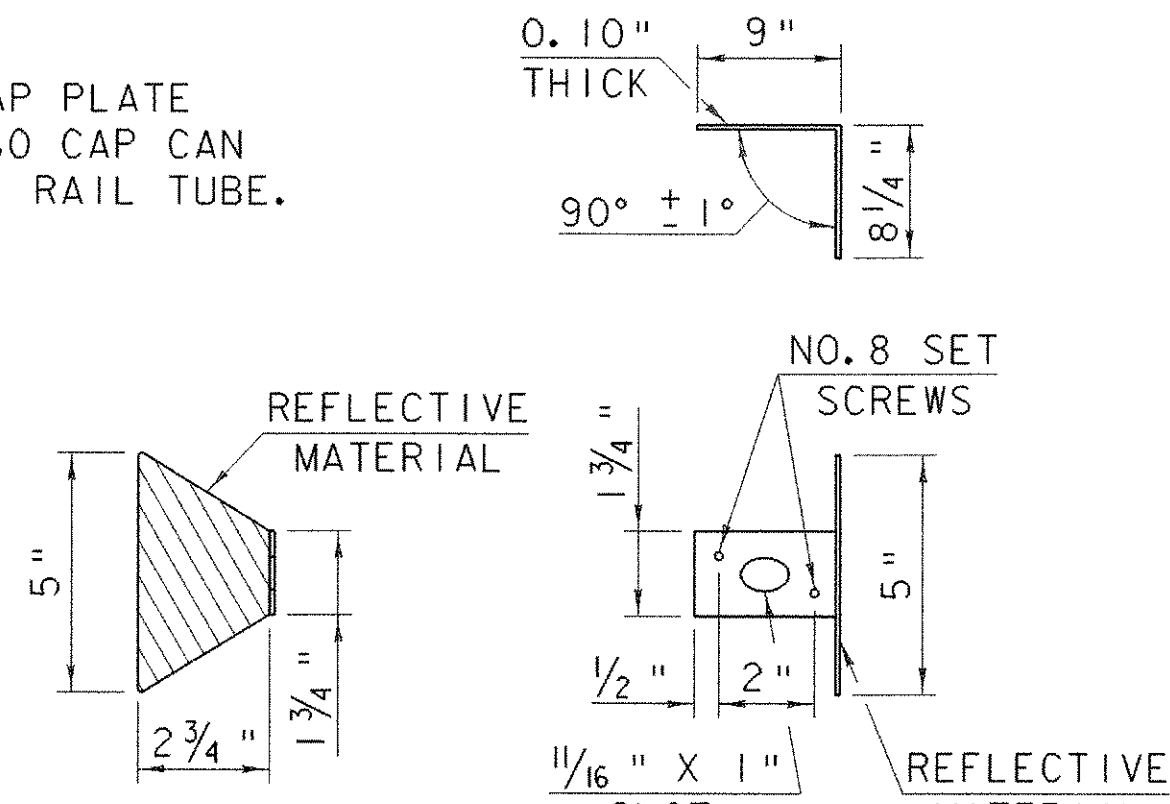


**CONNECTION PLATE**  
SCALE: 1/2" = 1'-0"

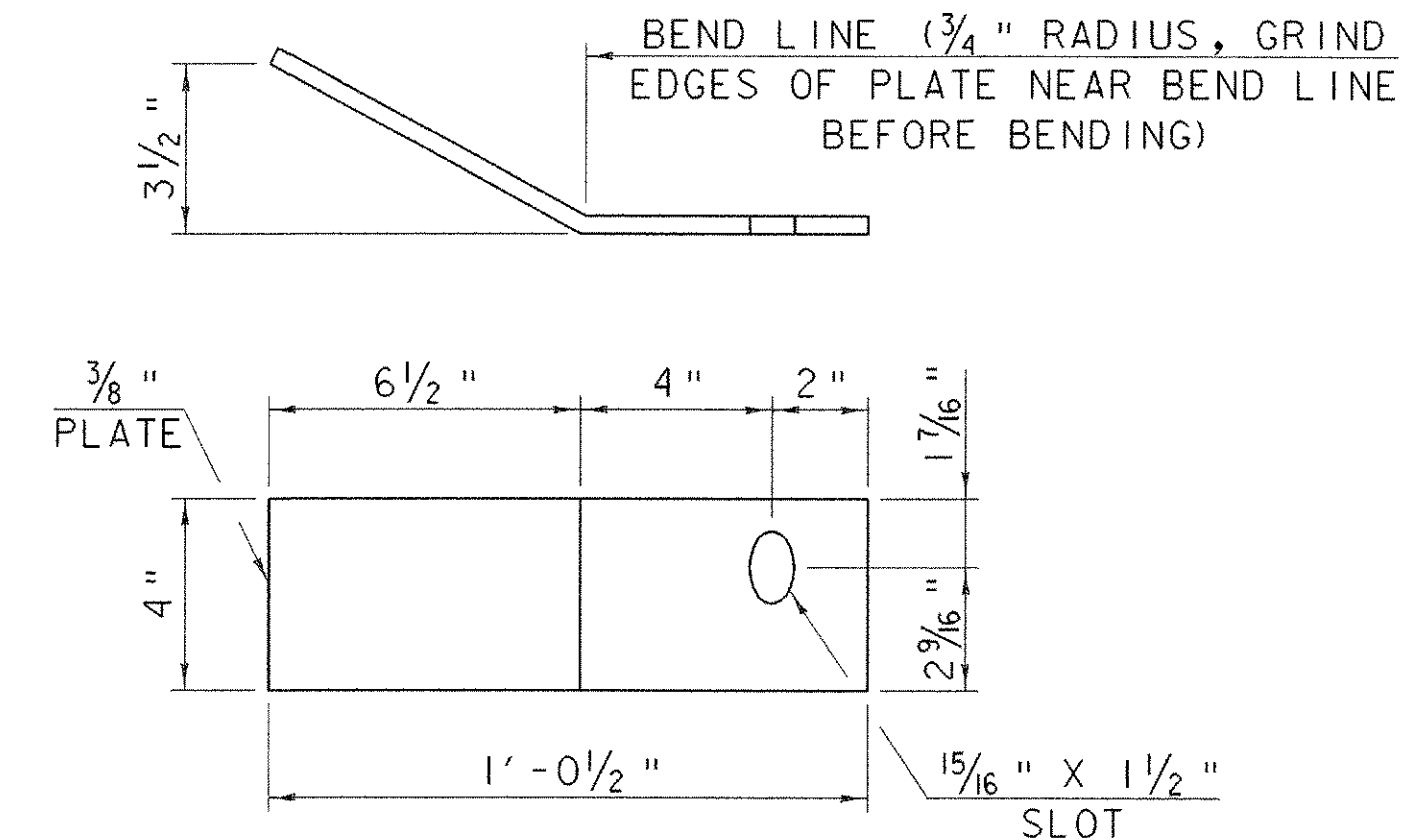


**END CAP DETAIL**  
SCALE: 3" = 1'-0"

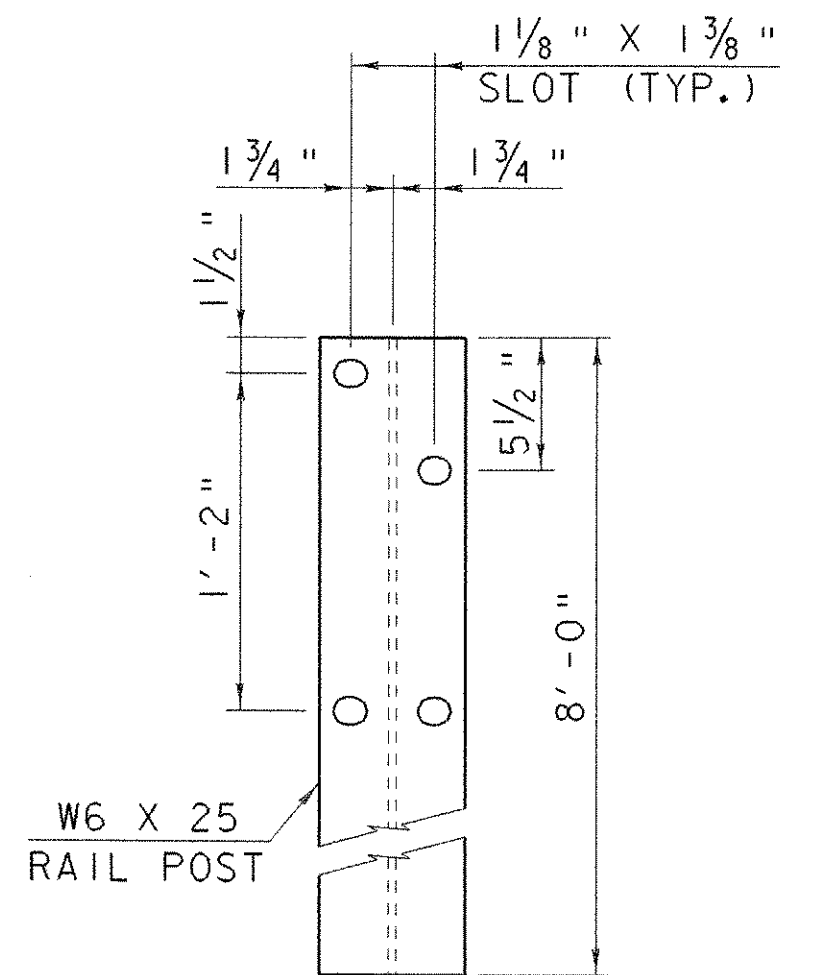
\* WELD TABS TO END CAP PLATE IN TAPERED POSITION SO CAP CAN BE JAMMED INTO END OF RAIL TUBE.



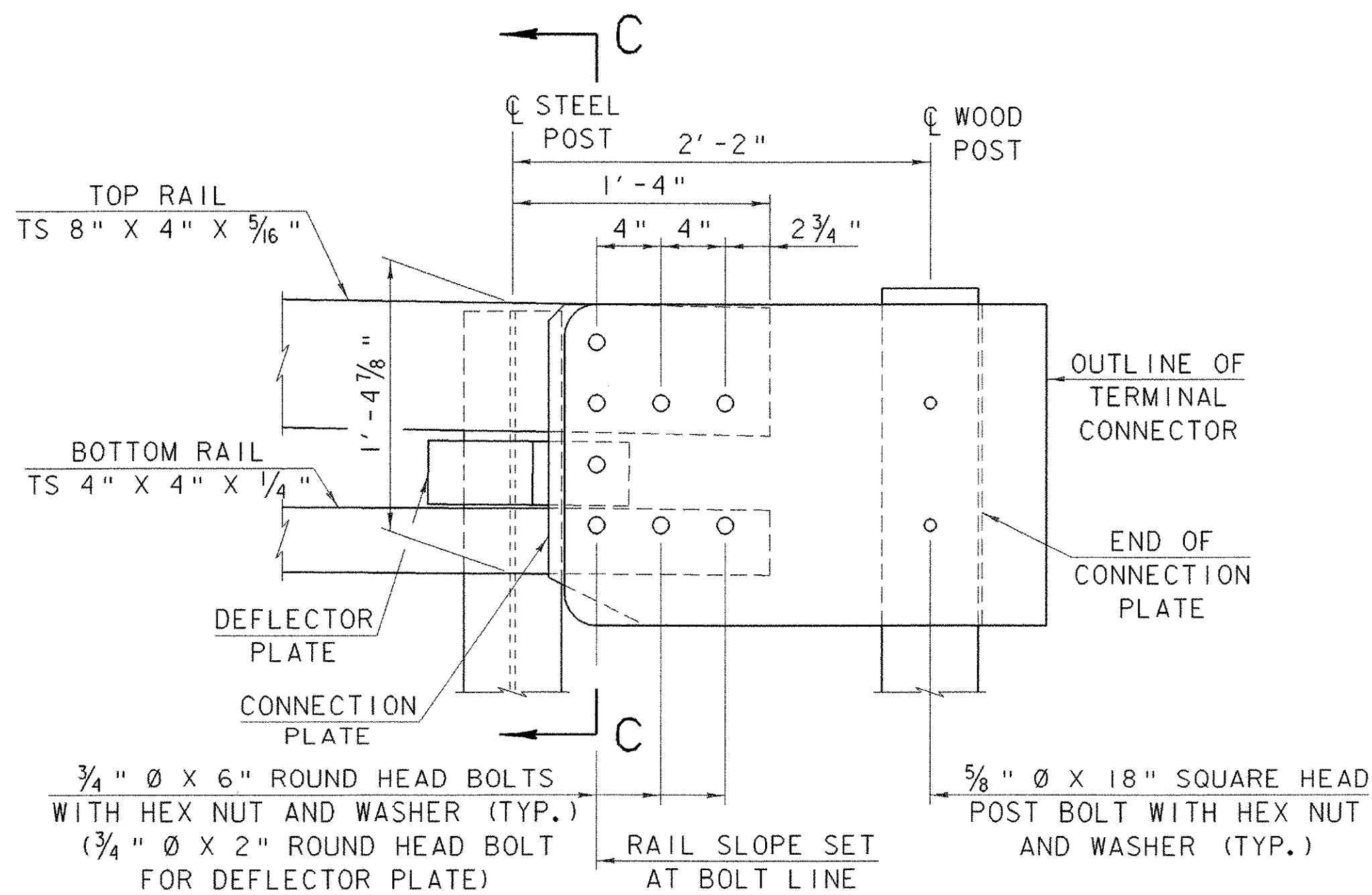
**DELINEATION DEVICE DETAIL**  
SCALE: 3" = 1'-0"



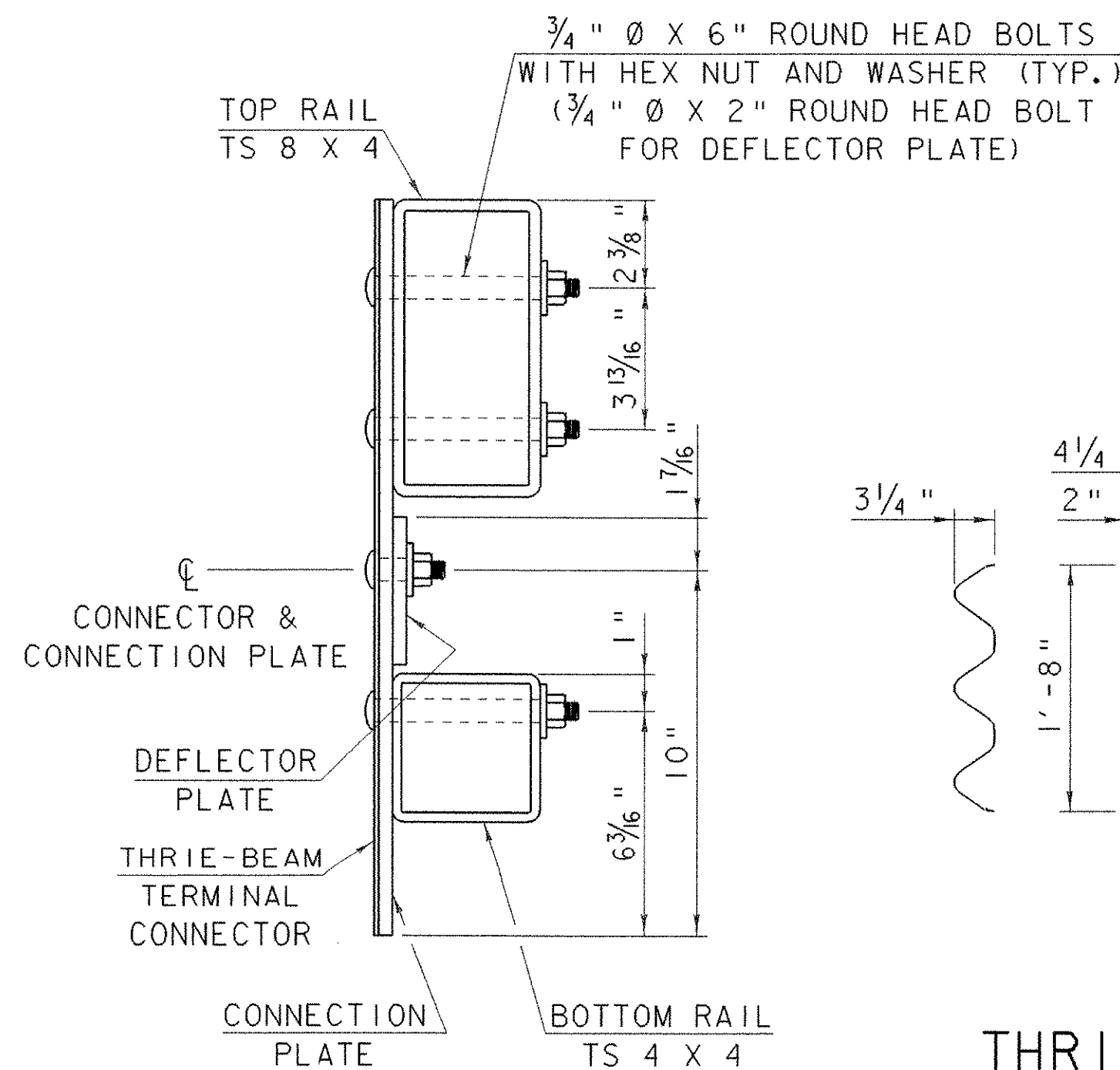
**DEFLECTOR PLATE DETAIL**  
SCALE: 3" = 1'-0"



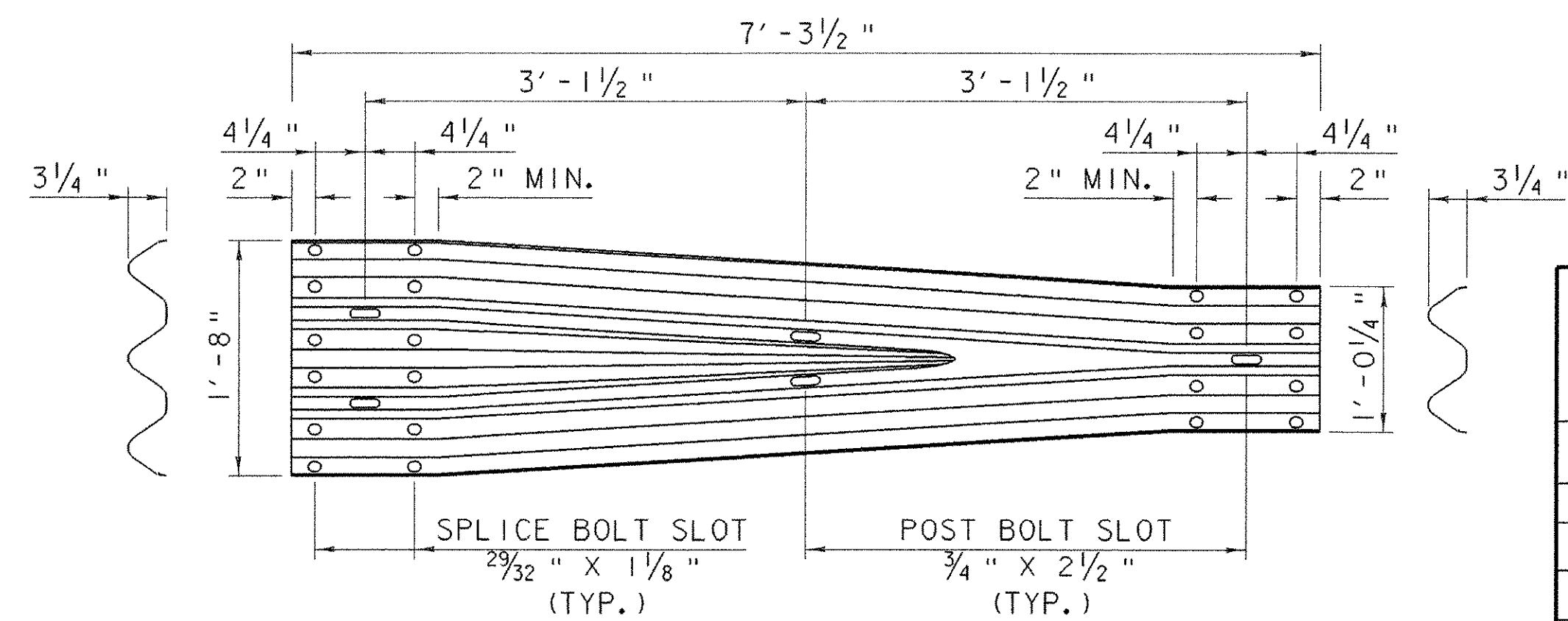
**RAIL POST**  
SCALE: 1/2" = 1'-0"



**DETAIL "C"**  
SCALE: 1/2" = 1'-0"



**SECTION C-C**  
SCALE: 3" = 1'-0"



**THRIE-BEAM TO W-BEAM TRANSITION SECTION**  
SCALE: 1" = 1'-0"

<b>STATE OF VERMONT AGENCY OF TRANSPORTATION</b>	
Town Of <b>FAIRFAX-FAIRFIELD-ST. ALBANS</b>	Bridge No. <b>87 N &amp; S</b>
Highway No. <b>1-89</b>	Log Sta. Surv. Sta.
<b>1-89 OVER VT 104</b>	
<b>NETC RAIL DETAILS (3)</b>	
Designed By <b>G. ROY</b>	Drawn By <b>G. ROY</b>
Checked By <b>M. LOZIER</b>	Bridge Design Supervisor <b>R. R. WHITCOMB</b>
Date <b>2/00</b>	Date <b>2/00</b>
PROJECT <b>FAIRFAX-FAIRFIELD-ST. ALBANS</b>	PROJECT NO. <b>1M 089 -3 (27)</b>
I.G.C. Info. <b>96a056Structures\sa056br1.dgn</b>	sa056ra3j
Bridge Sheet No. <b>BR218</b>	Sheet <b>96</b> of <b>370</b>